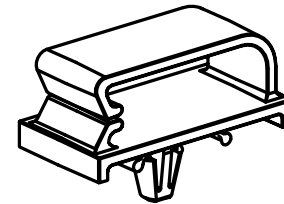
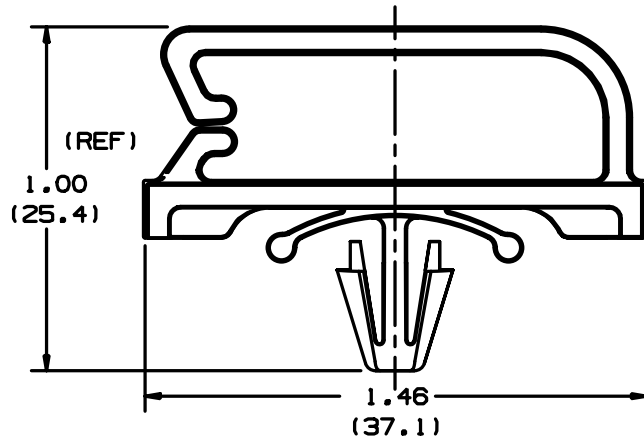
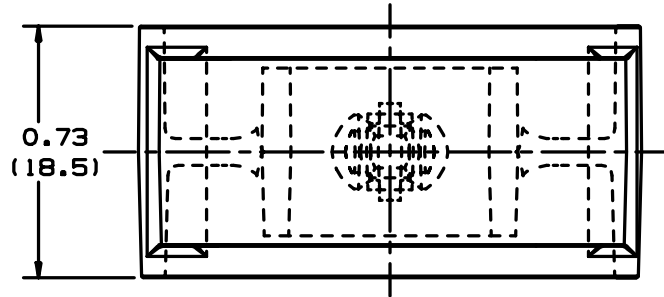


THIS COPY IS PROVIDED ON A RESTRICTED BASIS AND IS NOT TO BE USED IN ANY WAY DETRIMENTAL TO THE INTERESTS OF PANDUIT CORP.

PANDUIT PART NO. *	PANEL DIMENSIONS		WEIGHT LBS. / (g) / 100 PCS.
	THICKNESS	HOLE SIZE	
BECP38H25	0.075 (1.9) MAX.	0.25 (6.4)	0.88 (400) ©



SCALE: FULL

(DIMENSIONS IN PARENTHESES ARE IN METRIC.)

CAD FILENAME/LAYERS G002391B_PB_BECP38H25_01

PANDUIT

CORP. TINLEY PARK, ILLINOIS

BECP38H25
BEVEL ENTRY CLIP

UNLESS OTHERWISE SPECIFIED,
DIMENSIONAL TOLERANCES ARE:
(.X) ± N/A (.XXX) ± N/A
(.XX) ± .020 (.5) ANGLES ± 5°

UNLESS OTHERWISE SPECIFIED,
ALL DIMENSIONS ARE GIVEN
IN INCHES, THIRD ANGLE PROJECTION.

REV	DATE	BY	CHK	DESCRIPTION	ECN	R	CUST	SUP
I	4/21/04	JAD		PANEL THICKNESS WAS .09(2.3) MAX	G802391B	I		
R	2/28/02	LGG		INITIAL RELEASE TRANSFER FROM DRAWING NUMBER G-01801	G802391B	R		

DRAWN BY LGG

MAT'L:

SCALE 2X

DATE
02-26-02

6/6 NYLON

DRAWING NO.

G802391B

DWG

A

SIZE