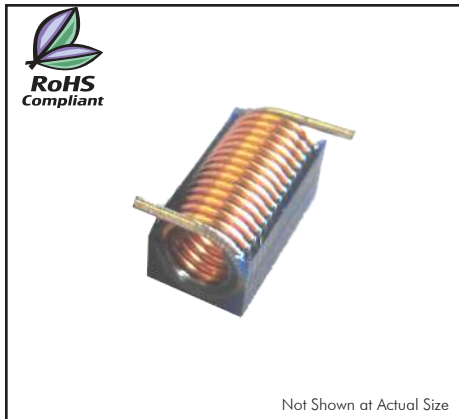


CT1812SMSF Series

From 22 nH to 120 nH



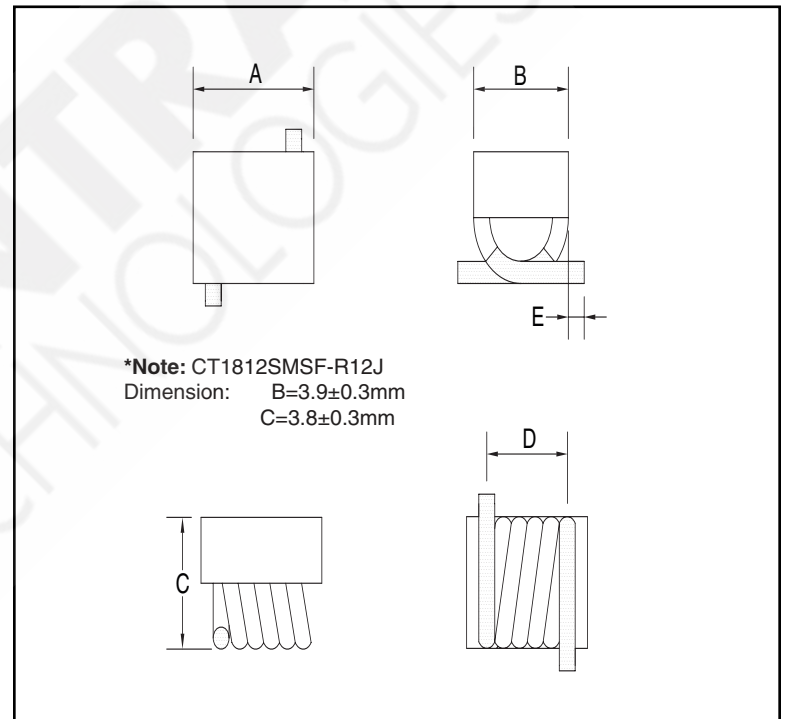
SPECIFICATIONS

Part numbers indicate available tolerance.
J = ±5%, K = ±10%

Part Number	Inductance (nH)	Q Min.	Test Freq. (MHz)	SRF Min. (GHz)	DCR Typ. (mΩ)	IDC Max. (A)
CT1812SMSF-22NK	22	100	150	3.20	4.7	3.2
CT1812SMSF-27NK	27	100	150	2.70	4.4	3.5
CT1812SMSF-33NK	33	100	150	2.50	5.7	3.0
CT1812SMSF-39NJ	39	100	150	2.10	5.4	2.8
CT1812SMSF-47NJ	47	100	150	2.10	6.7	2.8
CT1812SMSF-56NJ	56	100	150	1.50	6.3	2.9
CT1812SMSF-68NJ	68	100	150	1.50	7.8	2.9
CT1812SMSF-82NJ	82	100	150	1.30	8.7	2.6
CT1812SMSF-R10J	100	100	150	1.20	9.8	2.5
CT1812SMSF-R12J	120	100	150	1.10	10.7	2.2

PHYSICAL DIMENSIONS

Size	A	*B	*C	D	E
mm	4.7 ±0.3	3.5 ±0.2	3.5 ±0.2	4.3 ±0.4	1.0 ±0.3
inches	0.185 ±0.012	0.138 ±0.008	0.138 ±0.008	0.169 ±0.016	0.039 ±0.012



CHARACTERISTICS

- Description:** SMD air core inductor
- Applications:** Pagers, cordless phones, high frequency communication products, intercom, CATV
- Inductance Tolerance:** ±5%, ±10%
- Testing:** Inductance is tested on an HP4287A at 150MHz
- Operating Temperature:** -40°C to +85°C
- Packaging:** Tape & Reel
- Miscellaneous:** **RoHS Compliant.**
- Additional Information:** Additional electrical & physical information available upon request
- Samples available.** See website for ordering information.