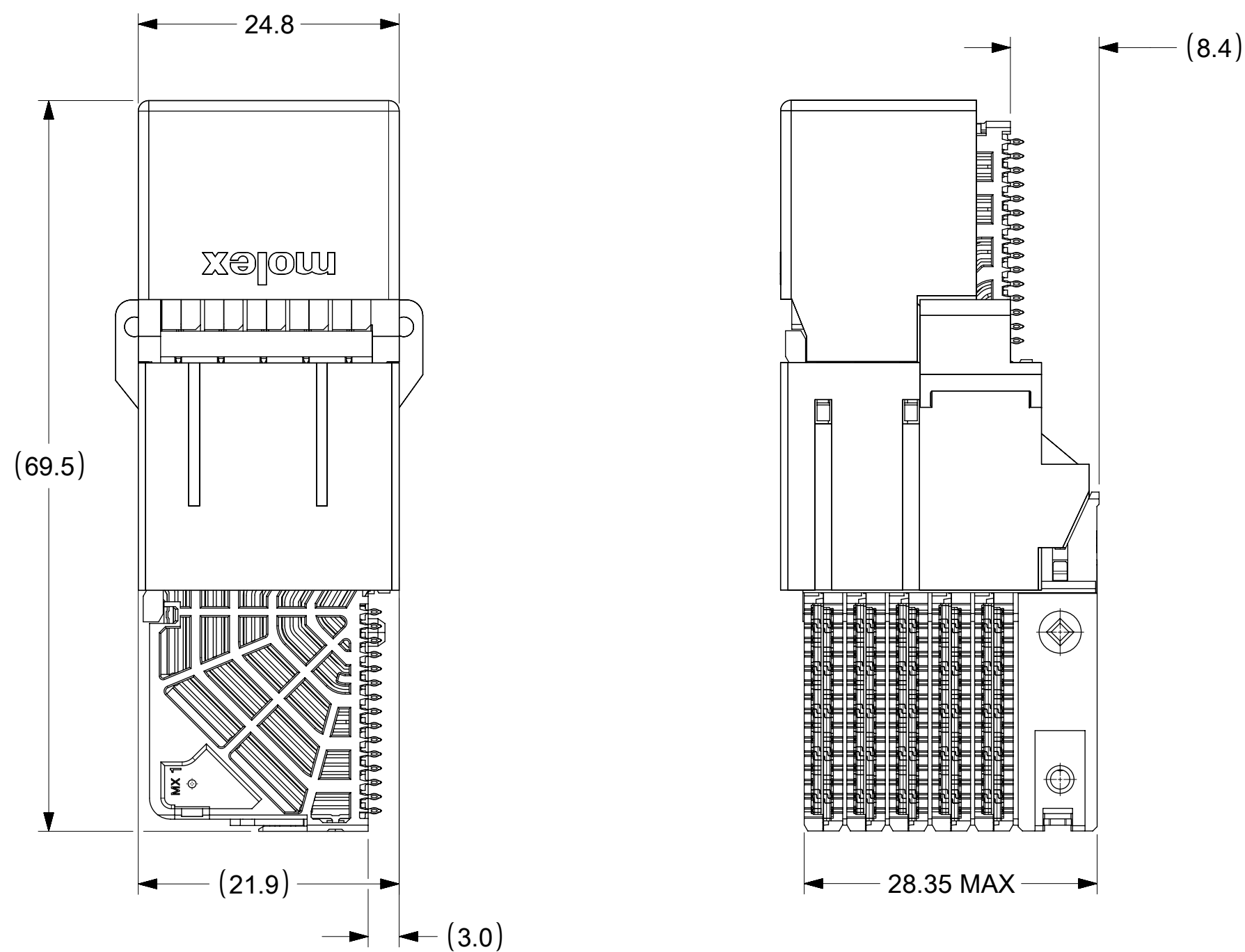


OD-RAM HOLE PATTERN (CONNECTOR SIDE)

THIS DRAWING CONTAINS INFORMATION THAT IS PROPRIETARY TO MOLEX ELECTRONIC TECHNOLOGIES, LLC AND SHOULD NOT BE USED WITHOUT WRITTEN PERMISSION									
DIMENSION UNITS		SCALE		CURRENT REV DESC: MIGRATED TO NX					
mm		NTS							
GENERAL TOLERANCES (UNLESS SPECIFIED)				EC NO: 705090				IMPACT ORTHOGONAL DIRECT 5 PAIR RAM 90 & 270 ASSY BOTTOM GUIDE SALES DWG	
ANGULAR TOL ± 0.5°				DRWN: BREVANSIDDAB 2018/09/18					
4 PLACES ±				CHK'D: VINODM3 2022/02/17					
3 PLACES ±				APPR: LZENG 2022/05/13				PRODUCT CUSTOMER DRAWING	
2 PLACES ± 0.13				INITIAL REVISION:					
1 PLACE ± 0.25				DRWN: JMENDOZA 2012/11/09				DOCUMENT NUMBER SD-171575-0003	
0 PLACES ±				APPR: JMENDOZA 2012/12/04					
DRAFT WHERE APPLICABLE MUST REMAIN WITHIN DIMENSIONS		THIRD ANGLE PROJECTION		DRAWING		SERIES		SHEET NUMBER	
				C-SIZE		171575		1 OF 4	

DOCUMENT STATUS	P1	RELEASE DATE	2022/05/13	03:05:12
-----------------	----	--------------	------------	----------



171575-91**

MODULE TYPE
9 = BOTTOM GUIDED, TIN

OF COLUMNS
1 = 10 COLUMN

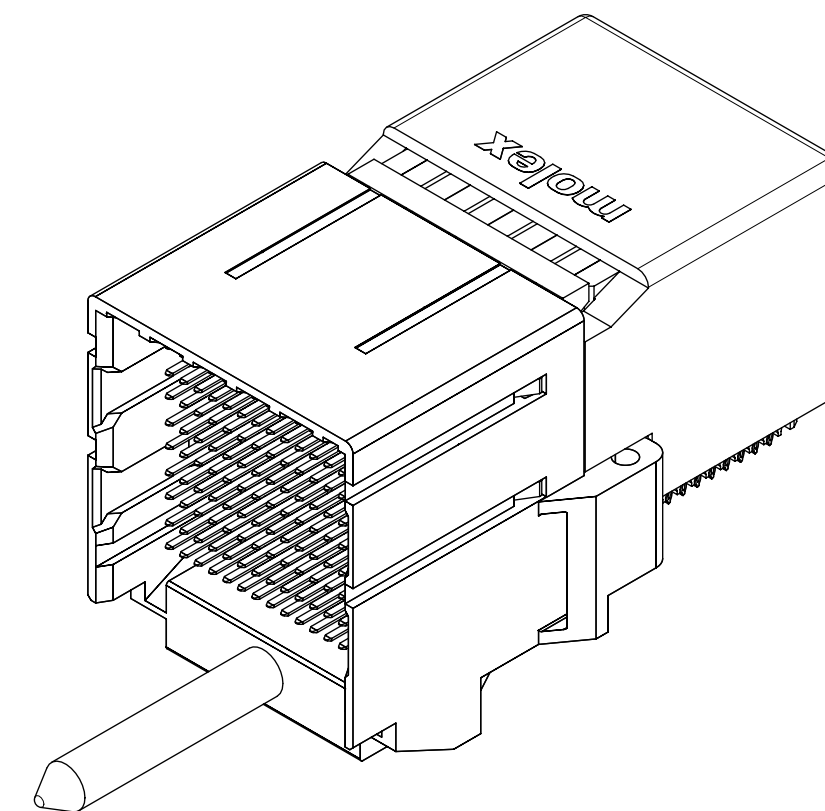
PIN LENGTH (P)
4 = 4.90 (0.46 PTH)
5 = 5.50 (0.46 PTH)
7 = 4.90 (0.39 PTH)
8 = 5.50 (0.39 PTH)

MATE POSITION
0 = 90 DEGREE
3 = 270 DEGREE

MATED DIMENSIONS
(POSITION 90° SHOWN)

NOTES:

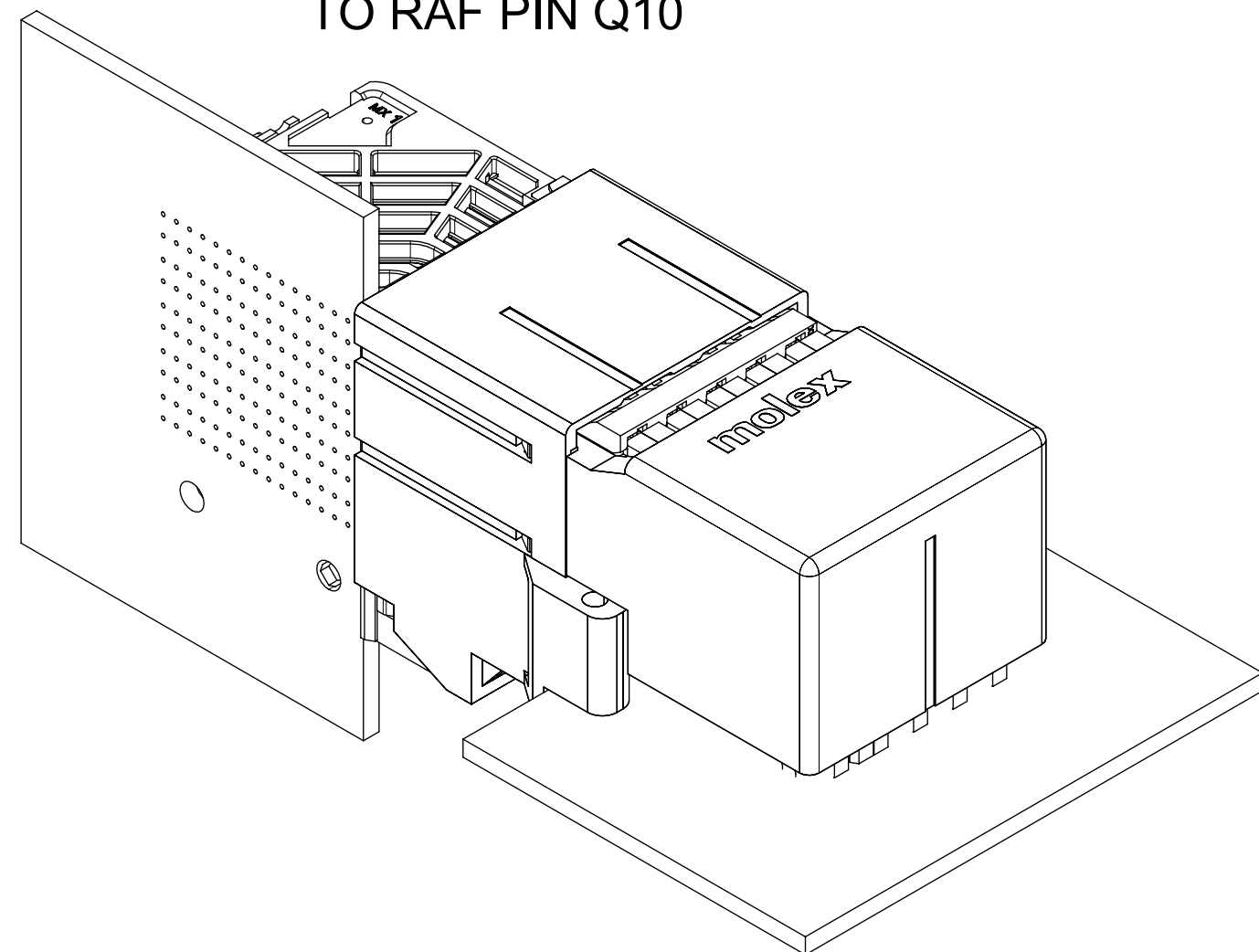
1. MATERIALS: HOUSING - LIQUID CRYSTAL POLYMER (LCP)
GLASS-FILLED, UL94V-0
TERMINALS - HIGH PERFORMANCE COPPER ALLOY
2. FINISH: 30μ MIN GOLD IN CONTACT AREA.
SELECTIVE TIN ON PCB TAILS.
NICKEL OVERALL.
3. REFER TO MOLEX PRODUCT SPECIFICATION PS-76060-999
FOR PERFORMANCE SPECIFICATIONS AND ADDITIONAL PCB INFORMATION.
4. THIS PART CONFORMS TO CLASS B REQUIREMENTS OF
COSMETIC SPEC PS-45499-002.
5. PACKAGE PER: PK-70873-8023.
6. SEE SHEETS 3 AND 4 FOR ORTHOGONAL PIN MAPPING.
7. REFER TO SHEET 3 AND 4 FOR THE MATING RECEPTACLES.
8. REFER TO MOLEX ROUTING GUIDE AS-76850-990 FOR ADDITIONAL PCB LAYOUT
AND ROUTING RECOMMENDATIONS.
9. CONNECTORS ARE SUPPLIED WITH TWO 2-32 THREAD FORMING
SCREWS.
10. THESE DIMENSIONS REPRESENT THE AREA NEEDED TO ACCOMODATE CONNECTOR
INSERTION AND REPAIR ON THE PC BOARD. THIS IS REFERED TO AS THE
"CONNECTOR KEEP OUT ZONE" AND DOES NOT REPRESENT THE ACTUAL PERIMETER
OF THE CONNECTOR.
11. MARKING: LOCATED APPROXIMATELY AS SHOWN, ON THE BOTTOM OR TOP OF
HOUSING. PART NUMBER AND DATE CODE.



THIS DRAWING CONTAINS INFORMATION THAT IS PROPRIETARY TO MOLEX ELECTRONIC TECHNOLOGIES, LLC AND SHOULD NOT BE USED WITHOUT WRITTEN PERMISSION									
DIMENSION UNITS		SCALE		CURRENT REV DESC: MIGRATED TO NX				molex	
mm		NTS							
GENERAL TOLERANCES (UNLESS SPECIFIED)				EC NO: 705090				IMPACT ORTHOGONAL DIRECT 5 PAIR RAM 90 & 270 ASSY BOTTOM GUIDE SALES DWG	
ANGULAR TOL ± 0.5°				DRWN: BREVANSIDDAB 2018/09/18					
4 PLACES ±				CHK'D: VINODM3 2022/02/17				PRODUCT CUSTOMER DRAWING	
3 PLACES ±				APPR: LZENG 2022/05/13					
2 PLACES ± 0.13				INITIAL REVISION:				DOCUMENT NUMBER	
1 PLACE ± 0.25				DRWN: JMENDOZA 2012/11/09					
0 PLACES ±				APPR: JMENDOZA 2012/12/04				SD-171575-0003	
DRAFT WHERE APPLICABLE MUST REMAIN WITHIN DIMENSIONS		THIRD ANGLE PROJECTION		DRAWING		SERIES		SHEET NUMBER	
		C-SIZE		171575		SEE TABLE		2 OF 4	
						GENERAL MARKET			

ORTHO POSITION 90°

OD-RAM PIN A1 MAPS
TO RAF PIN Q10



REFER TO MOLEX SALES DRAWING SD - 76990-004
FOR MATING RECEPTACLES.


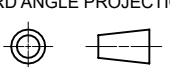
ORTHO PIN MAPPING

OPTION 90 (NEARSIDE - FAR SIDE)

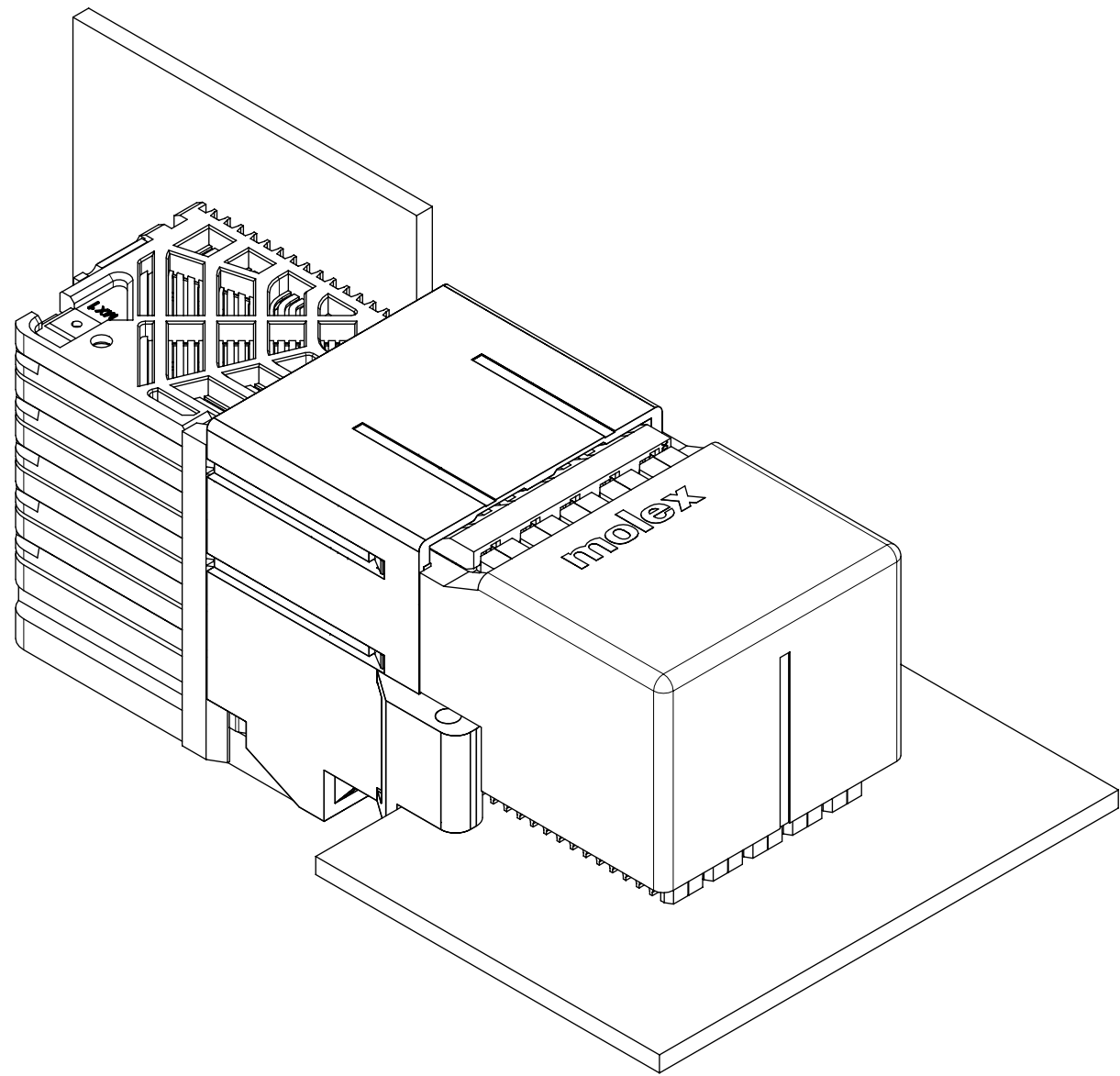
A1-Q10	A2-P10	A3-M10	A4-L10	A5-J10	A6-H10	A7-F10	A8-E10	A9-C10	A10-B10
B1-Q9	B2-N10	B3-M9	B4-K10	B5-J9	B6-G10	B7-F9	B8-D10	B9-C9	B10-A10
C1-P9	C2-N9	C3-L9	C4-K9	C5-H9	C6-G9	C7-E9	C8-D9	C9-B9	C10-A9
D1-Q8	D2-P8	D3-M8	D4-L8	D5-J8	D6-H8	D7-F8	D8-E8	D9-C8	D10-B8
E1-Q7	E2-N8	E3-M7	E4-K8	E5-J7	E6-G8	E7-F7	E8-D8	E9-C7	E10-A8
F1-P7	F2-N7	F3-L7	F4-K7	F5-H7	F6-G7	F7-E7	F8-D7	F9-B7	F10-A7
G1-Q6	G2-P6	G3-M6	G4-L6	G5-J6	G6-H6	G7-F6	G8-E6	G9-C6	G10-B6
H1-Q5	H2-N6	H3-M5	H4-K6	H5-J5	H6-G6	H7-F5	H8-D6	H9-C5	H10-A6
J1-P5	J2-N5	J3-L5	J4-K5	J5-H5	J6-G5	J7-E5	J8-D5	J9-B5	J10-A5
K1-Q4	K2-P4	K3-M4	K4-L4	K5-J4	K6-H4	K7-F4	K8-E4	K9-C4	K10-B4
L1-Q3	L2-N4	L3-M3	L4-K4	L5-J3	L6-G4	L7-F3	L8-D4	L9-C3	L10-A4
M1-P3	M2-N3	M3-L3	M4-K3	M5-H3	M6-G3	M7-E3	M8-D3	M9-B3	M10-A3
N1-Q2	N2-P2	N3-M2	N4-L2	N5-J2	N6-H2	N7-F2	N8-E2	N9-C2	N10-B2
P1-Q1	P2-N2	P3-M1	P4-K2	P5-J1	P6-G2	P7-F1	P8-D2	P9-C1	P10-A2
Q1-P1	Q2-N1	Q3-L1	Q4-K1	Q5-H1	Q6-G1	Q7-E1	Q8-D1	Q9-B1	Q10-A1

NOTE: PINOUTS SHOWN IN BALLOONS ARE GROUNDS.
GROUND PATHS ARE NOT DISCRETE CIRCUITS.

MATERIAL NUMBER	# OF COLUMNS	# OF DIFF PAIR	MATE POSITION	DIM P	PTH Ø
171575-9104	10	50	90	4.90	0.46±0.05
171575-9105	10	50	90	5.50	0.46±0.05
171575-9107	10	50	90	4.90	0.39±0.05
171575-9108	10	50	90	5.50	0.39±0.05

THIS DRAWING CONTAINS INFORMATION THAT IS PROPRIETARY TO MOLEX ELECTRONIC TECHNOLOGIES, LLC AND SHOULD NOT BE USED WITHOUT WRITTEN PERMISSION											
DIMENSION UNITS	SCALE	CURRENT REV DESC: MIGRATED TO NX									
mm	NTS										
GENERAL TOLERANCES (UNLESS SPECIFIED)						IMPACT ORTHOGONAL DIRECT 5 PAIR RAM 90 & 270 ASSY BOTTOM GUIDE SALES DWG					
ANGULAR TOL	± 0.5°	EC NO: 705090				PRODUCT CUSTOMER DRAWING					
4 PLACES	±	DRWN: BREVANSIDDAB 2018/09/18				DOCUMENT NUMBER					
3 PLACES	±	CHK'D: VINODM3 2022/02/17									
2 PLACES	± 0.13	APPR: LZENG 2022/05/13				SD-171575-0003					
1 PLACE	± 0.25	INITIAL REVISION:									
0 PLACES	±	DRWN: JMENDOZA 2012/11/09				DOC TYPE					
DRAFT WHERE APPLICABLE MUST REMAIN WITHIN DIMENSIONS		THIRD ANGLE PROJECTION		DRAWING		SERIES		CUSTOMER		SHEET NUMBER	
				C-SIZE		171575		GENERAL MARKET		3 OF 4	

ORTHO POSITION 270°
OD-RAM PIN A1 MAPS
TO RAF PIN A1



REFER TO MOLEX SALES DRAWING SD - 76990-002
FOR MATING RECEPTACLES.


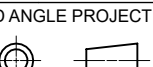
ORTHO PIN MAPPING

OPTION 270 (NEARSIDE - FAR SIDE)

A1-A1	A2-B1	A3-D1	A4-E1	A5-G1	A6-H1	A7-K1	A8-L1	A9-N1	A10-P1
B1-A2	B2-C1	B3-D2	B4-F1	B5-G2	B6-J1	B7-K2	B8-M1	B9-N2	B10-Q1
C1-B2	C2-C2	C3-E2	C4-F2	C5-H2	C6-J2	C7-L2	C8-M2	C9-P2	C10-Q2
D1-A3	D2-B3	D3-D3	D4-E3	D5-G3	D6-H3	D7-K3	D8-L3	D9-N3	D10-P3
E1-A4	E2-C3	E3-D4	E4-F3	E5-G4	E6-J3	E7-K4	E8-M3	E9-N4	E10-Q3
F1-B4	F2-C4	F3-E4	F4-F4	F5-H4	F6-J4	F7-L4	F8-M4	F9-P4	F10-Q4
G1-A5	G2-B5	G3-D5	G4-E5	G5-G5	G6-H5	G7-K5	G8-L5	G9-N5	G10-P5
H1-A6	H2-C5	H3-D6	H4-F5	H5-G6	H6-J5	H7-K6	H8-M5	H9-N6	H10-Q5
J1-B6	J2-C6	J3-E6	J4-F6	J5-H6	J6-J6	J7-L6	J8-M6	J9-P6	J10-Q6
K1-A7	K2-B7	K3-D7	K4-E7	K5-G7	K6-H7	K7-K7	K8-L7	K9-N7	K10-P7
L1-A8	L2-C7	L3-D8	L4-F7	L5-G8	L6-J7	L7-K8	L8-M7	L9-N8	L10-Q7
M1-B8	M2-C8	M3-E8	M4-F8	M5-H8	M6-J8	M7-L8	M8-M8	M9-P8	M10-Q8
N1-A9	N2-B9	N3-D9	N4-E9	N5-G9	N6-H9	N7-K9	N8-L9	N9-N9	N10-P9
P1-A10	P2-C9	P3-D10	P4-F9	P5-G10	P6-J9	P7-K10	P8-M9	P9-N10	P10-Q9
Q1-B10	Q2-C10	Q3-E10	Q4-F10	Q5-H10	Q6-J10	Q7-L10	Q8-M10	Q9-P10	Q10-Q10

NOTE: PINOUTS SHOWN IN BALLOONS ARE GROUNDS.
GROUND PATHS ARE NOT DISCRETE CIRCUITS.

MATERIAL NUMBER	# OF COLUMNS	# OF DIFF PAIR	MATE POSITION	DIM P	PTH ϕ
171575-9134	10	50	270	4.90	0.46±0.05
171575-9135	10	50	270	5.50	0.46±0.05
171575-9137	10	50	270	4.90	0.39±0.05
171575-9138	10	50	270	5.50	0.39±0.05

THIS DRAWING CONTAINS INFORMATION THAT IS PROPRIETARY TO MOLEX ELECTRONIC TECHNOLOGIES, LLC AND SHOULD NOT BE USED WITHOUT WRITTEN PERMISSION									
DIMENSION UNITS	SCALE	CURRENT REV DESC: MIGRATED TO NX							
mm	NTS								
GENERAL TOLERANCES (UNLESS SPECIFIED)		EC NO: 705090				IMPACT ORTHOGONAL DIRECT 5 PAIR RAM 90 & 270 ASSY BOTTOM GUIDE SALES DWG			
ANGULAR TOL	± 0.5°	DRWN: BREVANSIDDAB 2018/09/18							
4 PLACES	±	CHK'D: VINODM3 2022/02/17				PRODUCT CUSTOMER DRAWING			
3 PLACES	±	APPR: LZENG 2022/05/13							
2 PLACES	± 0.13	INITIAL REVISION:				DOCUMENT NUMBER SD-171575-0003			
1 PLACE	± 0.25	DRWN: JMENDOZA 2012/11/09							
0 PLACES	±	APPR: JMENDOZA 2012/12/04				DOC TYPE DOC PART REVISION PSD 001 B3			
DRAFT WHERE APPLICABLE MUST REMAIN WITHIN DIMENSIONS		THIRD ANGLE PROJECTION	DRAWING	SERIES	MATERIAL NUMBER	CUSTOMER	SHEET NUMBER		
			C-SIZE	171575	SEE TABLE	GENERAL MARKET	4 OF 4		