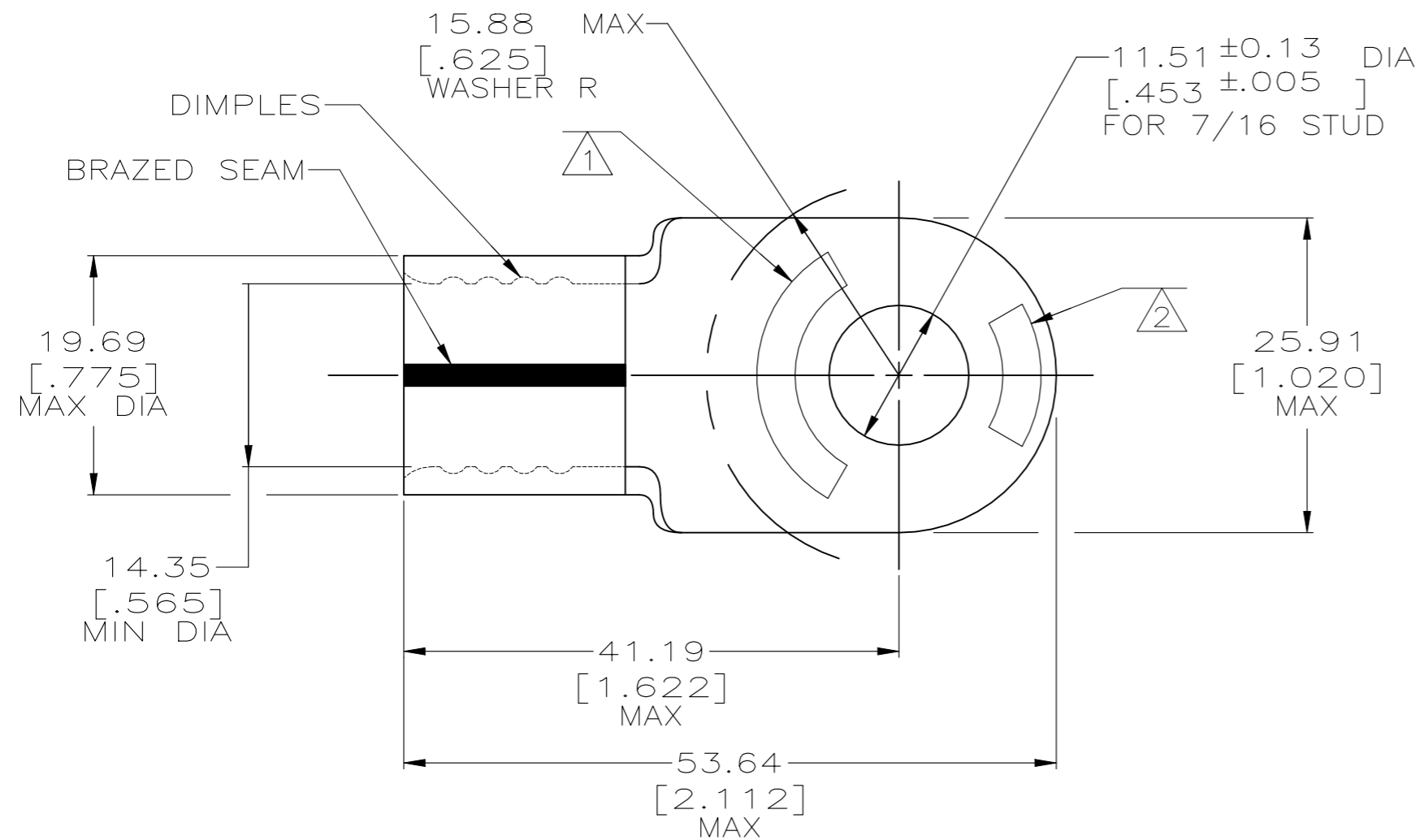


© - TE Connectivity. All Rights Reserved.

REVISIONS

P	LTR	DESCRIPTION	DATE	DWN	APVD
C1		REVISED PER ECN-22-150900	27APR2022	RK	CSD



<b>AMP</b> WIRE RANGE	E13288 Listed
3/0 AWG SOLID OR STRANDED	3/0 AWG STRANDED

LR7189 Certified
3/0 AWG SOLID OR STRANDED

- △ 1 STAMP AMP 3/0W\* APPROX AS SHOWN
- △ 2 STAMP 150 APPROX AS SHOWN
- 3 MATERIAL THK: 2.31 ±0.08 [.091 ±.003]

321876  
PART NO

<b>AMP INCORPORATED CUSTOMER SERVICE SYSTEMS</b>		MAX RECOMMENDED OPERATING TEMPERATURE: 170° C MAX	THIS DRAWING IS A CONTROLLED DOCUMENT.		DWN DK SCHRUM 5/25/93	TE Connectivity				
FOR ADDITIONAL PRODUCT INFORMATION OR COPIES OF DRAWINGS AND TECHNICAL DOCUMENTS	PRODUCT INFORMATION CENTER 1-800-522-6752	VOLTAGE RATING: NOT APPLICABLE	DIMENSIONS: mm[INCHES]	TOLERANCES UNLESS OTHERWISE SPECIFIED:	CHK RD HEIM 1/27/94					NAME TERMINAL, RING TONGUE, SOLISTRAND TM
FOR APPLICATION TOOLING INFORMATION	TOOLING ASSISTANCE CENTER 1-800-722-1111	WIRE CROSS SECTIONAL AREA RANGE: 76.3-96.3mm <sup>2</sup> [150,500-190,000] CIR MILS SOLID OR STRANDED		0 PLC ± - 1 PLC ± - 2 PLC ± 0.20[.008] 3 PLC ± - 4 PLC ± - ANGLES ± -	APVD RE ROSER 1/27/94	PRODUCT SPEC	SIZE	CAGE CODE	DRAWING NO	RESTRICTED TO
FOR ORDER ENTRY	1-800-526-5142	THIS DRAWING IS A CONTROLLED DOCUMENT FOR AMP INCORPORATED. IT IS SUBJECT TO CHANGE AND THE CONTROLLING ENGINEERING ORGANIZATION SHOULD BE CONTACTED FOR THE LATEST REVISION.	MATERIAL COPPER PER ASTM B-152 ANNEALED	FINISH TIN PLATE 0.000254[.000100] MIN THK PER MIL-T-10727	APPLICATION SPEC	WEIGHT	A3	00779	C-321876	-
CUSTOMER DRAWING						SCALE	2:1	SHEET	1 OF 1	REV C1