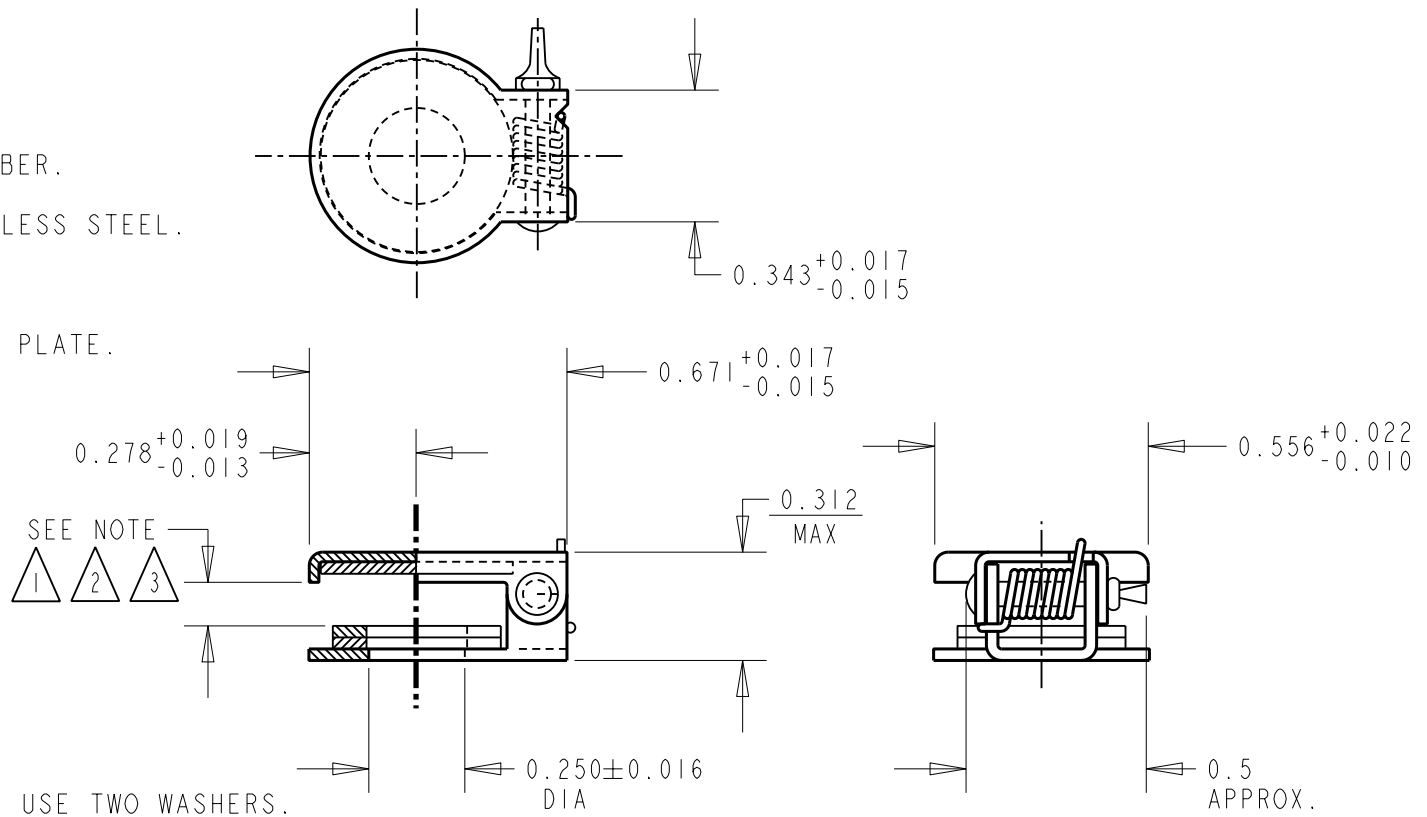


MATERIALS:

1. COVER AND BASE-STEEL - BRIGHT NICKEL PLATE.
2. GASKET - SYNTHETIC RUBBER.
3. TORSION SPRING - STAINLESS STEEL.
4. AXLE - STAINLESS STEEL
5. WASHERS-STEEL - NICKEL PLATE.



NOTES:

- 1 0.125 APPROX. HIGH HEAD, USE TWO WASHERS.
- 2 0.156 APPROX. HIGH HEAD, USE ONE WASHER.
- 3 0.188 APPROX. HIGH HEAD, USE NO WASHERS.

CUSTOMER DRAWING

					★ STAR SYMBOL DENOTES CRITICAL DIMENSION	THIS DRAWING DESCRIBES A DESIGN CONSIDERED PROPRIETARY IN NATURE, DEVELOPED AND MANUFACTURED BY SWITCHCRAFT INC. AND IS RELEASED ON A CONFIDENTIAL BASIS FOR IDENTIFICATION PURPOSES ONLY.					
					UNLESS OTHERWISE SPECIFIED	SIZE	WIDTH	MULT	LBS/M	TEMPER	
					1. ALL DIMENSIONS IN INCHES - TWO PLACE DECIMALS ± 0.01 - THREE PLACE DECIMALS ± 0.005 - ANGLES $\pm 1^\circ$ - ALL DIA. CONCENTRIC WITHIN 0.005 T.I.R.	FINISH		MATERIAL			
					2. FEATURES ON THE SAME CENTERLINE MUST BE ALIGNED WITHIN ± 0.002	SPEC No.		SPEC No.			
					3. REMOVE ALL BURRS	FIRST USED ON		SCALE		Switchcraft®	
								2 : 1			
E	ECO #22434	11-6-98	RC	JF		DATE DRAWN	BY	CHKD	APVD		
						4-22-64	IRT	CJW 4-22-64	LG 4-23-64		
REV	ECO NUMBER	DATE	BY	APVD		NAME				PART No.	REV
						TIP JAX COVER ASSY (NICKEL PLATED)				612	E
REVISIONS					DO NOT SCALE DRAWING						