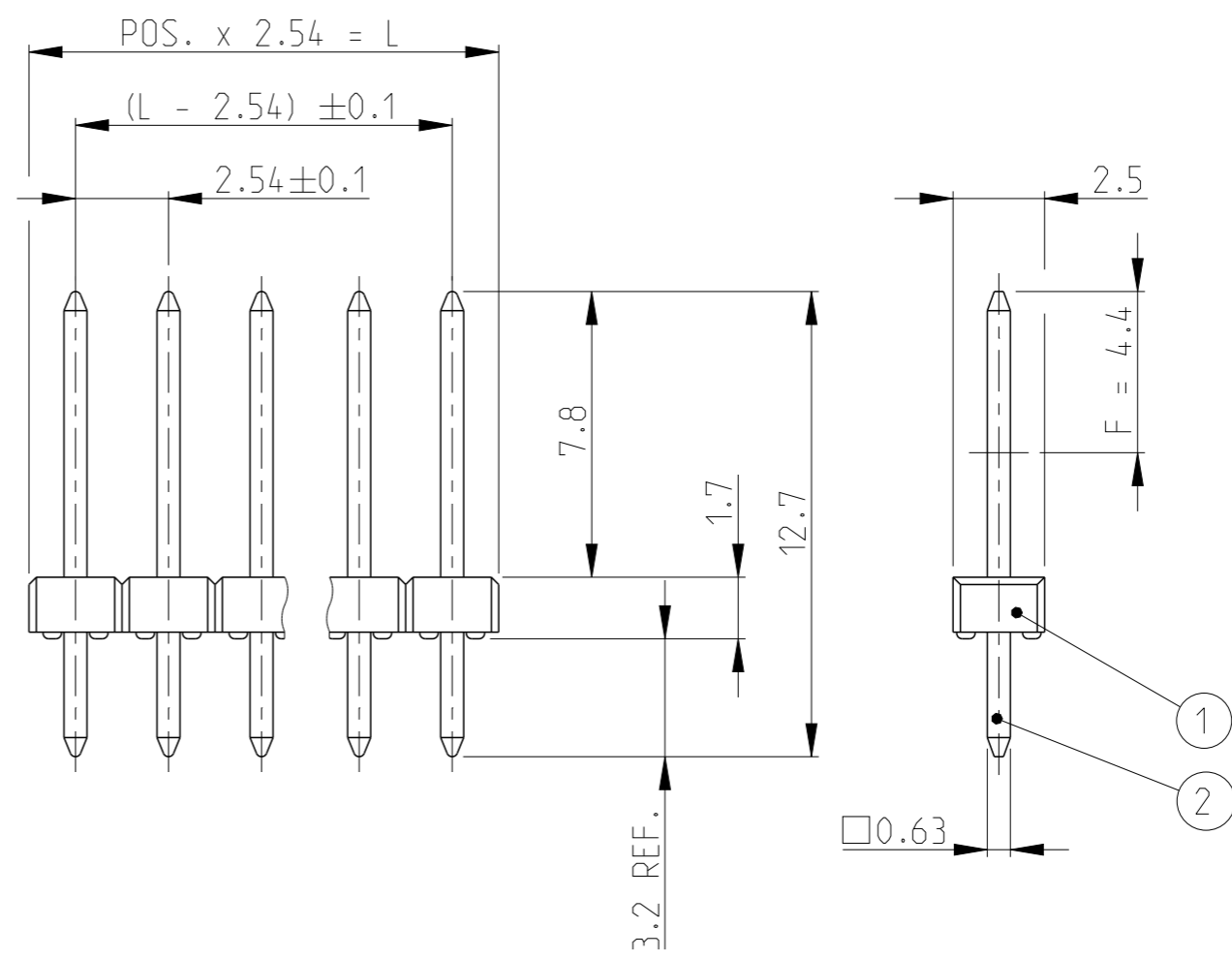


THIS DRAWING IS UNPUBLISHED
 RELEASED FOR PUBLICATION 2007
 © COPYRIGHT 2007 ALL RIGHTS RESERVED.

LOC	DIST	REVISIONS			
P	LTR	DESCRIPTION	DATE	DWN	APVD
	C	CONTACT PIN MATERIAL AND PLATING CHANGE	22JUL2014	KJK	JK

POS. PER ROW	L +0.3 -0.6	PART - NO.	POS. PER ROW	L +0.3 -0.6	PART - NO.
-	-	-	-26	66.04	2- 828 220-6
2	5.08	828 220-2 ²	-27	68.58	2- -7
3	7.62	-3 ²	-28	71.12	2- -8
4	10.16	4 ²	-29	73.66	2- -9
5	12.70	-5 ²	-30	76.20	3- -0
6	15.24	-6 ²	-31	78.74	3- -1
7	17.78	7 ³	-32	81.28	3- -2
8	20.32	-8 ²	-33	83.82	3- -3
9	22.86	9 ²	-34	86.36	3- -4
10	25.40	1- -0	-35	88.90	3- -5
11	27.94	1- 1 ²	-36	91.44	3- -6
12	30.48	1- -2 ²	-37	93.98	3- -7
13	33.02	1- -3 ²	-38	96.52	3- -8
14	35.56	1- -4 ³	-39	99.06	3- -9
15	38.10	1- -5 ²	-40	101.60	4- -0
16	40.64	1- -6 ²	-41	104.14	4- -1
17	43.18	1- -7 ²	-42	106.68	4- -2
18	45.72	1- -8 ²	-43	109.22	4- -3
19	48.26	1- -9 ²	-44	111.76	4- -4
20	50.80	2- 0 ²	-45	114.30	4- -5
21	53.34	2- -1 ²	-46	116.84	4- -6
22	55.88	2- 2 ²	-47	119.38	4- -7
23	58.42	2- -3 ³	-48	121.92	4- -8
24	60.96	2- 4 ²	-49	124.46	4- -9
25	63.50	2- 828 220-5 ³	-50	127.00	5- 828 220-0

OBSOLETE



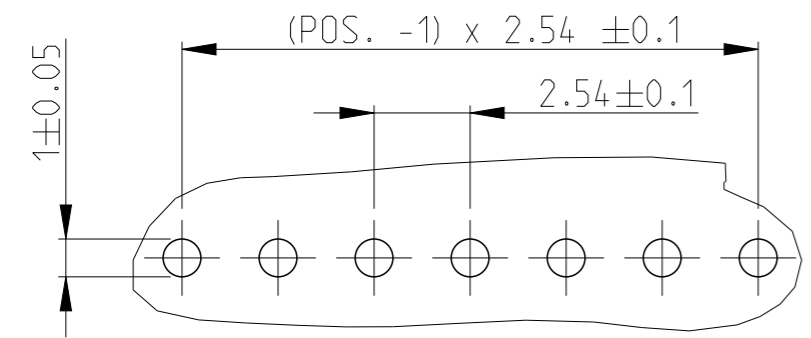
1 MATING SIDE: MIN. 0.7 μm PdNi + MIN. 0.1 μm GOLD FLASH BY AREA "F" OVER 1.27 μm NICKEL
 SOLDER SIDE: MIN. 3 μm TIN OVER 1.27 μm NICKEL

2 OBSOLETE PARTS: OBSOLETE CIS STREAMLINING PER D.RENAUD/D.SINISI

3 OBSOLETE

1	CONTACT PIN KONTAKTSTIFT	CuZn	2
COLOUR GREEN	PIN HOUSING STIFTGEHAEUSE	PBT	1
REMARK	DESCRIPTION BEZEICHNUNG	MATERIAL	ITEM LFD. NR.

PC BOARD LAYOUT



THIS DRAWING IS A CONTROLLED DOCUMENT.

DWN	NEBE	20FEB1985	 TE Connectivity
CHK	M.SCHAARSCHMIDT	22FEB1985	
APVD	-	-	
DIMENSIONS: mm 			NAME AMPMODU II PIN HEADER SINGLE ROW
TOLERANCES UNLESS OTHERWISE SPECIFIED: ±0.2mm 0 PLC ± 1 PLC ± 2 PLC ± 3 PLC ± 4 PLC ± ANGLES ± FINISH SEE TABLE			
MATERIAL SEE TABLE		PRODUCT SPEC 108-18012	SIZE A3
		APPLICATION SPEC -	CAGE CODE 00779
		WEIGHT -	DRAWING NO. C-828220
		CUSTOMER DRAWING	RESTRICTED TO -
		SCALE 5:1	SHEET 1 OF 1
			REV C