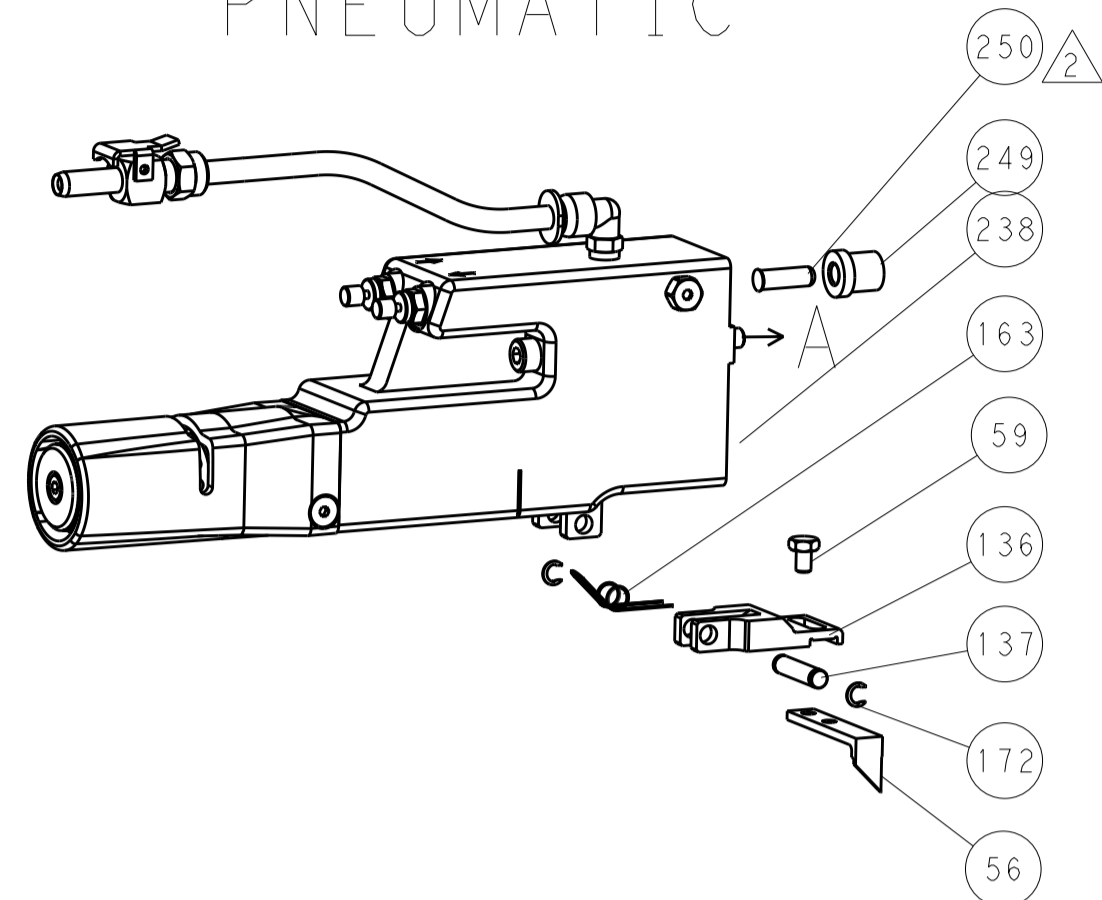
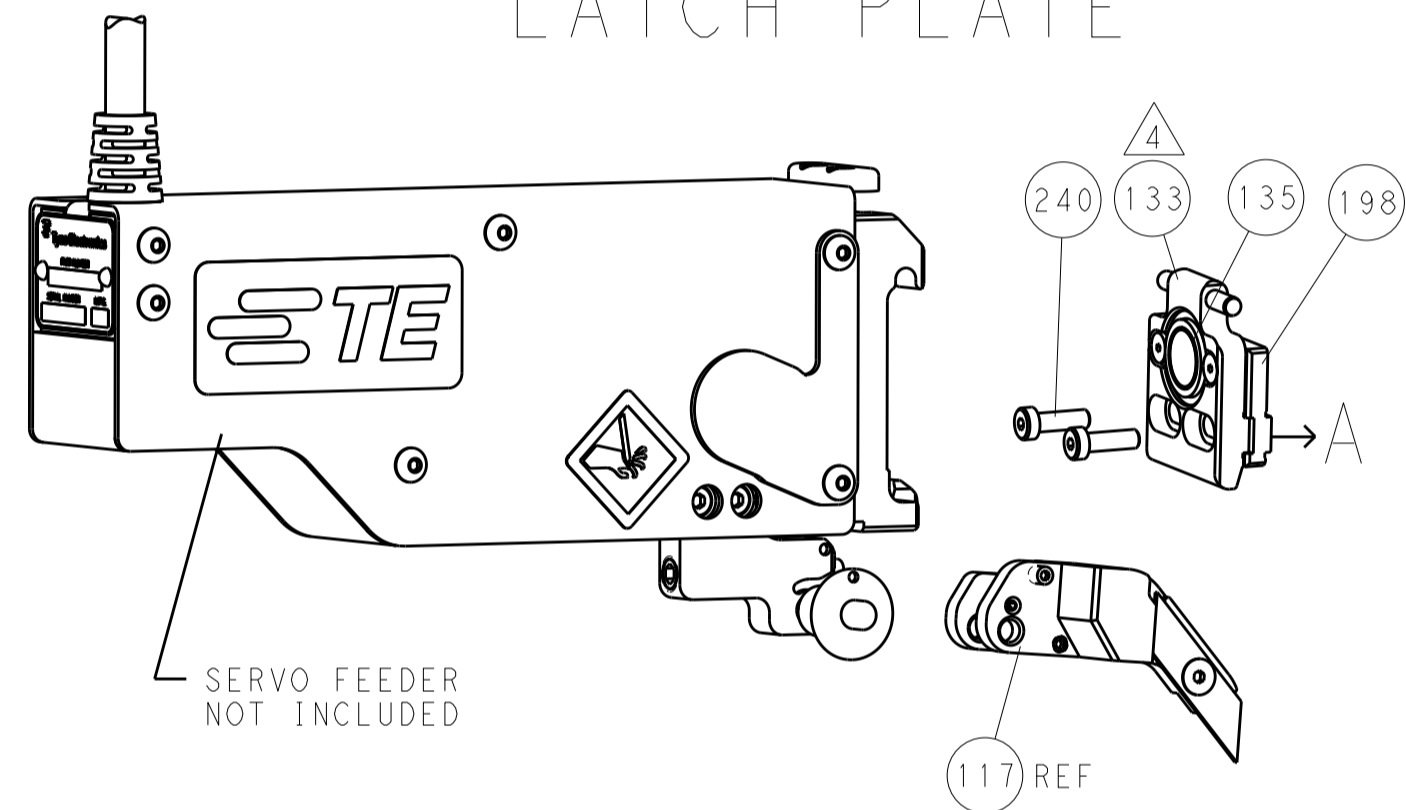


| LOC | | DIST | | REVISIONS | | | |
|-----|----|------|-----|-------------|------|-----|------|
| A | 66 | P | LTM | DESCRIPTION | DATE | OWN | APVD |
| | | - | | SEE SHEET 1 | | | |

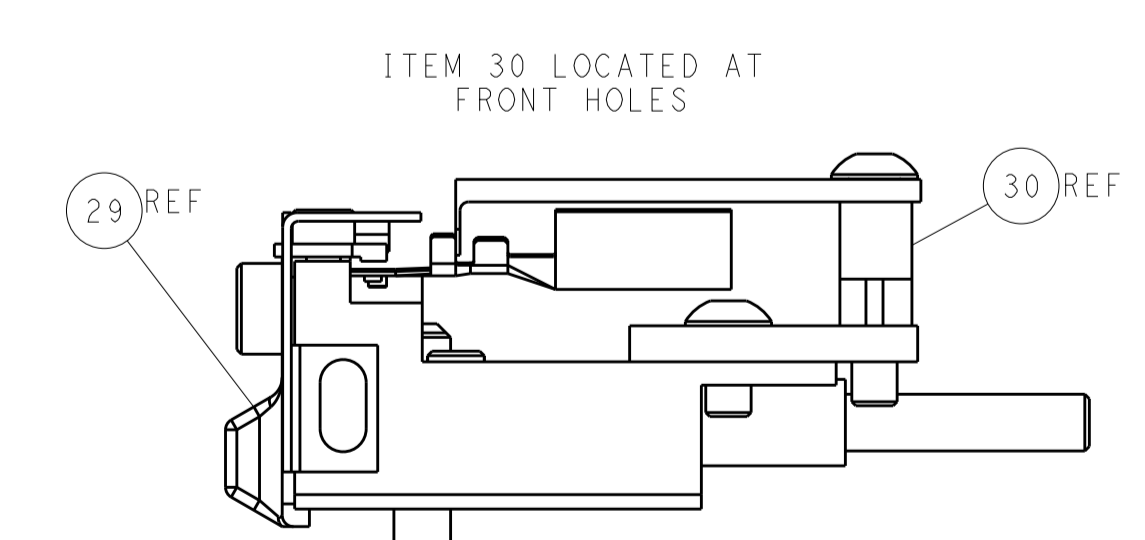
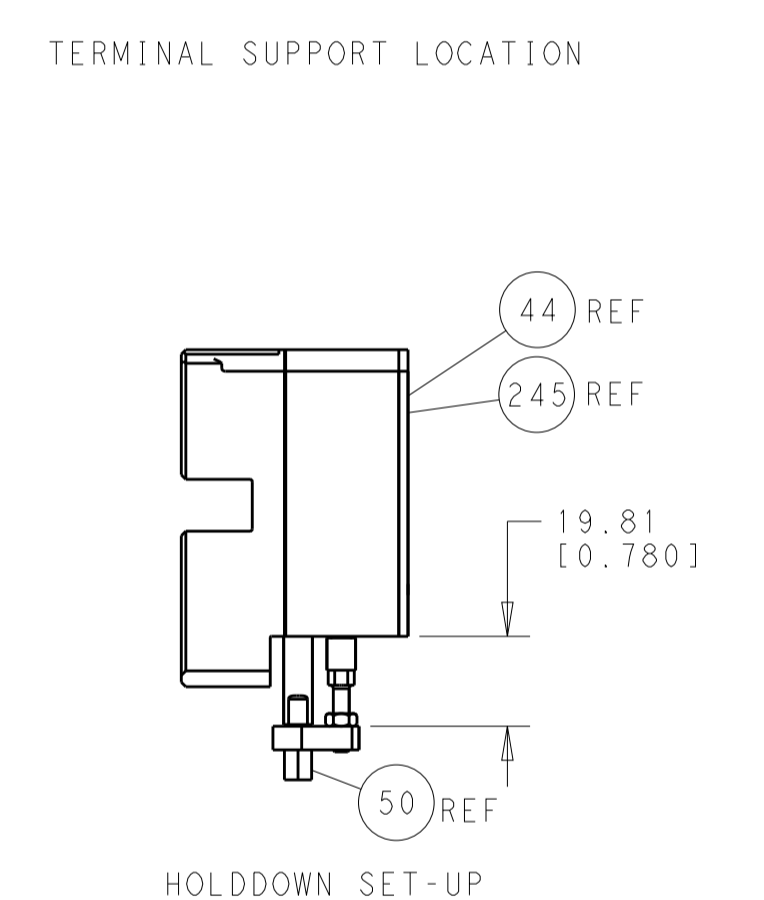
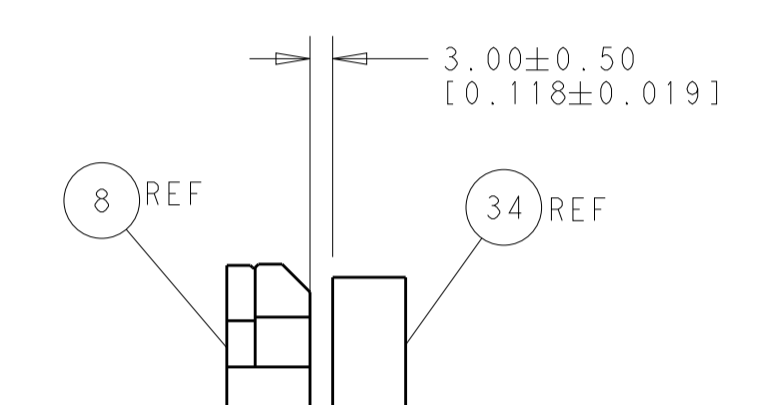
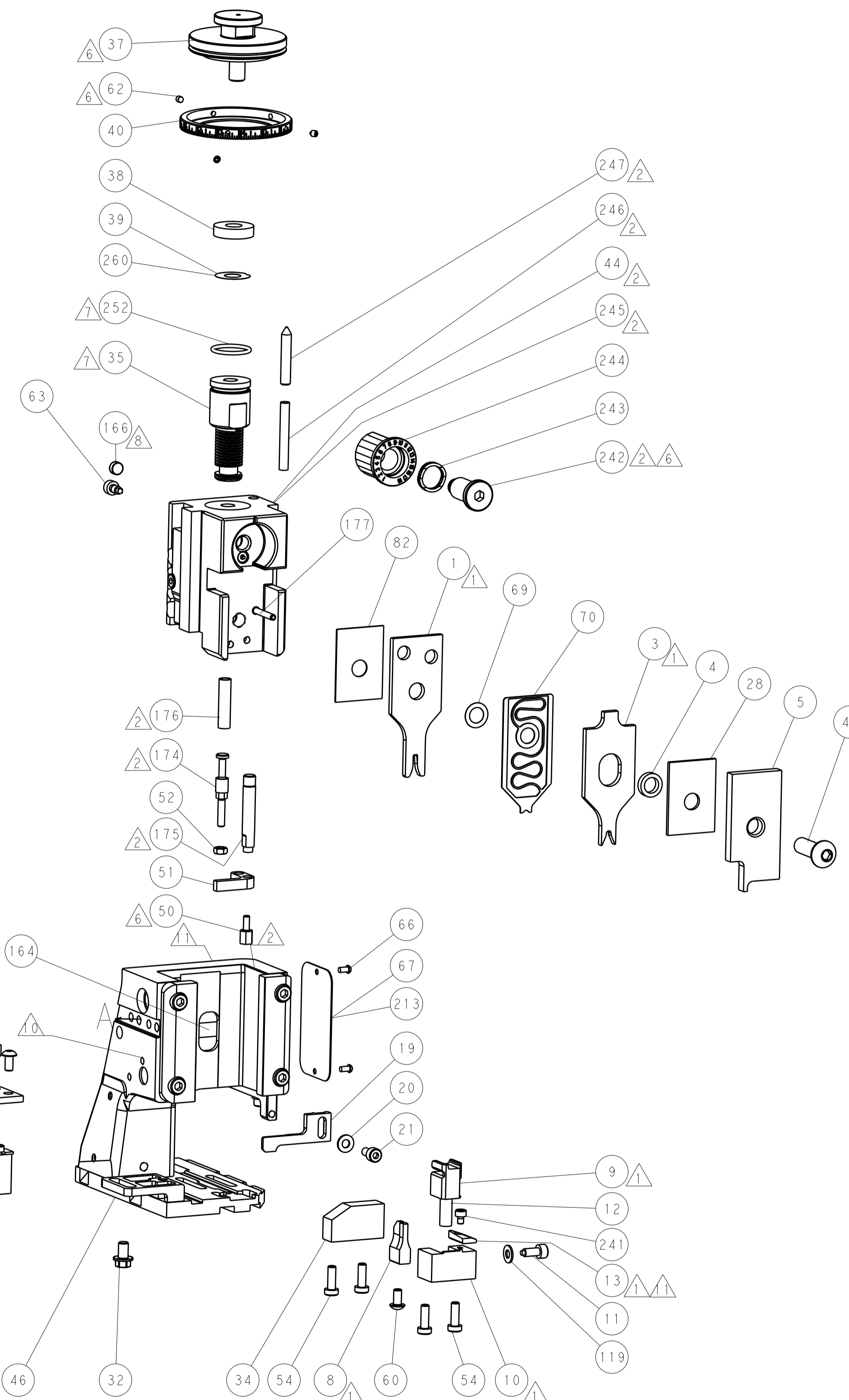
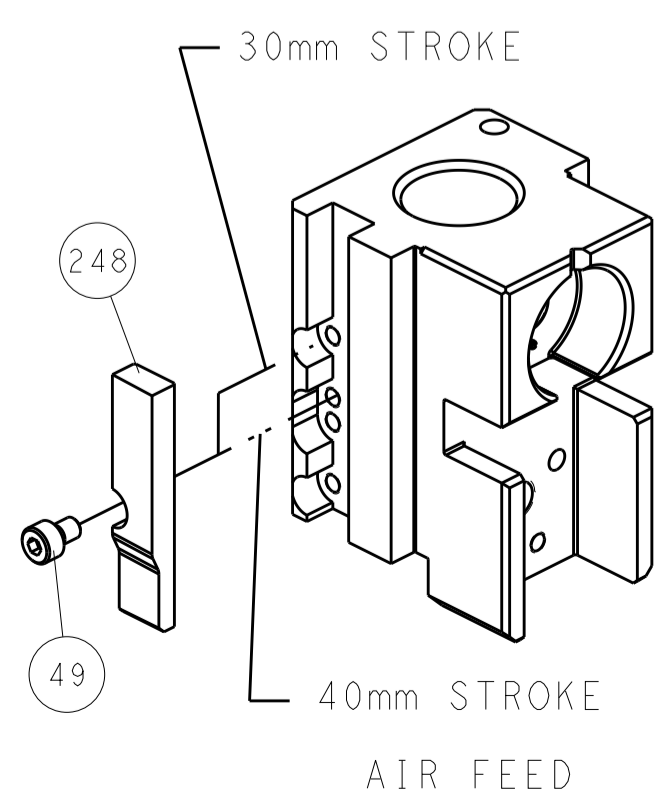
FEED TYPE PNEUMATIC



SERVO LATCH PLATE



CAM POSITION



FEED TRACK POSITION
GUIDE BY INSULATION BARREL

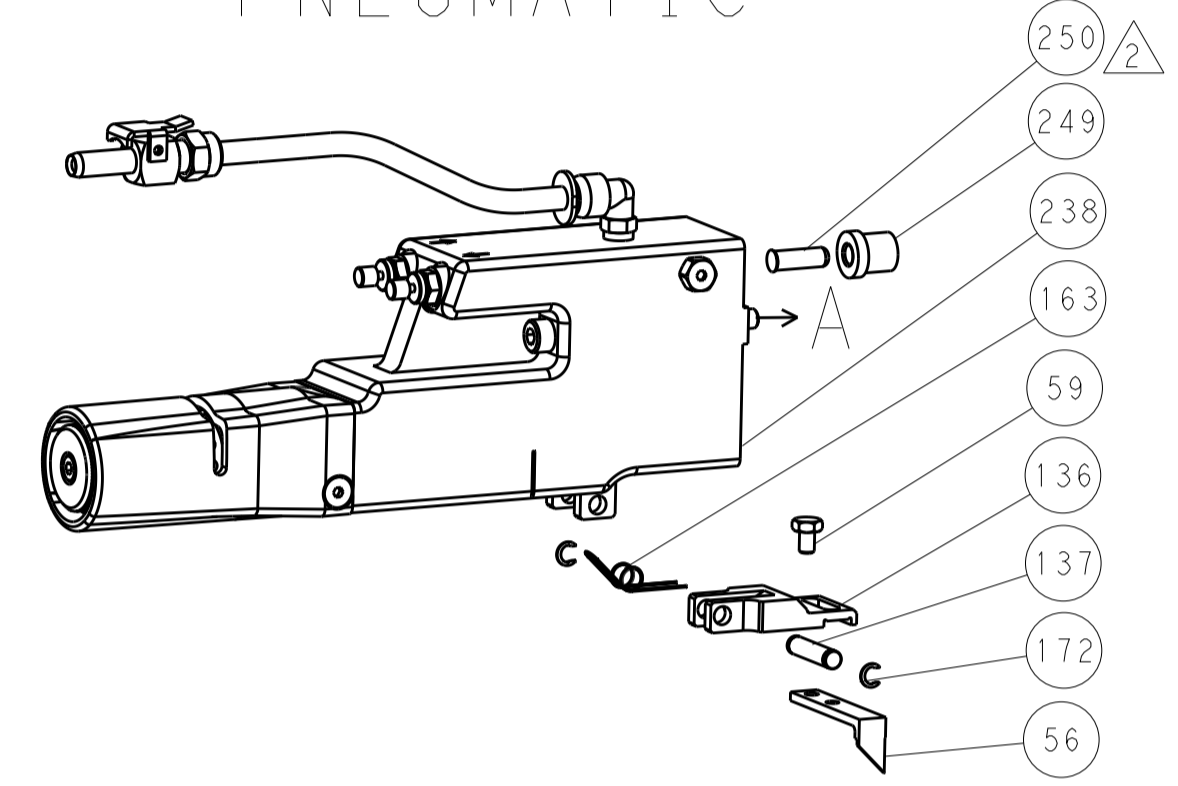
ATLANTIC VERSION
 Shown on sheets 1 of 4 & 2 of 4
 (Pacific version shown on sheets 3 of 4 & 4 of 4)

| | | | | | | | |
|----------------------------------------|------------|----------------------------------------|-------------|----------------------------------------------------|--------------|-------------------------------|---------------------------|
| DIMENSIONS: | | TOLERANCES UNLESS OTHERWISE SPECIFIED: | | DWN L. ZHANG 14NOV2012 | | TE Connectivity | |
| mm | 0 PLC ±0.5 | 1 PLC ±0.5 | 2 PLC ±0.13 | 3 PLC ±0.013 | 4 PLC ±0.001 | APVD S. XI 14NOV2012 | Harrisburg, PA 17105-3608 |
| MATERIAL: | | FINISH: | | NAME Ocean Side Feed Applicator | | RESTRICTED TO | |
| | | | | SIZE CAGE CODE DRAWING NO. A1 00779 C=2151773 | | SCALE 1:2 SHEET 2 OF 4 REV B1 | |
| Customer Accessible Production Drawing | | | | SHEETS 3 & 4 ARE NOT REQUIRED FOR ATLANTIC VERSION | | | |

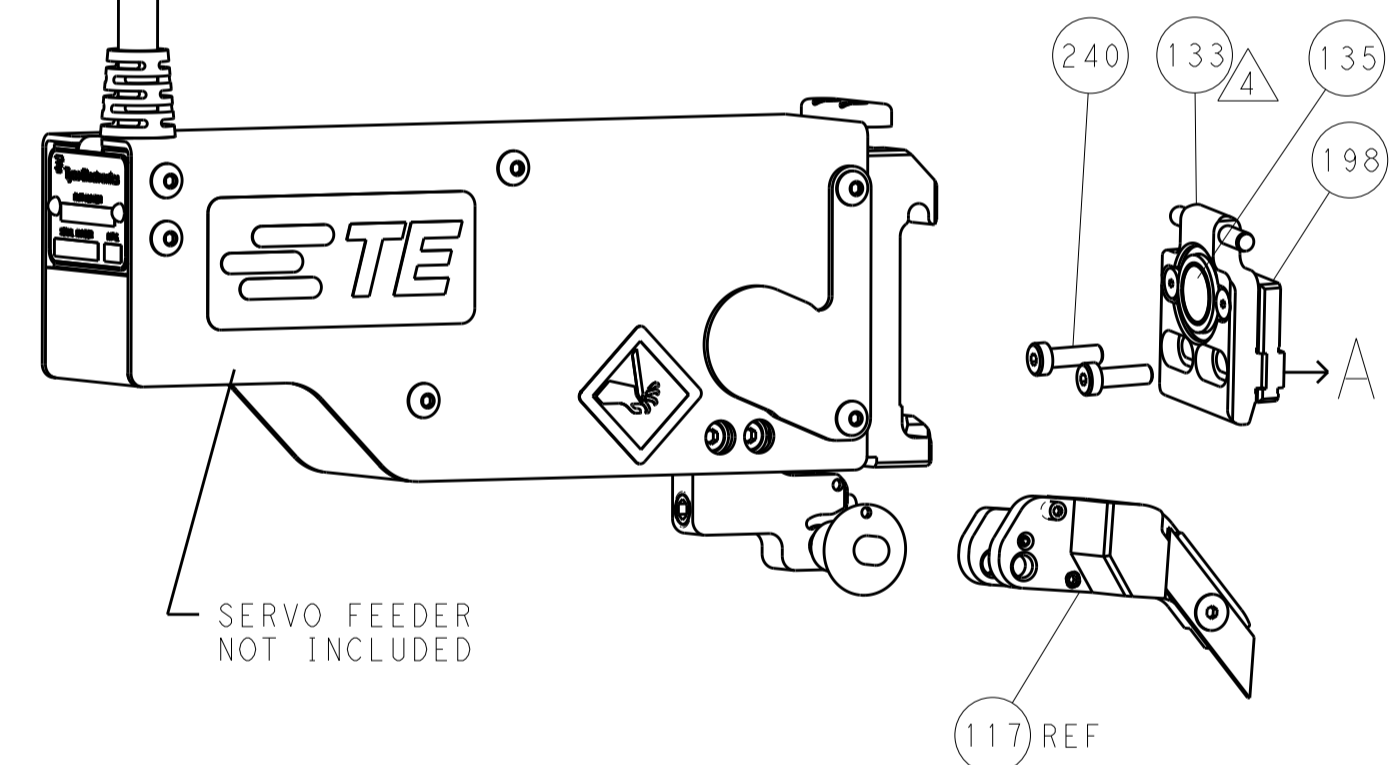
| LOC | | DIST | | REVISIONS | | | |
|-----|----|------|-----|-------------|------|-----|------|
| A | 66 | P | LTM | DESCRIPTION | DATE | DWN | APVD |
| | | - | | SEE SHEET 1 | | | |

FEED TYPE

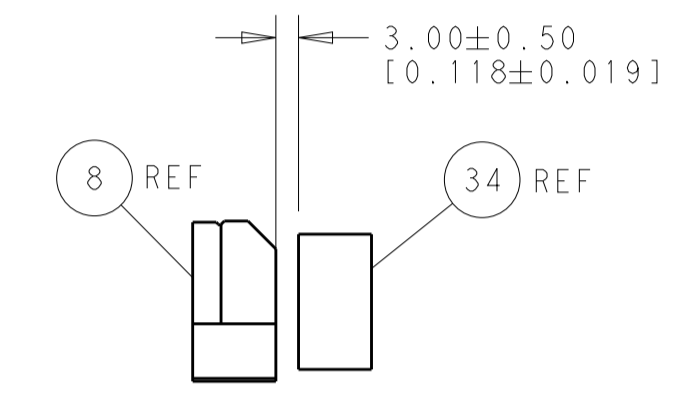
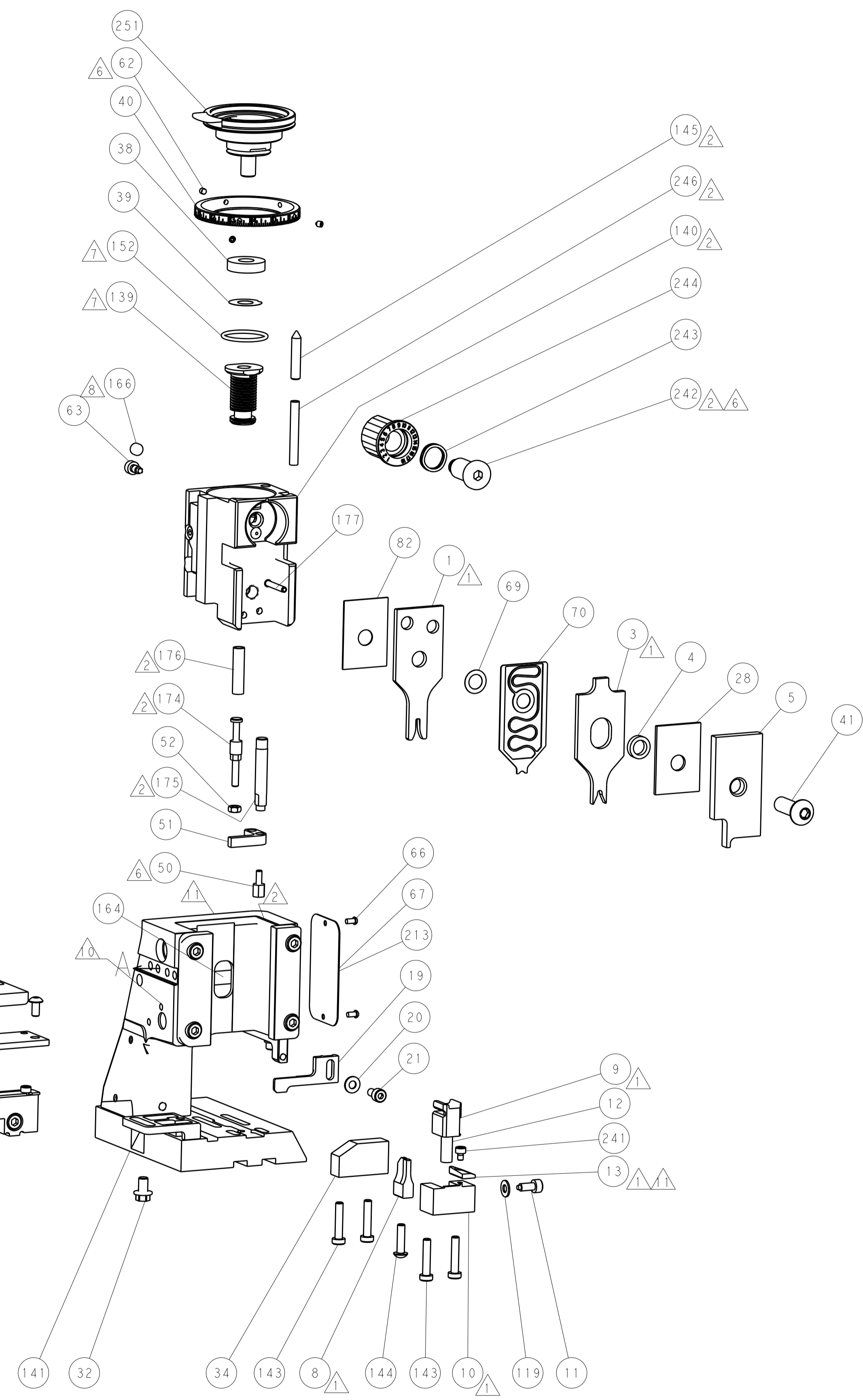
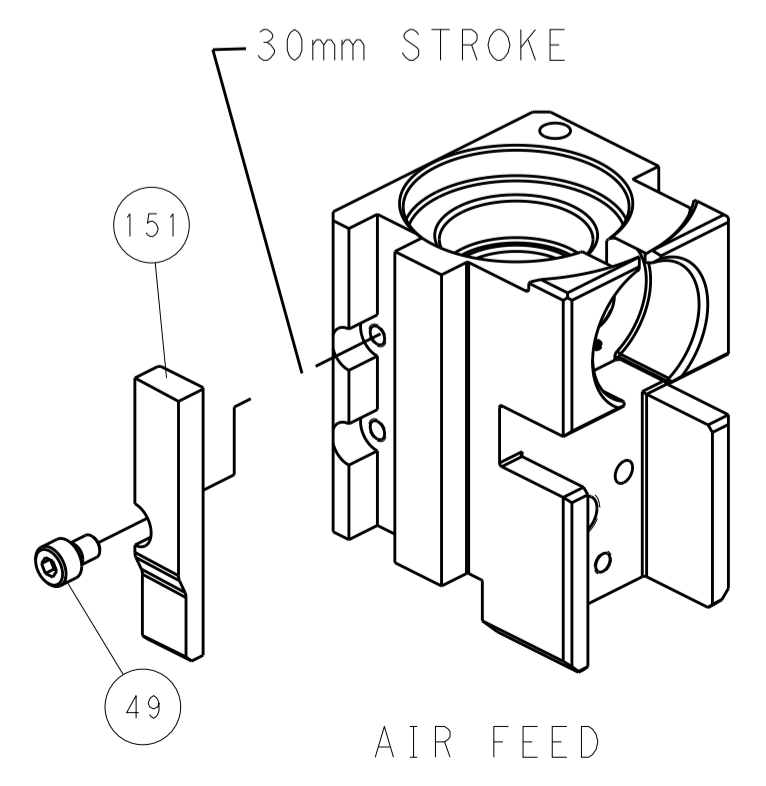
PNEUMATIC



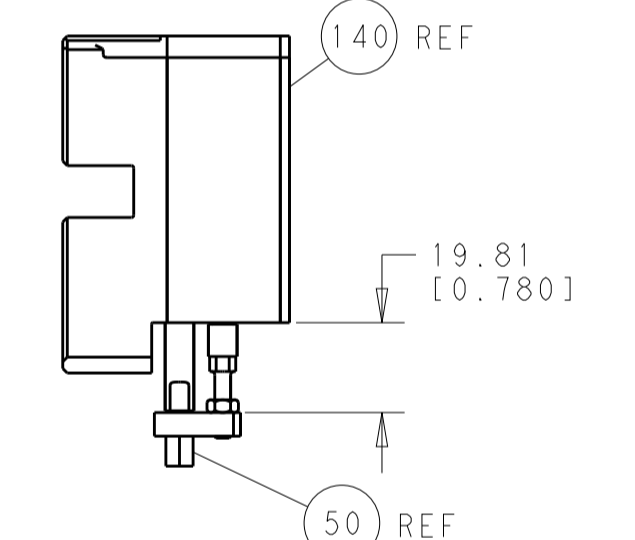
SERVO LATCH PLATE



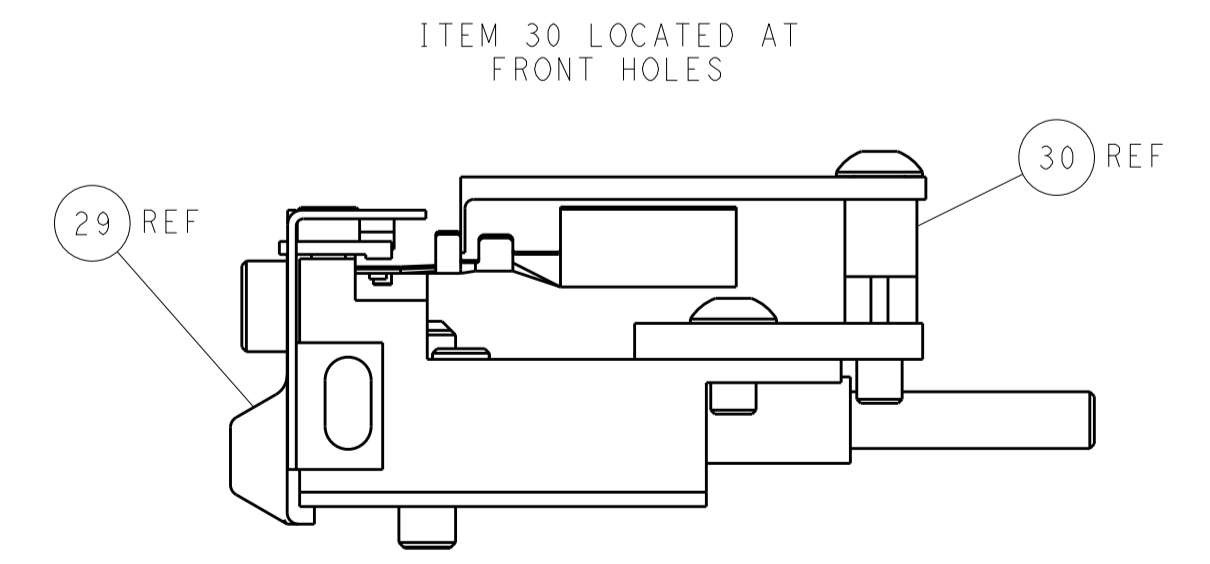
CAM POSITION



TERMINAL SUPPORT LOCATION



HOLDDOWN SET-UP



FEED TRACK POSITION GUIDE BY INSULATION BARREL

PACIFIC VERSION
 Shown on sheets 3 of 4 & 4 of 4
 (Atlantic version shown on sheets 1 of 4 & 2 of 4)

| | | | | | | | |
|-------------|------------|----------------------------------------|-------------|----------------------------------------|--------------|----------------------------------------|---------------------------|
| DIMENSIONS: | | TOLERANCES UNLESS OTHERWISE SPECIFIED: | | DWN L. ZHANG 14NOV2012 | | TE Connectivity | |
| mm | 0 PLC ±0.5 | 1 PLC ±0.5 | 2 PLC ±0.13 | 3 PLC ±0.013 | 4 PLC ±0.001 | APVD S. XI 14NOV2012 | Harrisburg, PA 17105-3608 |
| MATERIAL: | | FINISH: | | NAME Ocean Side Feed Applicator | | RESTRICTED TO | |
| | | | | SIZE CAGE CODE DRAWING NO | | A 00779 C=2151773 | |
| | | | | WEIGHT | | SCALE 1:2 SHEET 4 OF 4 REV B1 | |
| | | | | Customer Accessible Production Drawing | | Customer Accessible Production Drawing | |