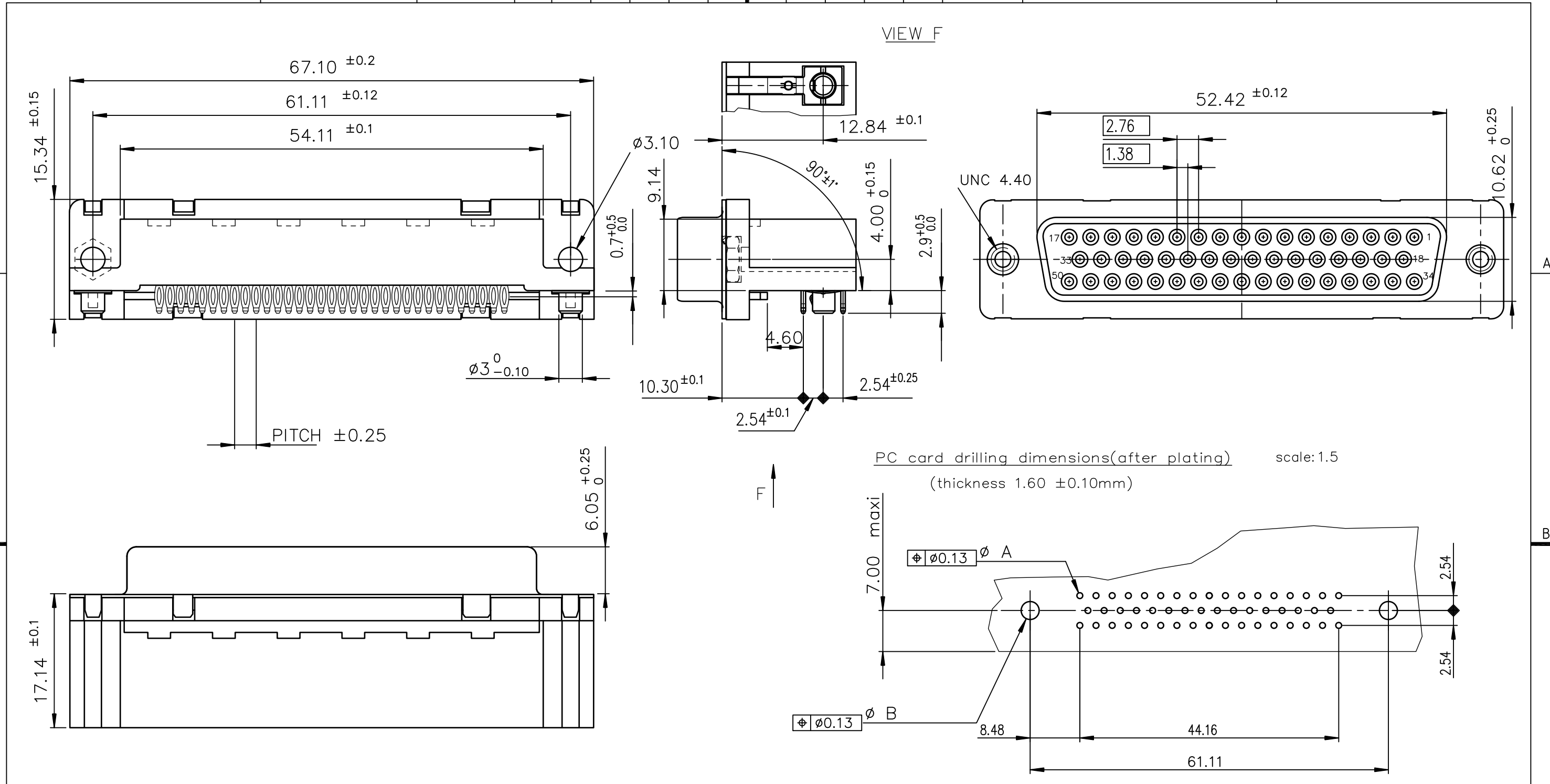




Copyright FCI



TIN LEAD PART NUMBER	
D50S82C4GX00	D50S82C6GX00
Gold flash	0.76 μ gold
LEAD FREE PART NUMBER	
D50S82C4GX00LF	D50S82C6GX00LF
Gold flash	0.76 μ gold

GENERAL CHARACTERISTICS AND ROHS INFORMATIONS:
SEE DRAWING C01-8646-0001

mat'l. code		surface		tolerance		projection		product family	
-		ISO 1302 ✓		ISO 406 ISO 1101				D-SUB	
ltr		ecn no		dr		date		title	
H		ELX-I-18050		MP		2014/06/23		DELTA-D EUROSTYLE FEMALE 50 RIGHT ANGLED PRESS FIT	
								dwg no	
								sheet 1 of 1	
								size	
								A3	
								type	
								Product Customer Drawing	
sheet index		revision sheet		H					
		1							