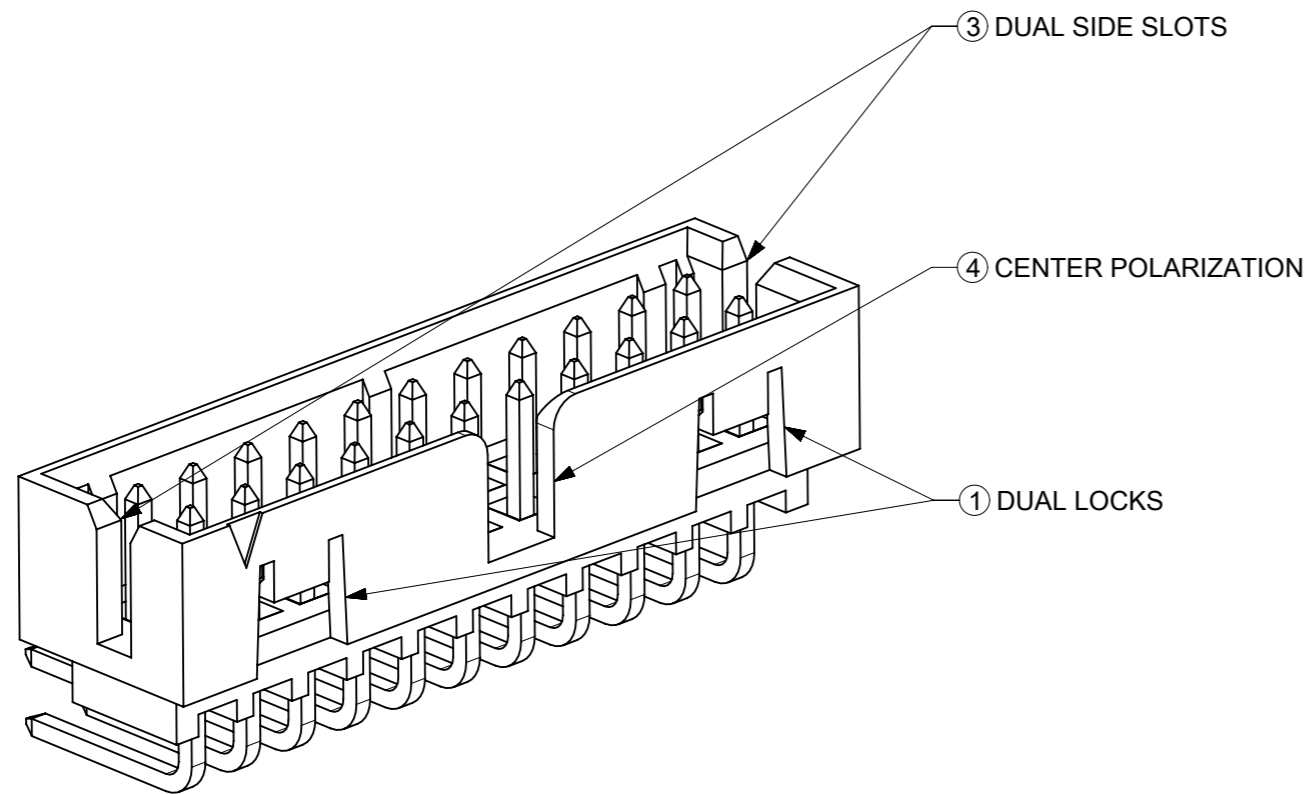
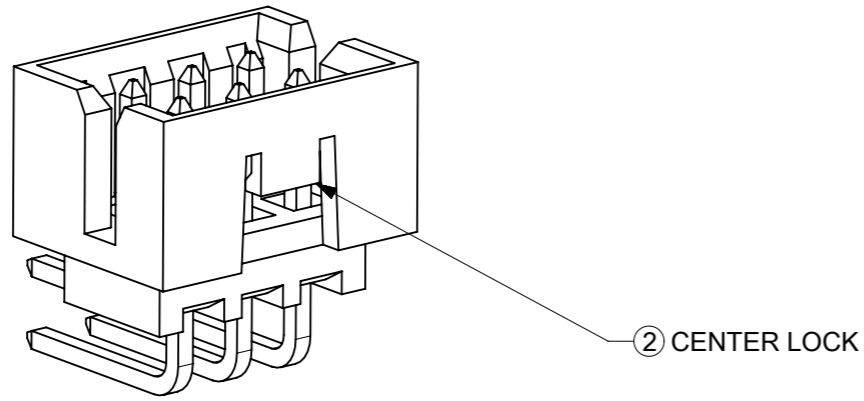


FEATURES SELECTION GUIDE



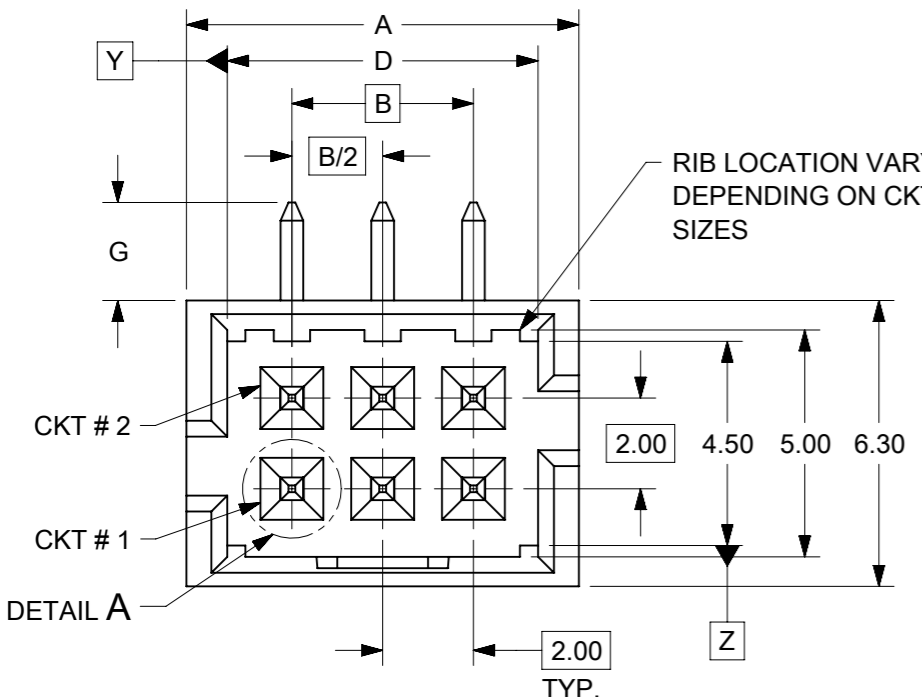
CIRCUIT SIZE	FEATURES				SHEET NO
	FRICTION LOCKS		③ DUAL SIDE SLOTS	④ CENTER POLARIZATION	
	① DUAL	② CENTER			
4 TO 6	N.A	N.A	YES	N.A	2 - 3
	N.A	YES	YES	N.A	
8 TO 12	N.A	N.A	YES	YES	4 - 5
	N.A	YES	YES	N.A	
14 TO 50	YES	N.A	YES	YES	6 - 9
	N.A	N.A	YES	YES	

PACKAGING SPECIFICATION TABLE

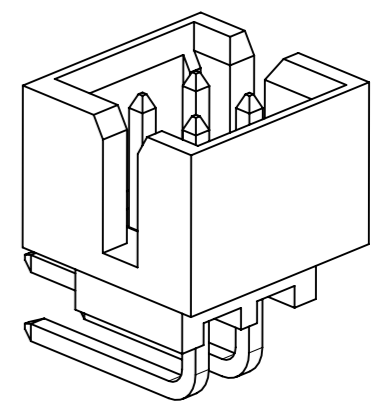
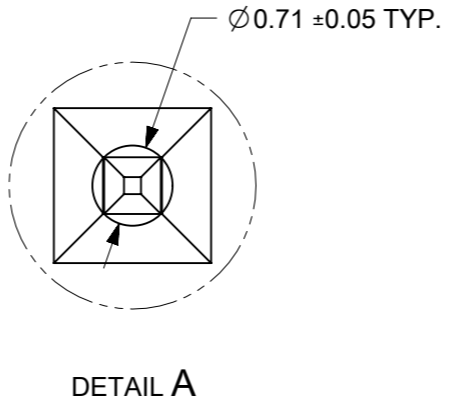
TAPE AND REEL PACKAGING	PK-87831-300
TUBE STANDARD PACKAGING	PK-87831-001
TUBE NON-STANDARD PACKAGING FOR: 87833-0861 87833-1420	PK-87831-002

THIS DRAWING CONTAINS INFORMATION THAT IS PROPRIETARY TO MOLEX ELECTRONIC TECHNOLOGIES, LLC AND SHOULD NOT BE USED WITHOUT WRITTEN PERMISSION

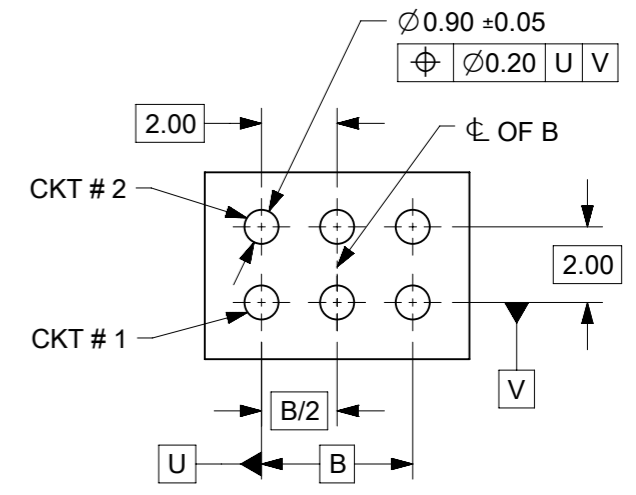
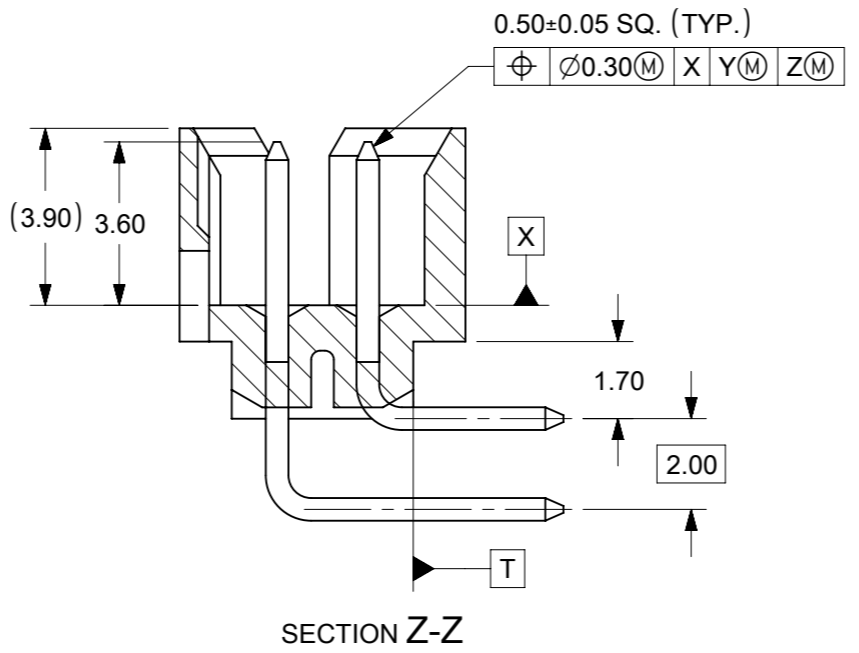
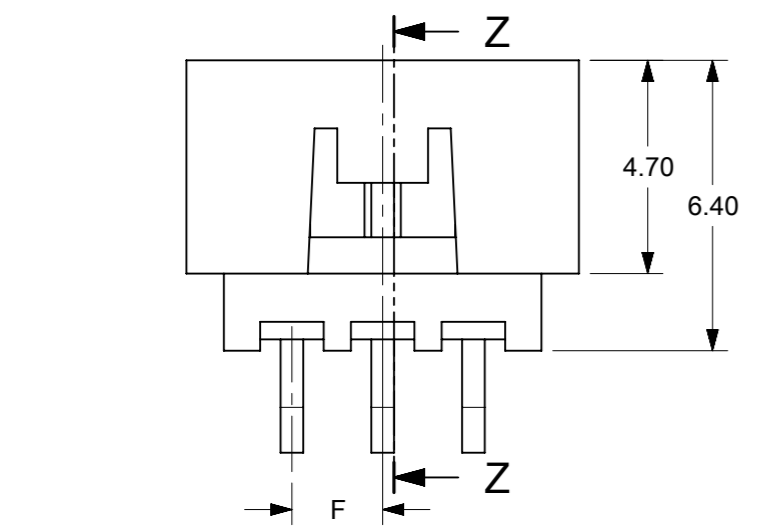
EC NO: 727481 DRWN: DANUSA CHK'D: DANUSA REV APPR: MIRAMAKRISHNA	2022/11/07	GENERAL TOLERANCES (UNLESS SPECIFIED)		DIMENSION UNITS	SCALE				
	2022/11/07	MM	INCH	MM	NTS				
	2022/11/07	4 PLACES ±	±	DRWN BY	DATE		MILLIGRID, 2MM PITCH SHROUDED HEADER R/A, THROUGH HOLE		
		3 PLACES ±	±	GMENARLY	2015/09/29				
		2 PLACES ± 0.2	±	CHK'D BY	DATE				
	1 PLACES ±	±	CGOH	2015/10/30					
	0 PLACES ±	±	APPR BY	DATE					
				KHLIM	2015/11/03	PRODUCT CUSTOMER DRAWING			
		ANGULAR TOL = 3.0		DRAWING SIZE	THIRD ANGLE PROJECTION	SERIES	MATERIAL NUMBER	CUSTOMER	
				A3		87833	SEE TABLE	GENERAL MARKET	
		DRAFT WHERE APPLICABLE MUST REMAIN WITHIN DIMENSIONS				DOCUMENT NUMBER	DOC TYPE	DOC PART	SHEET NUMBER
						SD-87833-0001	PSD	001	1 OF 9



4 TO 6 CIRCUITS



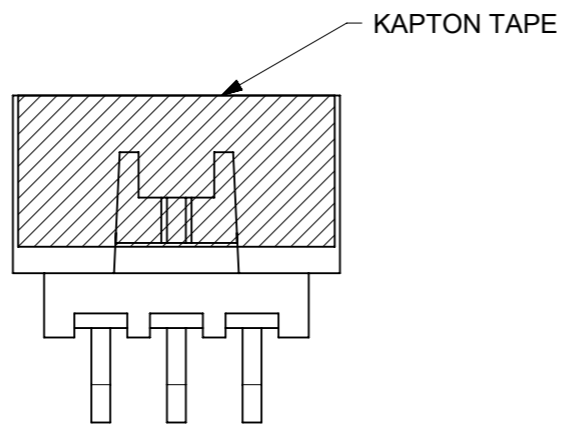
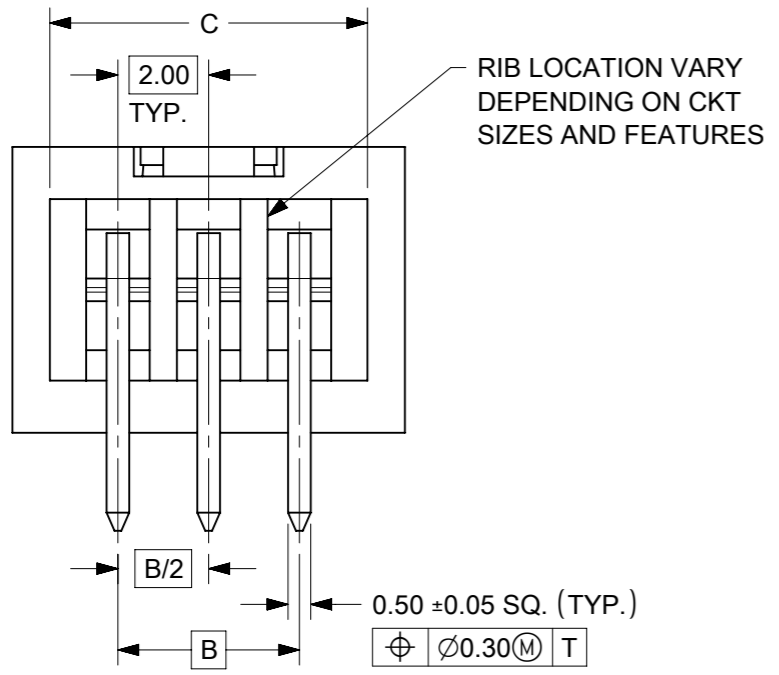
ISO VIEW OF HEADER
DUAL SIDE SLOTS



RECOMMENDED PCB LAYOUT

NOTES:

1. MATERIALS:
HOUSING: 30% GF, NYLON, UL94V-0, COLOR: BLACK.
PIN: 0.50mm SQ. PHOSPHOR BRONZE.
2. FINISHES: REFER TO PLATING OPTIONS.
3. PRODUCT SPECIFICATION: PS-87831-027
4. PACKAGING SPECIFICATION: SEE PACKAGING SPECS TABLE ON SHEET 1
5. MATES WITH: A. MOLEX CRIMP RECEPTACLE HOUSING: 51110 SERIES AND CRIMP TERMINAL: 50394 SERIES.
B. MOLEX 2MM MILLIGRID DUAL ROW IDT: 87568 SERIES.
C. MOLEX 2MM MILLIGRID DUAL ROW RECEPTACLE: 79107 (GOLD PLATED), 78787 (TIN PLATED)
6. FOR ILLUSTRATION PURPOSE, 6 CIRCUITS HEADER IS SHOWN.



THIS DRAWING CONTAINS INFORMATION THAT IS PROPRIETARY TO MOLEX ELECTRONIC TECHNOLOGIES, LLC AND SHOULD NOT BE USED WITHOUT WRITTEN PERMISSION

EC NO: 727481 DRWN: DANUSA CHK'D: DANUSA REV APPR: MIRAMAKRISHNA	GENERAL TOLERANCES (UNLESS SPECIFIED)		DIMENSION UNITS		SCALE					
			MM	INCH	MM	NTS				
	4 PLACES	±	±	DRWN BY	DATE		MILLIGRID, 2MM PITCH SHROUDED HEADER R/A, THROUGH HOLE			
	3 PLACES	±	±	GMENARLY	2015/09/29					
	2 PLACES	± 0.2	±	CHK'D BY	DATE		PRODUCT CUSTOMER DRAWING			
	1 PLACES	±	±	CGOH	2015/10/30					
	0 PLACES	±	±	APPR BY	DATE		SERIES: 87833 MATERIAL NUMBER: SEE TABLE CUSTOMER: GENERAL MARKET			
				KHLIM	2015/11/03					
	ANGULAR TOL = 3.0		DRAWING SIZE	THIRD ANGLE PROJECTION		DOCUMENT NUMBER: SD-87833-0001 DOC TYPE: PSD DOC PART: 001 SHEET NUMBER: 2 OF 9				
	DRAFT WHERE APPLICABLE MUST REMAIN WITHIN DIMENSIONS		A3							


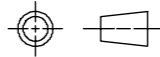
4 TO 6 CIRCUITS

CKT SIZE	ASSY. P/N WITHOUT KAPTON IN TUBE	ASSY. P/N WITH KAPTON IN TUBE	ASSY. P/N WITH KAPTON IN T&R	PLATING OPTIONS	FRICTION LOCKS		DUAL SIDE SLOTS	CENTER POLARIZATION	DIMENSION							
					DUAL	CENTER			A	B	C	D	E	F	G (SOLDER TAIL)	
4	87833-0419	N.A	N.A	1	N.A	N.A	YES	N.A	6.65	2.00	5.00	4.85	N.A	N.A	2.16	
	87833-0420	N.A	N.A	2												
	87833-0421	N.A	N.A	3												
	87833-5920	N.A	N.A	2	N.A	N.A	YES	N.A						N.A	1.00	2.16
	87833-0431	87833-0441	87833-0451	2	N.A	YES	YES	N.A								
	87833-0432	N.A	N.A	3	N.A	YES	YES	N.A						1.00	3.18	
	87833-0461	N.A	N.A	2												
87833-0619	N.A	N.A	1	N.A					N.A	YES	N.A	N.A	2.16			
87833-0620	N.A	87833-0626	2													
87833-0621	N.A	N.A	3													
87833-6420	N.A	N.A	2		N.A	N.A	YES	N.A						N.A	3.18	
87833-0631	87833-0641	87833-0651	2													
87833-0632	N.A	N.A	3		N.A	YES	YES	N.A						2.00	2.16	
87833-0661	N.A	N.A	2		N.A	YES	YES	N.A						2.00	3.18	
87833-0624	N.A	N.A	2		N.A	N.A	YES	N.A						N.A	2.92	
87833-0625	N.A	N.A	3													

PLATING OPTIONS:

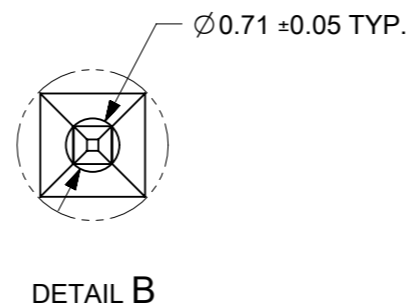
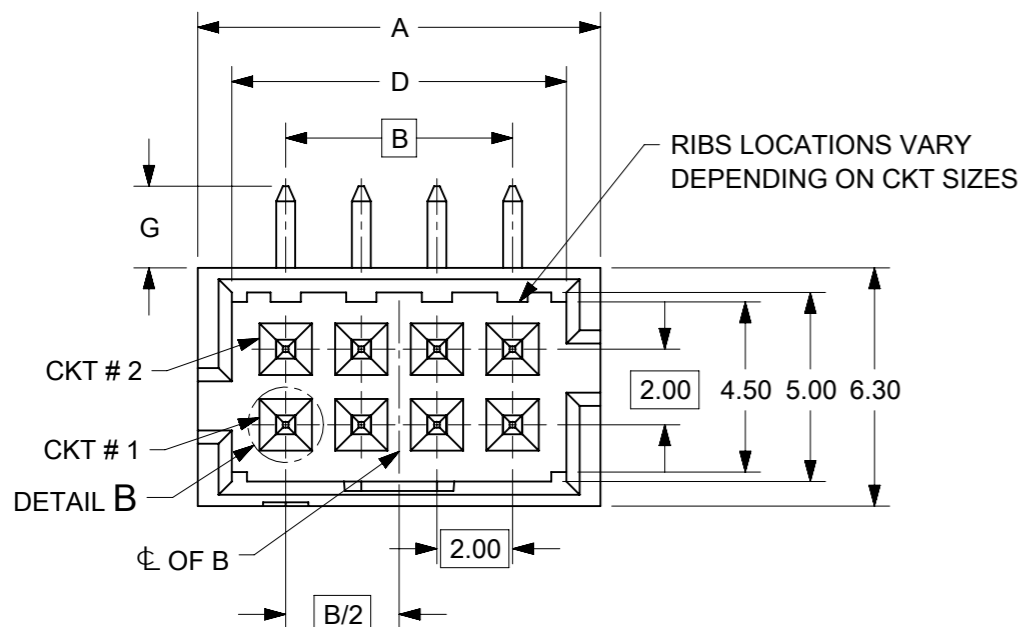
- 1 - 0.05-0.13µm/2-5µin GOLD IN CONTACT AREA AND
1.88µm/75µin MIN. MATTE TIN IN SOLDER TAIL AREA OVER
1.27µm/50µin MIN. NICKEL OVERALL.
- 2 - 0.38µm/15µin MIN. GOLD IN CONTACT AREA AND
1.88µm/75µin MIN. MATTE TIN IN SOLDER TAIL AREA OVER
1.27µm/50µin MIN. NICKEL OVERALL.
- 3 - 0.76µm/30µin MIN. GOLD IN CONTACT AREA AND
1.88µm/75µin MIN. MATTE TIN IN SOLDER TAIL AREA OVER
1.27µm/50µin MIN. NICKEL OVERALL.

THIS DRAWING CONTAINS INFORMATION THAT IS PROPRIETARY TO MOLEX ELECTRONIC TECHNOLOGIES, LLC AND SHOULD NOT BE USED WITHOUT WRITTEN PERMISSION

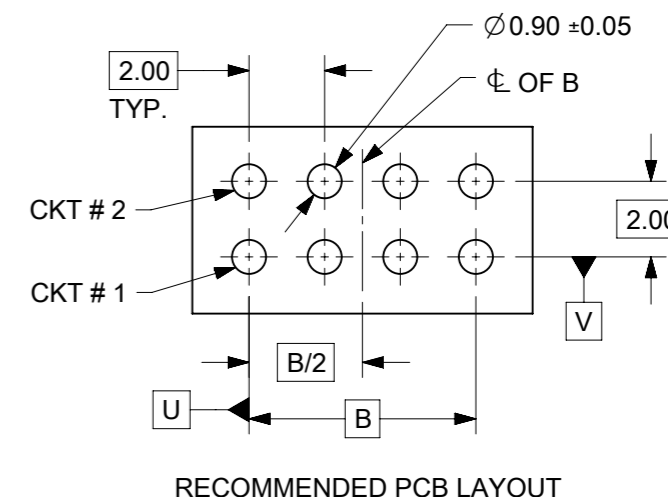
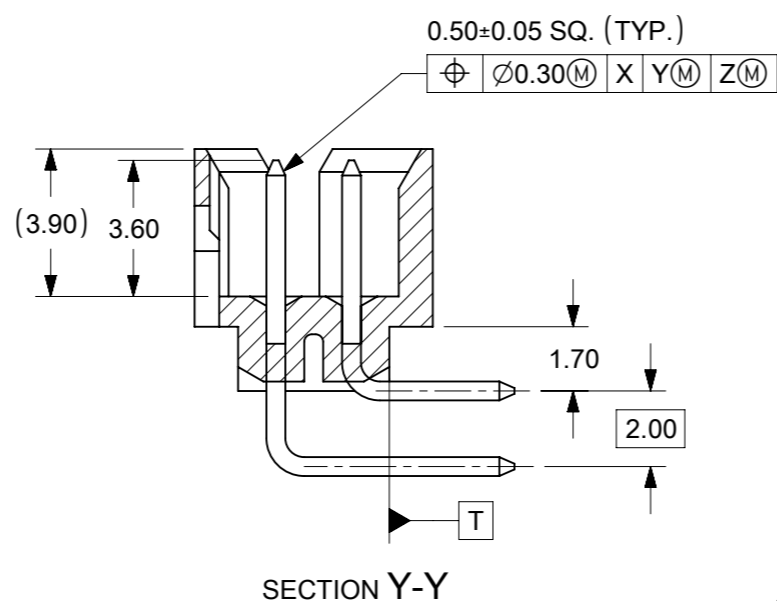
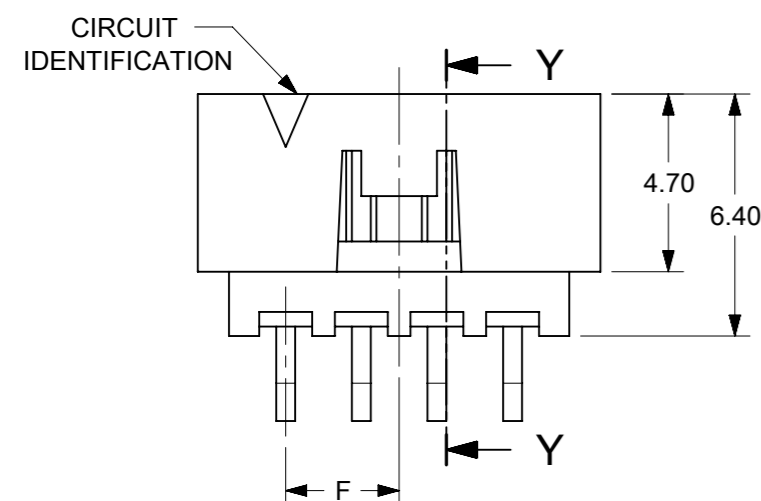
EC NO: 727481 DRWN: DANUSA CHK'D: DANUSA REV APPR: MIRAMAKRISHNA	2022/11/07	2022/11/07	2022/11/07	GENERAL TOLERANCES (UNLESS SPECIFIED)		DIMENSION UNITS		SCALE					
				MM	INCH	MM	NTS						
				4 PLACES	±	±	DRWN BY	DATE	MILLIGRID, 2MM PITCH SHROUDED HEADER R/A, THROUGH HOLE				
				3 PLACES	±	±	GMENARLY	2015/09/29					
				2 PLACES	± 0.2	±	CHK'D BY	DATE	PRODUCT CUSTOMER DRAWING				
				1 PLACES	±	±	CGOH	2015/10/30					
			0 PLACES	±	±	APPR BY	DATE	SERIES MATERIAL NUMBER CUSTOMER 87833 SEE TABLE GENERAL MARKET					
						KHLIM	2015/11/03						
			ANGULAR TOL = 3.0			DRAWING SIZE	THIRD ANGLE PROJECTION		DOCUMENT NUMBER DOC TYPE DOC PART SHEET NUMBER SD-87833-0001 PSD 001 3 OF 9				
			DRAFT WHERE APPLICABLE MUST REMAIN WITHIN DIMENSIONS			A3							

RELEASE STATUS	P1	RELEASE DATE	2022/11/07	17:03:16
----------------	----	--------------	------------	----------

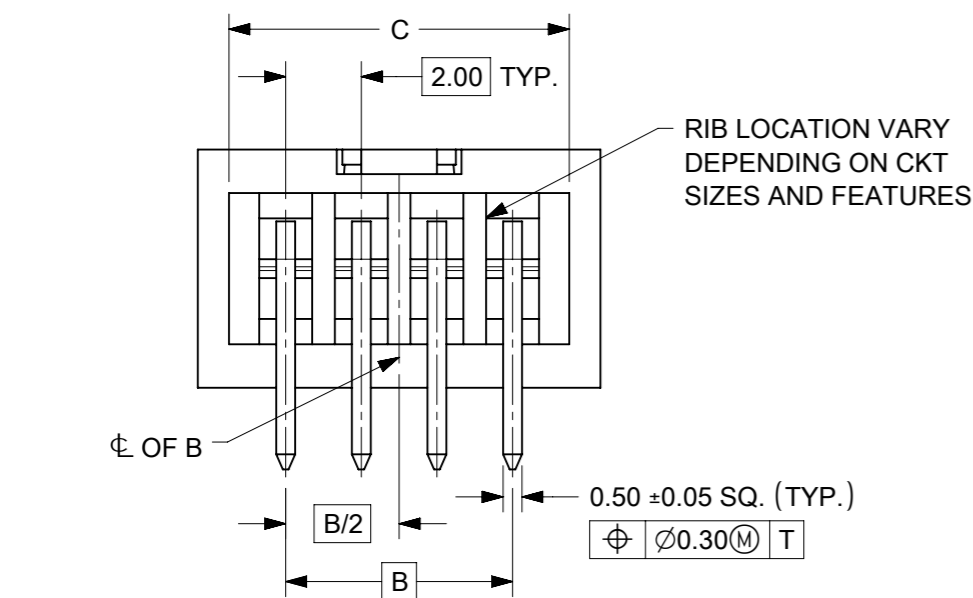
8 TO 12 CIRCUITS



ISO VIEW OF HEADER WITH CENTER POLARIZATION AND DUAL SIDE SLOTS



RECOMMENDED PCB LAYOUT



NOTES:

- MATERIALS:
HOUSING: 30% GF, NYLON, UL94V-0, COLOR: BLACK
PIN: 0.50mm SQ. PHOSPHOR BRONZE.
- FINISHES: REFER TO PLATING OPTIONS.
- PRODUCT SPECIFICATION: PS-87831-027
- PACKAGING SPECIFICATION: SEE PACKAGING SPECS TABLE ON SHEET 1
- MATES WITH: A. MOLEX CRIMP RECEPTACLE HOUSING: 51110 SERIES AND CRIMP TERMINAL: 50394 SERIES.
B. MOLEX 2mm MILLIGRID DUAL ROW IDT: 87568 SERIES.
C. MOLEX 2mm MILLIGRID DUAL ROW RECEPTACLE: 79107 (GOLD PLATED), 78787 (TIN PLATED)
- FOR ILLUSTRATION PURPOSE, 8 CIRCUIT HEADER IS SHOWN.

THIS DRAWING CONTAINS INFORMATION THAT IS PROPRIETARY TO MOLEX ELECTRONIC TECHNOLOGIES, LLC AND SHOULD NOT BE USED WITHOUT WRITTEN PERMISSION

EC NO: 727481 DRWN: DANUSA CHK'D: DANUSA REV APPR: MIRAMAKRISHNA	2022/11/07	GENERAL TOLERANCES (UNLESS SPECIFIED)		DIMENSION UNITS		SCALE		<p>MILLIGRID, 2MM PITCH SHROUDED HEADER R/A, THROUGH HOLE</p> <p>PRODUCT CUSTOMER DRAWING</p> <p>SERIES: 87833 MATERIAL NUMBER: SEE TABLE CUSTOMER: GENERAL MARKET</p> <p>DOCUMENT NUMBER: SD-87833-0001 DOC TYPE: PSD DOC PART: 001 SHEET NUMBER: 4 OF 9</p>			
	2022/11/07	MM	INCH	MM	NTS						
	2022/11/07	4 PLACES	±	±	DRWN BY: GMENARLY	DATE: 2015/09/29					
		3 PLACES	±	±	CHK'D BY: CGOH	DATE: 2015/10/30					
		2 PLACES	±	0.2	±	APPR BY: KHLIM	DATE: 2015/11/03				
	1 PLACES	±	±								
	0 PLACES	±	±								
		ANGULAR TOL = 3.0		DRAWING SIZE: A3	THIRD ANGLE PROJECTION						
		DRAFT WHERE APPLICABLE MUST REMAIN WITHIN DIMENSIONS									


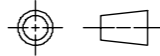
8 TO 12 CIRCUITS

CKT SIZE	ASSY. P/N WITHOUT KAPTON IN TUBE	ASSY. P/N WITH KAPTON IN TUBE	ASSY. P/N WITH KAPTON IN T&R	PLATING OPTIONS	FRICTION LOCKS		DUAL SIDE SLOTS	CENTER POLARIZATION	DIMENSION							
					DUAL	CENTER			A	B	C	D	E	F	G (SOLDER TAIL)	
8	87833-0819	N.A	N.A	1	N.A	N.A	YES	YES	10.65	6.00	9.00	8.85	N.A	N.A	2.16	
	87833-0820	N.A	N.A	2												
	87833-0821	N.A	87833-7621	3												
	87833-6320	N.A	N.A	2	N.A	N.A	YES	YES						N.A	3.00	2.16
	87833-6321	N.A	N.A	3												
	87833-0831	87833-0841	87833-0851	2	N.A	YES	YES	N.A						3.00	3.18	
	87833-0832	N.A	N.A	3												
	87833-0861	N.A	N.A	2	N.A	YES	YES	N.A						3.00	3.18	
	87833-0824	N.A	N.A	2												
	87833-0825	N.A	N.A	3	N.A	N.A	YES	YES						N.A	2.92	
87833-1019	N.A	N.A	1													
10	87833-1020	N.A	87833-1026	2	N.A	N.A	YES	YES	12.65	8.00	11.00	10.85	N.A	N.A	2.16	
	87833-1021	N.A	N.A	3												
	87833-1031	N.A	87833-1027	2												
	87833-1032	N.A	N.A	3	N.A	YES	YES	N.A						4.00	2.16	
	N.A	87833-1041	87833-1051	2												
	87833-1024	N.A	N.A	2	N.A	N.A	YES	YES						N.A	2.92	
	87833-1025	N.A	N.A	3												
	12	87833-1219	N.A	N.A	1	N.A	N.A	YES						YES	14.65	10.00
87833-1220		N.A	87833-1240	2												
87833-1221		N.A	N.A	3												
87833-6020		N.A	N.A	2	N.A	N.A	YES	YES	N.A	3.18						
87833-1231		N.A	N.A	2												
87833-1232		N.A	N.A	3	N.A	YES	YES	N.A	5.00	2.16						
87833-1224		N.A	N.A	2												
87833-1225		N.A	N.A	3	N.A	N.A	YES	YES	N.A	2.92						

PLATING OPTIONS:

- 1 - 0.05-0.13µm/2-5µin GOLD IN CONTACT AREA AND 1.88µm/75µin MIN. MATTE TIN IN SOLDER TAIL AREA OVER 1.27µm/50µin MIN. NICKEL OVERALL.
- 2 - 0.38µm/15µin MIN. GOLD IN CONTACT AREA AND 1.88µm/75µin MIN. MATTE TIN IN SOLDER TAIL AREA OVER 1.27µm/50µin MIN. NICKEL OVERALL.
- 3 - 0.76µm/30µin MIN. GOLD IN CONTACT AREA AND 1.88µm/75µin MIN. MATTE TIN IN SOLDER TAIL AREA OVER 1.27µm/50µin MIN. NICKEL OVERALL.

THIS DRAWING CONTAINS INFORMATION THAT IS PROPRIETARY TO MOLEX ELECTRONIC TECHNOLOGIES, LLC AND SHOULD NOT BE USED WITHOUT WRITTEN PERMISSION

EC NO: 727481 DRWN: DANUSA CHKD: DANUSA REV APPR: MIRAMAKRISHNA	2022/11/07	GENERAL TOLERANCES (UNLESS SPECIFIED)		DIMENSION UNITS		SCALE					
	2022/11/07	MM	INCH	MM	NTS	MILLIGRID, 2MM PITCH SHROUDED HEADER R/A, THROUGH HOLE					
	2022/11/07	4 PLACES ±	±	DRWN BY	DATE					PRODUCT CUSTOMER DRAWING	
		3 PLACES ±	±	GMENARLY	2015/09/29	SERIES	MATERIAL NUMBER	CUSTOMER			
		2 PLACES ± 0.2	±	CHK'D BY	DATE	87833	SEE TABLE	GENERAL MARKET			
	1 PLACES ±	±	CGOH	2015/10/30	DOCUMENT NUMBER				DOC TYPE	DOC PART	SHEET NUMBER
	0 PLACES ±	±	APPR BY	DATE	SD-87833-0001				PSD	001	5 OF 9
			KHLIM	2015/11/03	DRAWING SIZE		THIRD ANGLE PROJECTION				
			ANGULAR TOL = 3.0		A3						
			DRAFT WHERE APPLICABLE MUST REMAIN WITHIN DIMENSIONS								

RELEASE STATUS	P1	RELEASE DATE	2022/11/07	17:03:16
----------------	----	--------------	------------	----------

14 TO 50 CIRCUITS



ISO VIEW OF HEADER WITH CENTER POLARIZATION AND DUAL SIDE SLOTS



- NOTES:
- MATERIALS:
HOUSING: 30% GF, NYLON, UL94V-0, COLOR: BLACK.
PIN: 0.50mm SQ PHOSPHOR BRONZE.
 - FINISHES: REFER TO PLATING OPTIONS.
 - PRODUCT SPECIFICATION: PS-87831-027
 - PACKAGING SPECIFICATION: SEE PACKAGING SPECS TABLE ON SHEET 1
 - MATES WITH: A. MOLEX CRIMP RECEPTACLE HOUSING: 51110 SERIES AND CRIMP TERMINAL: 50394 SERIES.
B. MOLEX 2mm MILLIGRID DUAL ROW IDT: 87568 SERIES.
C. MOLEX 2mm MILLIGRID DUAL ROW RECEPTACLE: 79107 (GOLD PLATED), 78787 (TIN PLATED)
 - FOR ILLUSTRATION PURPOSE, 22 CIRCUITS HEADER IS SHOWN.

THIS DRAWING CONTAINS INFORMATION THAT IS PROPRIETARY TO MOLEX ELECTRONIC TECHNOLOGIES, LLC AND SHOULD NOT BE USED WITHOUT WRITTEN PERMISSION

EC NO: 727481 DRWN: DANUSA CHK'D: DANUSA REV APPR: MIRAMAKRISHNA	2022/11/07	GENERAL TOLERANCES (UNLESS SPECIFIED)		DIMENSION UNITS	SCALE	
	2022/11/07	MM	INCH	MM	NTS	
	2022/11/07	4 PLACES ±	±	DRWN BY	DATE	
		3 PLACES ±	±	GMENARLY	2015/09/29	
		2 PLACES ± 0.2	±	CHK'D BY	DATE	MILLIGRID, 2MM PITCH SHROUDED HEADER R/A, THROUGH HOLE
		1 PLACES ±	±	CGOH	2015/10/30	
		0 PLACES ±	±	APPR BY	DATE	
		ANGULAR TOL = 3.0		KHLIM	2015/11/03	PRODUCT CUSTOMER DRAWING
		DRAFT WHERE APPLICABLE MUST REMAIN WITHIN DIMENSIONS		DRAWING SIZE	THIRD ANGLE PROJECTION	SERIES
				A3		87833
						MATERIAL NUMBER
						SEE TABLE
						CUSTOMER
						GENERAL MARKET
						DOCUMENT NUMBER
						SD-87833-0001
						DOC TYPE
						PSD
						DOC PART
						001
						SHEET NUMBER
						6 OF 9


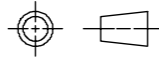
14 TO 24 CIRCUITS

CKT SIZE	ASSY. P/N WITHOUT KAPTON IN TUBE	ASSY. P/N WITH KAPTON IN TUBE	ASSY. P/N WITH KAPTON IN T&R	ASSY. P/N WITHOUT KAPTON IN T&R	PLATING OPTIONS	FRICTION LOCKS		DUAL SIDE SLOTS	CENTER POLARIZATION	DIMENSION						
						DUAL	CENTER			A	B	C	D	E	F	G (SOLDER TAIL)
14	87833-1419	N.A	N.A	N.A	1	YES	N.A	YES	YES	16.65	12.00	15.00	14.85	8.00	N.A	2.16
	87833-1420	N.A	N.A	N.A	2											3.18
	87833-1421	N.A	N.A	N.A	3											3.50
	87833-5320	N.A	N.A	N.A	2	YES	N.A	YES	YES							1.70
	87833-5321	N.A	N.A	N.A	3											2.16
	87833-1436	N.A	N.A	N.A	3											3.18
	N.A	N.A	87833-7420	N.A	2											3.50
16	87833-1619	N.A	N.A	N.A	1	YES	N.A	YES	YES	18.65	14.00	17.00	16.85	10.00	N.A	2.16
	87833-1620	N.A	N.A	N.A	2											3.18
	87833-1621	N.A	87833-7821	N.A	3											2.16
	87833-6120	N.A	87833-7120	N.A	2											3.18
18	87833-1819	N.A	N.A	N.A	1	YES	N.A	YES	YES	20.65	16.00	19.00	18.85	12.00	N.A	2.16
	87833-1820	N.A	N.A	N.A	2											3.18
	87833-1821	N.A	N.A	N.A	3											2.16
	87833-6220	N.A	N.A	N.A	2											3.18
20	87833-2019	N.A	N.A	N.A	1	YES	N.A	YES	YES	22.65	18.00	21.00	20.85	14.00	N.A	2.16
	87833-2020	N.A	87833-7220	N.A	2											3.18
	87833-2021	N.A	N.A	N.A	3											3.50
	87833-6520	N.A	N.A	N.A	2											2.16
	87833-6521	N.A	N.A	A14 87833-2037	3											3.18
	87833-2036	N.A	N.A	N.A	3											3.50
22	87833-2219	N.A	N.A	N.A	1	YES	N.A	YES	YES	24.65	20.00	23.00	22.85	16.00	N.A	2.16
	87833-2220	N.A	N.A	N.A	2											2.16
	87833-2221	N.A	N.A	N.A	3											2.16
24	87833-2419	N.A	N.A	N.A	1	YES	N.A	YES	YES	26.65	22.00	25.00	24.85	18.00	N.A	2.16
	87833-2420	N.A	87833-7020	N.A	2											2.00
	87833-2421	N.A	N.A	N.A	3											3.50
	87833-7320	N.A	N.A	N.A	2											3.27
	87833-2436	N.A	N.A	N.A	3											2.16
	87833-6920	N.A	N.A	N.A	2											2.16

PLATING OPTIONS:

- 1 - 0.05-0.13µm/2-5µin GOLD IN CONTACT AREA AND 1.88µm/75µin MIN. MATTE TIN IN SOLDER TAIL AREA OVER 1.27µm/50µin MIN. NICKEL OVERALL.
- 2 - 0.38µm/15µin MIN. GOLD IN CONTACT AREA AND 1.88µm/75µin MIN. MATTE TIN IN SOLDER TAIL AREA OVER 1.27µm/50µin MIN. NICKEL OVERALL.
- 3 - 0.76µm/30µin MIN. GOLD IN CONTACT AREA AND 1.88µm/75µin MIN. MATTE TIN IN SOLDER TAIL AREA OVER 1.27µm/50µin MIN. NICKEL OVERALL.

THIS DRAWING CONTAINS INFORMATION THAT IS PROPRIETARY TO MOLEX ELECTRONIC TECHNOLOGIES, LLC AND SHOULD NOT BE USED WITHOUT WRITTEN PERMISSION

EC NO: 727481 DRWN: DANUSA CHK'D: DANUSA REV APPR: MIRAMAKRISHNA	2022/11/07	GENERAL TOLERANCES (UNLESS SPECIFIED)		DIMENSION UNITS		SCALE				
	2022/11/07	MM	INCH	MM	NTS	DRWN BY DATE				
	2022/11/07	4 PLACES ±	±	GMENARLY	2015/09/29	CHK'D BY DATE				
		3 PLACES ±	±	CGOH	2015/10/30	APPR BY DATE				
	2 PLACES ± 0.2	±	KHLIM	2015/11/03	DRAWING SIZE		THIRD ANGLE PROJECTION			
	1 PLACES ±	±	ANGULAR TOL = 3.0		A3			PRODUCT CUSTOMER DRAWING		
	0 PLACES ±	±	DRAFT WHERE APPLICABLE MUST REMAIN WITHIN DIMENSIONS						SERIES MATERIAL NUMBER CUSTOMER	
									87833 SEE TABLE GENERAL MARKET	
									DOCUMENT NUMBER DOC TYPE DOC PART SHEET NUMBER	
									SD-87833-0001 PSD 001 7 OF 9	


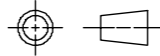
26 TO 38 CIRCUITS

CKT SIZE	ASSY. P/N WITHOUT KAPTON IN TUBE	ASSY. P/N WITH KAPTON IN TUBE	ASSY. P/N WITH KAPTON IN T&R	PLATING OPTIONS	FRICTION LOCKS		DUAL SIDE SLOTS	CENTER POLARIZATION	DIMENSION							
					DUAL	CENTER			A	B	C	D	E	F	G (SOLDER TAIL)	
26	87833-2619	N.A	N.A	1												
	87833-2620	N.A	N.A	2	YES	N.A	YES	YES	28.65	24.00	27.00	26.85	20.00	N.A	2.16	
	87833-2621	N.A	N.A	3												
	87833-2636	N.A	N.A	3	YES	N.A	YES	YES								3.50
87833-2819	N.A	N.A	1													
28	87833-2820	N.A	N.A	2	YES	N.A	YES	YES	30.65	26.00	29.00	28.85	22.00	N.A	2.16	
	87833-2821	N.A	N.A	3												
	87833-6620	N.A	N.A	2	YES	N.A	YES	YES								3.18
	87833-3019	N.A	N.A	1												
30	87833-3020	N.A	N.A	2	YES	N.A	YES	YES	32.65	28.00	31.00	30.85	24.00	N.A	2.16	
	87833-3021	N.A	N.A	3												
	87833-6720	N.A	N.A	2	YES	N.A	YES	YES								3.18
	87833-6721	N.A	N.A	3												
	87833-3036	N.A	N.A	3	YES	N.A	YES	YES							3.50	
	87833-3219	N.A	N.A	1												
32	87833-3220	N.A	N.A	2	YES	N.A	YES	YES	34.65	30.00	33.00	32.85	26.00	N.A	2.16	
	87833-3221	N.A	N.A	3												
	87833-3419	N.A	N.A	1												
34	87833-3420	N.A	N.A	2	YES	N.A	YES	YES	36.65	32.00	35.00	34.85	28.00	N.A	2.16	
	87833-3421	N.A	N.A	3												
	87833-5420	N.A	N.A	2	YES	N.A	YES	YES								3.18
	87833-3424	N.A	N.A	2	N.A	N.A	YES	YES							2.92	
	87833-3619	N.A	N.A	1												
36	87833-3620	N.A	N.A	2	YES	N.A	YES	YES	38.65	34.00	37.00	36.85	30.00	N.A	2.16	
	87833-3621	N.A	N.A	3												
	87833-3819	N.A	N.A	1												
38	87833-3820	N.A	N.A	2	YES	N.A	YES	YES	40.65	36.00	39.00	38.85	32.00	N.A	2.16	
	87833-3821	N.A	N.A	3												

PLATING OPTIONS:

- 1 - 0.05-0.13µm/2-5µin GOLD IN CONTACT AREA AND 1.88µm/75µin MIN. MATTE TIN IN SOLDER TAIL AREA OVER 1.27µm/50µin MIN. NICKEL OVERALL.
- 2 - 0.38µm/15µin MIN. GOLD IN CONTACT AREA AND 1.88µm/75µin MIN. MATTE TIN IN SOLDER TAIL AREA OVER 1.27µm/50µin MIN. NICKEL OVERALL.
- 3 - 0.76µm/30µin MIN. GOLD IN CONTACT AREA AND 1.88µm/75µin MIN. MATTE TIN IN SOLDER TAIL AREA OVER 1.27µm/50µin MIN. NICKEL OVERALL.

THIS DRAWING CONTAINS INFORMATION THAT IS PROPRIETARY TO MOLEX ELECTRONIC TECHNOLOGIES, LLC AND SHOULD NOT BE USED WITHOUT WRITTEN PERMISSION

EC NO: 727481 DRWN: DANUSA CHKD: DANUSA REV APPR: MIRAMAKRISHNA	2022/11/07	GENERAL TOLERANCES (UNLESS SPECIFIED)		DIMENSION UNITS		SCALE										
	2022/11/07	MM	INCH	MM	NTS	DRWN BY						DATE				
	2022/11/07	4 PLACES ±	±	GMENARLY	2015/09/29	CHK'D BY		DATE		MILLIGRID, 2MM PITCH SHROUDED HEADER R/A, THROUGH HOLE						
		3 PLACES ±	±	CGOH	2015/10/30	APPR BY		DATE								
		2 PLACES ±	0.2	±	KHLIM	2015/11/03	DRAWING SIZE		THIRD ANGLE PROJECTION							
	1 PLACES ±	±			A3				PRODUCT CUSTOMER DRAWING							
	0 PLACES ±	±			ANGULAR TOL = 3.0				SERIES		MATERIAL NUMBER		CUSTOMER			
					DRAFT WHERE APPLICABLE MUST REMAIN WITHIN DIMENSIONS				87833		SEE TABLE		GENERAL MARKET			
									DOCUMENT NUMBER		DOC TYPE		DOC PART		SHEET NUMBER	
									SD-87833-0001		PSD		001		8 OF 9	

40 TO 50 CIRCUITS

CKT SIZE	ASSY. P/N WITHOUT KAPTON IN TUBE	ASSY. P/N WITH KAPTON IN TUBE	ASSY. P/N WITH KAPTON IN T&R	ASSY. P/N WITHOUT KAPTON IN T&R	PLATING OPTIONS	FRICTION LOCKS		DUAL SIDE SLOTS	CENTER POLARIZATION	DIMENSION										
						DUAL	CENTER			A	B	C	D	E	F	G (SOLDER TAIL)				
40	87833-4019	N.A	N.A	N.A	1															
	87833-4020	N.A	N.A	N.A	2	YES	N.A	YES	YES	42.65	38.00	41.00	40.85	34.00	N.A	2.16				
	87833-4021	N.A	N.A	N.A	3															
42	87833-4219	N.A	N.A	N.A	1															
	87833-4220	N.A	N.A	N.A	2	YES	N.A	YES	YES	44.65	40.00	43.00	42.85	36.00	N.A	2.16				
	87833-4221	N.A	N.A	N.A	3															
	87833-4222	N.A	87833-4322	87833-4223	3	YES	N.A	YES	YES							3.50				
44	87833-4419	N.A	N.A	N.A	1															
	87833-4420	N.A	N.A	N.A	2					44.65	40.00	43.00	42.85	2.16	42.00	45.00	44.85	38.00	N.A	2.16
	87833-4421	N.A	N.A	N.A	3															
	87833-4424	N.A	N.A	N.A	2	N.A	N.A	YES	YES											
	87833-4425	N.A	N.A	N.A	3															
46	87833-4619	N.A	N.A	N.A	1															
	87833-4620	N.A	N.A	N.A	2	YES	N.A	YES	YES	48.65	44.00	47.00	46.85	40.00	N.A	2.16				
	87833-4621	N.A	N.A	N.A	3															
48	87833-4819	N.A	N.A	N.A	1															
	87833-4820	N.A	N.A	N.A	2	YES	N.A	YES	YES	50.65	46.00	49.00	48.85	42.00	N.A	2.16				
	87833-4821	N.A	N.A	N.A	3															
50	87833-5019	N.A	N.A	N.A	1															
	87833-5020	N.A	N.A	N.A	2	YES	N.A	YES	YES	52.65	48.00	51.00	50.85	44.00	N.A	2.16				
	87833-5021	N.A	N.A	N.A	3															

PLATING OPTIONS:

- 1 - 0.05-0.13µm/2-5µin GOLD IN CONTACT AREA AND 1.88µm/75µin MIN. MATTE TIN IN SOLDER TAIL AREA OVER 1.27µm/50µin MIN. NICKEL OVERALL.
- 2 - 0.38µm/15µin MIN. GOLD IN CONTACT AREA AND 1.88µm/75µin MIN. MATTE TIN IN SOLDER TAIL AREA OVER 1.27µm/50µin MIN. NICKEL OVERALL.
- 3 - 0.76µm/30µin MIN. GOLD IN CONTACT AREA AND 1.88µm/75µin MIN. MATTE TIN IN SOLDER TAIL AREA OVER 1.27µm/50µin MIN. NICKEL OVERALL.

THIS DRAWING CONTAINS INFORMATION THAT IS PROPRIETARY TO MOLEX ELECTRONIC TECHNOLOGIES, LLC AND SHOULD NOT BE USED WITHOUT WRITTEN PERMISSION

EC NO: 727481 DRWN: DANUSA CHK'D: DANUSA REV APPR: MIRAMAKRISHNA	GENERAL TOLERANCES (UNLESS SPECIFIED)		DIMENSION UNITS		SCALE		molex®			
			MM	INCH	MM	NTS				
	4 PLACES	±			DRWN BY	DATE	MILLIGRID, 2MM PITCH SHROUDED HEADER R/A, THROUGH HOLE			
	3 PLACES	±			GMENARLY	2015/09/29				
	2 PLACES	± 0.2			CHK'D BY	DATE				
	1 PLACES	±			CGOH	2015/10/30	PRODUCT CUSTOMER DRAWING			
0 PLACES	±			APPR BY	DATE					
ANGULAR TOL = 3.0		DRAWING SIZE		THIRD ANGLE PROJECTION		SERIES	MATERIAL NUMBER	CUSTOMER		
DRAFT WHERE APPLICABLE MUST REMAIN WITHIN DIMENSIONS		A3				87833	SEE TABLE	GENERAL MARKET		
						DOCUMENT NUMBER		DOC TYPE	DOC PART	SHEET NUMBER
						SD-87833-0001		PSD	001	9 OF 9