

TIN LEAD PART NUMBER
 Part number **HM1L52ZDP500H6P**

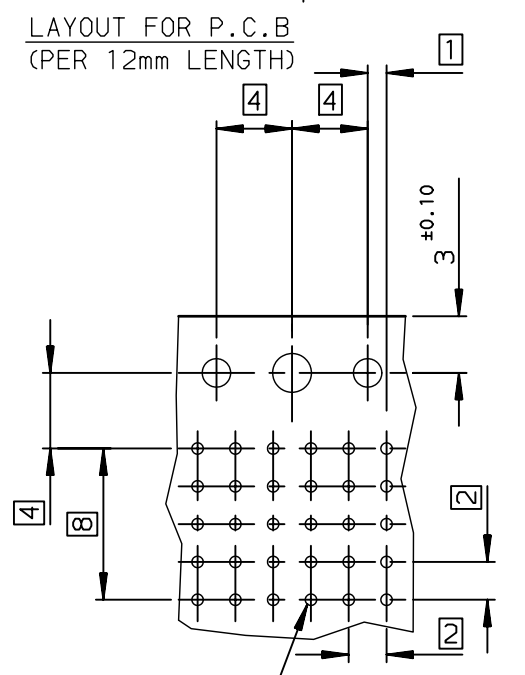
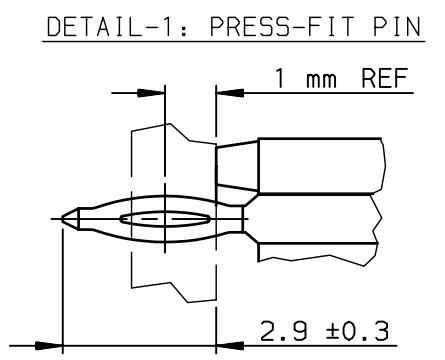
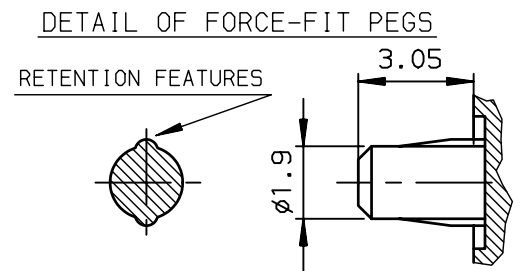
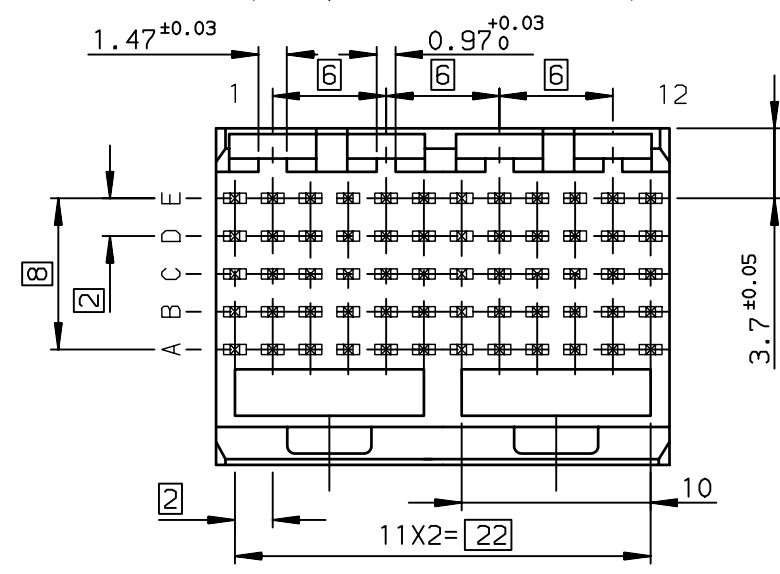
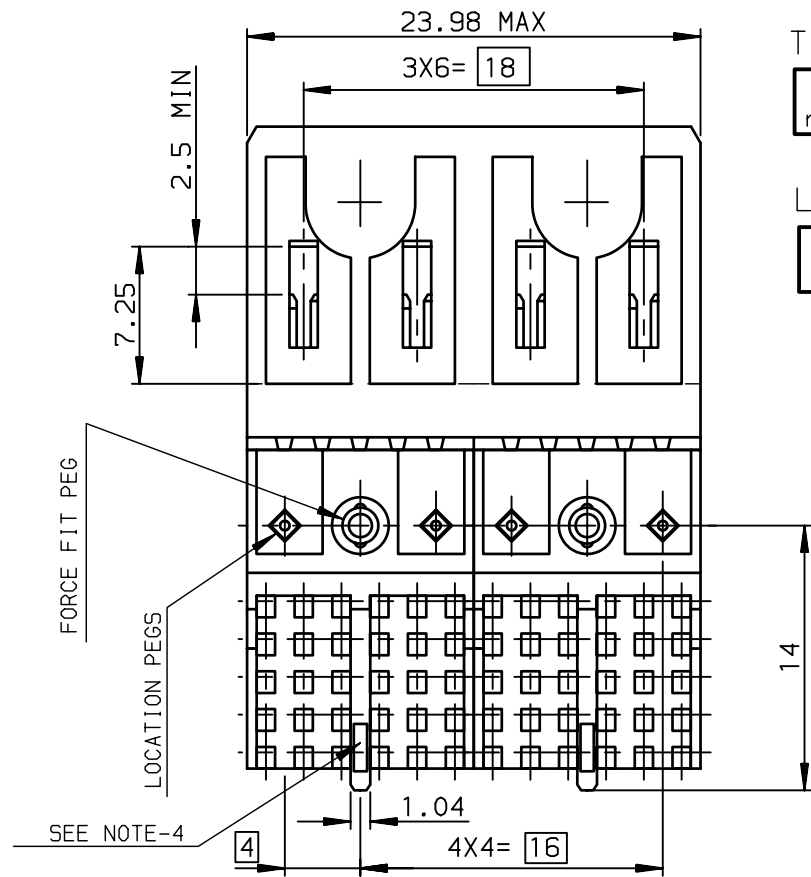
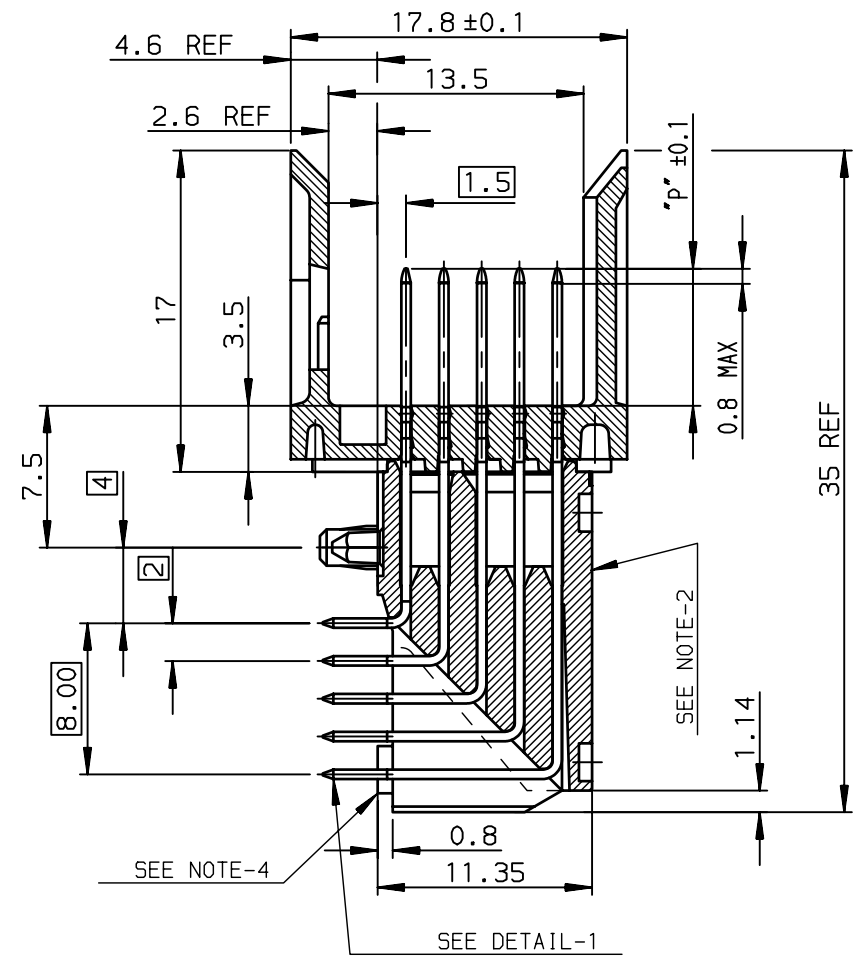
LEAD FREE PART NUMBER
 number **HM1L52ZDP500H6PLF**

TABLE-1

CONTACT CODE	QTE	
	DIM-P	DIM-D
01	5.00	-
02	5.75	-
03	6.50	50
04	7.25	10
19	8.00	--

FIGURE-1

	1	2	3	4	5	6	7	8	9	10	11	12
E	03	03	03	03	03	03	03	03	03	03	03	03
D	03	03	03	03	03	03	03	03	03	03	03	03
C	03	03	03	03	03	03	03	03	03	03	03	03
B	03	03	03	03	03	03	03	03	03	03	03	03
A	04	04	04	03	03	04	04	04	04	04	04	04



SPECIFIC DATAS: SELECTIVE CONTACT LOADING
 NOTE-2: FLAT ROCK INSERTION TOOLING, ON ALL THIS SURFACE
 NOTE-3: EYE OF THE NEEDLE PRESS FIT PIN TYPE
 NOTE-4: REAR CENTRAL SUPPORT FOR BETTER ASSY ON PCB
 NOTE-5: IF SUFFIX "P" IS ADDED IN P/N PACKAGING IS IN TRAYS BUT CONNECTOR MARKING IS WITHOUT "P"
 EXAMPLE: HM1XXXXXXXXXH6P, MARKED HM1XXXXXXXXXH6

rev	ecn no	dr	date
A	LS06-0019	MLE	2006/03/27
B	LS06-0097	LGO	2006/07/21
C	LS07-0028	MLE	2007/01/29
D	LS07-0184	MLE	2007/07/27

GENERAL CHARACTERISTICS AND ROHS INFORMATIONS:

SEE PRODUCT SPECIFICATION GS-12-445

European Views

www.fciconnect.com		surface ISO 1302 ✓	tolerance std ISO 406 ISO 1101	projection mm
TOLERANCES UNLESS OTHERWISE SPECIFIED				size A3
Dr	LENOIR	26/08/32	ANGULAR	Scale 2.5
Eng	LENOIR	2006/03/27	LINEAR	ECN LS07-0184
Chr	LEGARE	2006/03/27	0.xx' ± 2'	Spec ref -
Appr	LEGARE	2006/03/27	Product family METRAL	
FCi		title METRAL RA HDR 5 ROW PFIT 2MOD - Specific Loading		Rev. D
catalog no		dwg no C-8626-11311		sheet 1 of 1

Hole according to product spec
 GS-12-445 (For press-fit),
 GS-12-446 (For STB)