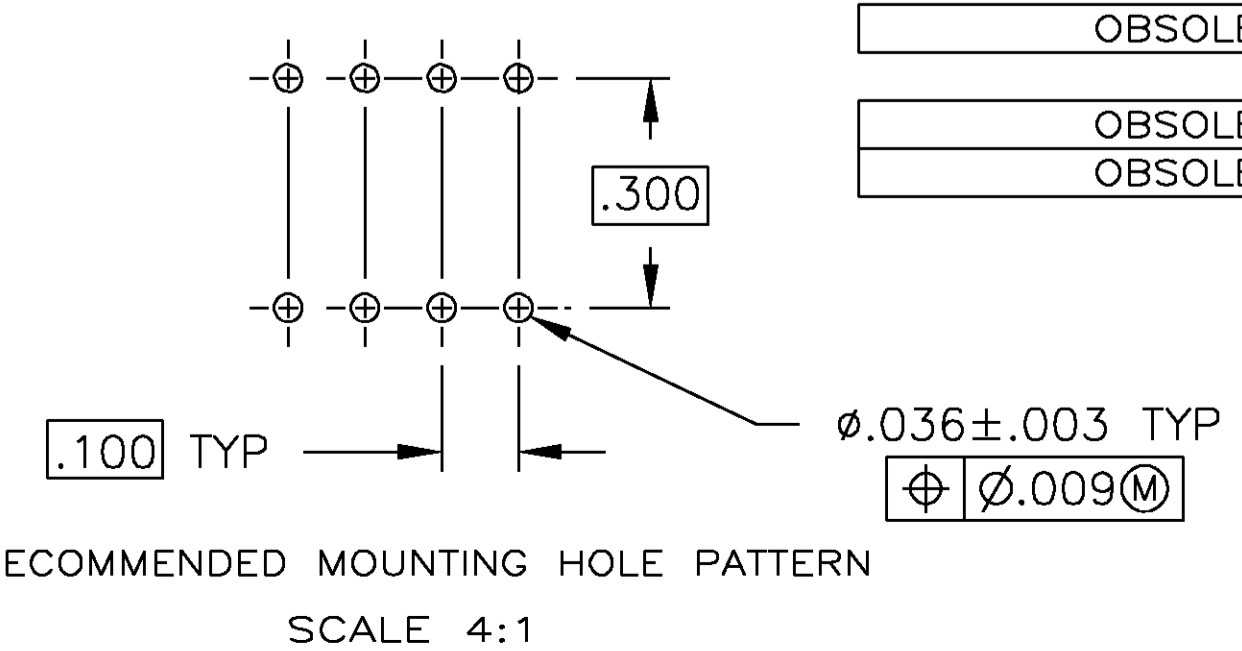
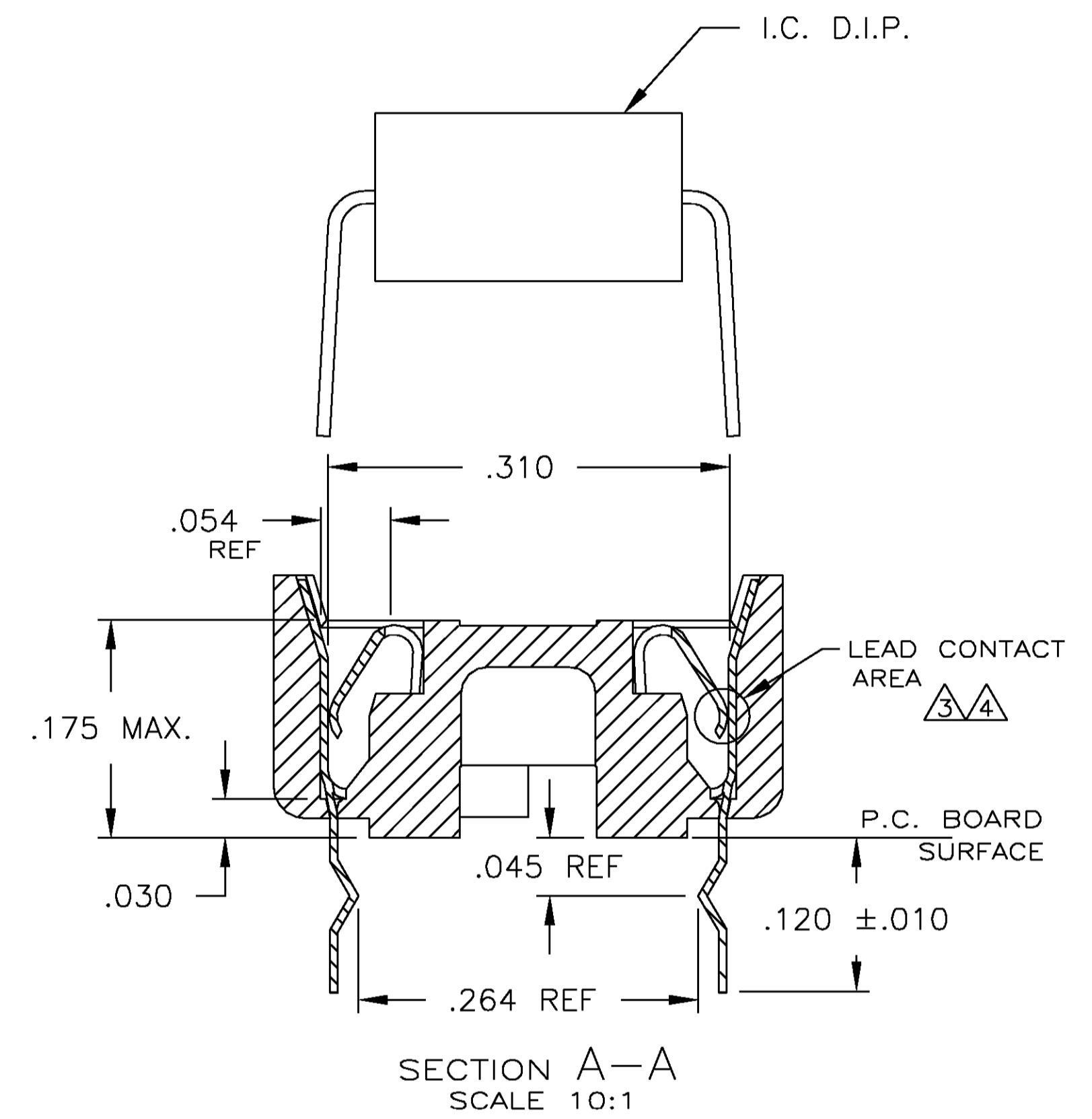
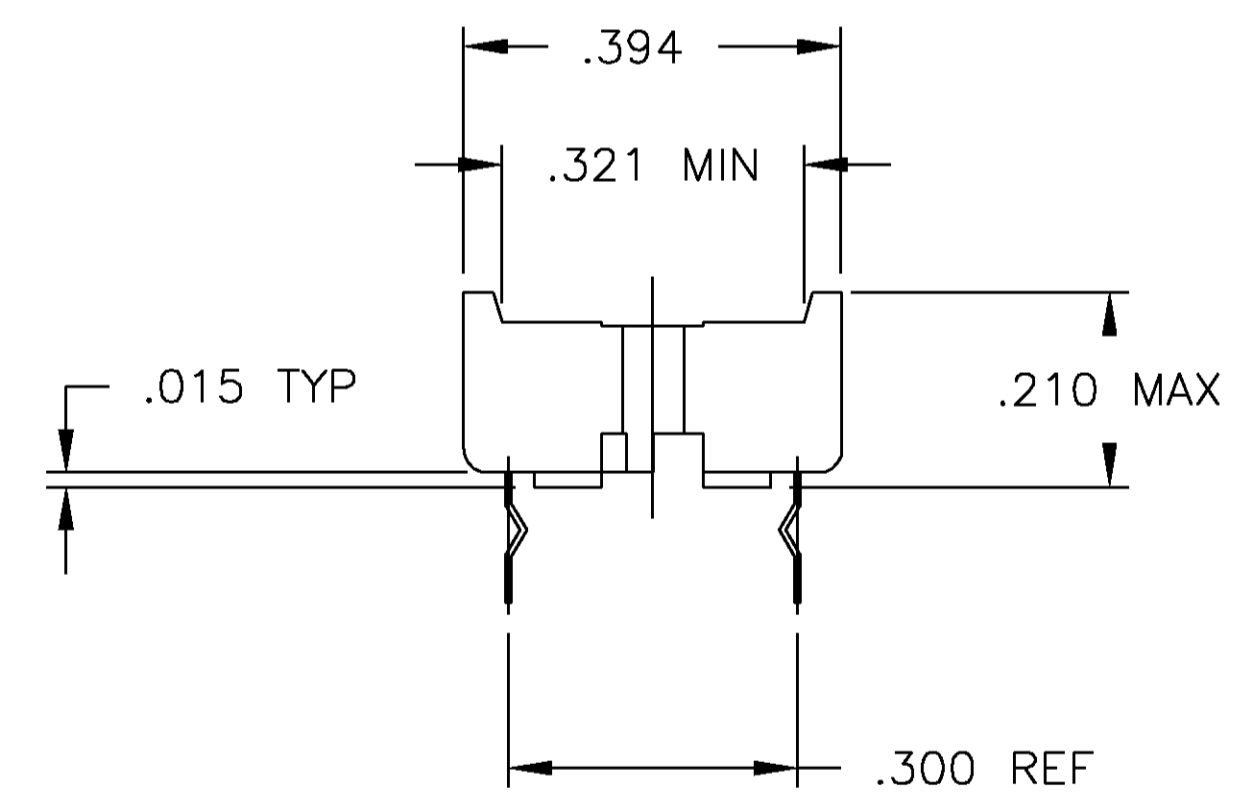
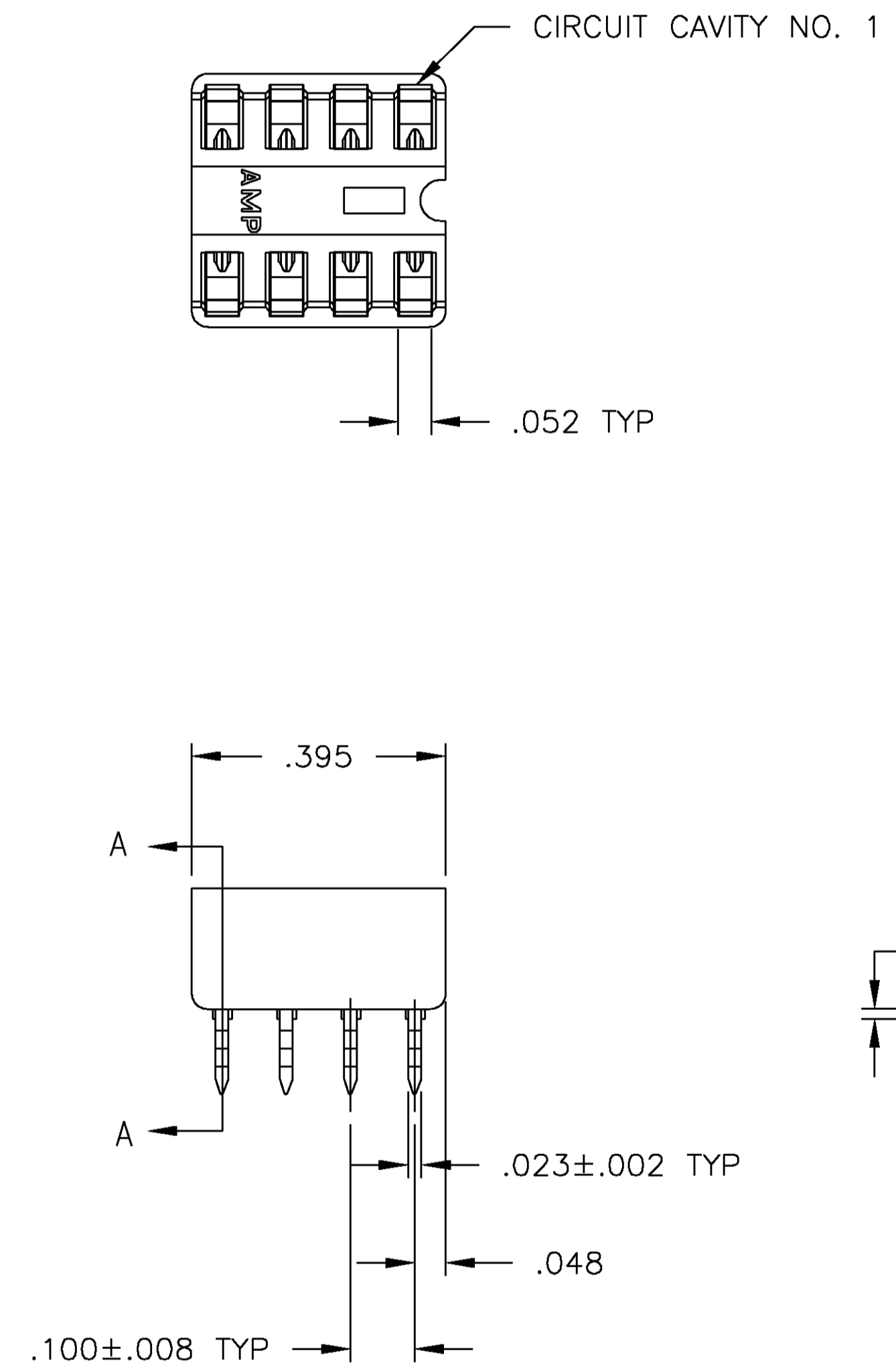


1. RECEPTACLE ACCEPTS A .008-.014 THICK I.C. LEAD.
2. TUBE LOADED.
3. TWO .000030 MIN THK. GOLD STRIPES IN CONTACT AREA WITH TIN-LEAD (93/7) ON CONTACT LEGS, BALANCE OF CONTACT NICKEL PLATED.
4. TWO .000015 MIN THK. GOLD STRIPES IN CONTACT AREA WITH TIN-LEAD (93/7) ON CONTACT LEGS, BALANCE OF CONTACT NICKEL PLATED.



OBSOLETE	TINNED	PHOS.BRZ. .006 THK	GLASS-FILLED THERMOPLASTIC, 94V-O, BLACK	2-641260-5
OBSOLETE	TINNED	PHOS.BRZ. .006 THK	GLASS-FILLED THERMOPLASTIC, 94V-O, BLACK	2-641260-4
OBSOLETE	TINNED	PHOS.BRZ. .006 THK	GLASS-FILLED THERMOPLASTIC, 94V-O, BLACK	2-641260-3
OBSOLETE	TINNED	BE.CU. .006 THK	GLASS-FILLED THERMOPLASTIC, 94V-O, BLACK	2-641260-2
OBSOLETE	TINNED	BE.CU. .006 THK	GLASS-FILLED THERMOPLASTIC, 94V-O, BLACK	2-641260-1
	CONTACT FINISH	CONTACT MAT'L	HOUSING MATERIAL	PART NO.

THIS DRAWING IS A CONTROLLED DOCUMENT.

DIMENSIONS: INCHES	TOLERANCES UNLESS OTHERWISE SPECIFIED:	DW: R BROWN	OSJAN01	24AUG00
0 PLC ± -	1 PLC ± -	APVD: H WYNKOOP	24AUG00	NAME: SOCKET ASSY, DIP, RET LEG, 8 POS, DIPLOMATE™ DL
2 PLC ± -	3 PLC ± .005	APVD: H WYNKOOP	24AUG00	PRODUCT SPEC: 108-1066
4 PLC ± -	ANGLES ± -	APVD: H WYNKOOP	24AUG00	APPLICATION SPEC: 114-1049
MATERIAL: SEE TABLE	FINISH: SEE TABLE	WEIGHT: -	SIZE: A1	CAGE CODE: 00779
			DRAWING NO: 641260	RESTRICTED TO: -
			CUSTOMER DRAWING	SCALE: 5:1
			SHEET: 1 OF 1	REV: T

AMP Tyco Electronics Corporation  
Harrisburg, PA 17105