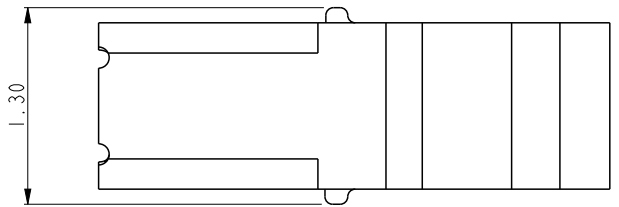
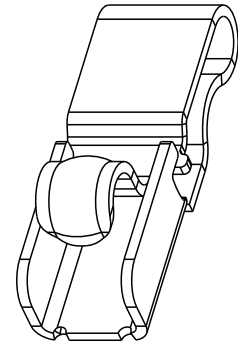
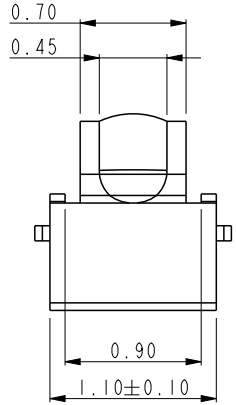
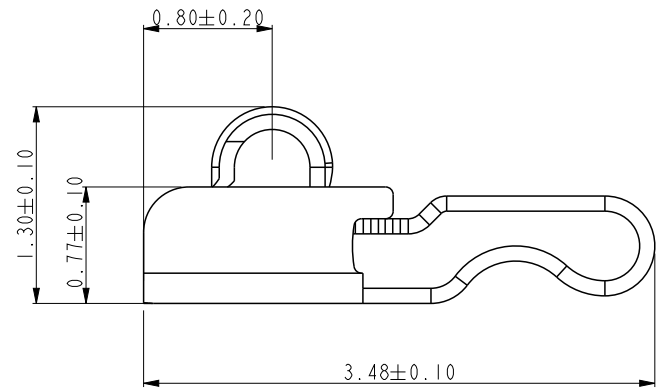




Copyright FCI.

	PRODUCT NO.
FCI	10104320-001RLF 10104320-003RLF 10104320-009RLF



NOTES:  
 1. MATERIAL: BERYLLIUM COPPER ALLOY.  
 2. CONTACT PLATING:  
 CONTACT AREA: PLATING 1um Au OVER 1.0/3.0um Ni UNDERPLATE,  
 or PLATING 0.05 to 0.15um Au OVER 1.0/3.0um Ni UNDERPLATE  
 or PLATING 1um GXT OVER 1.0/3.0um Ni UNDERPLATE  
 (1um GXT is 0.025~0.125um Au + 0.875um PdNi)  
 SOLDER AREA : PLATING 0.05 TO 0.15um Au OVER 1.0/3.0um Ni UNDERPLATE.  
 3. PACKAGING: TAPE & REEL  
 4. PART NUMBER DESCRIPTION:  
 10104320-0 0 X X X

LF: LEAD FREE  
 R: TAPE & REEL  
 CONTACT PLATING:  
 1. 1um Au OVER Ni  
 3. 0.05~0.15um Au OVER Ni  
 9. 1um GXT OVER Ni

rev	ecn no	dr	date
A	DG09-0331	NZ	2009-11-10
B	DG11-0048	SM	2011-02-22
C	ELX-DG-010840-1	ANDY	2012-03-23
-	-	-	-
-	-	-	-
-	-	-	-

spec ref	*	dr	Louis Ng	2009/10/06	projection	mm	size	A4	scale	20.000
tolerance std	TOLERANCES UNLESS OTHERWISE SPECIFIED	eng	Andy Lu	2012/03/23		←→	ecn no	ELX-DG-010840-1		
ASME Y14.5		chr	Young Ou	2012/03/26				rel level	Released	
surface	linear	appr	Pei-Ming Zheng	2012/03/26	product family	-	rel level	Released		
ASME Y14.5	0.X	±0.25		title	ANTENNA CONNECTOR		dwg no	10104320		rev
	0.XX	±0.10								
	0.XXX	±0.050								
ASME Y14.5	angular	0°	±2°	www.fci.com	cat. no.	10104320	Product - Customer Drw	sheet 1 of 1		

ProjE File - REV C - 2009-06-09