

**PHYSICAL DIMENSIONS:**

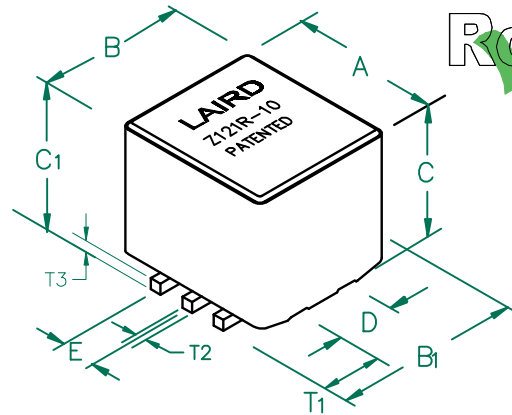
A	11.05	[.435]	+ 0.13	[.005]
B	10.03	[.395]	+ 0.15	[.006]
B <sub>1</sub>	11.05	[.435]	MAX	
C	9.32	[.367]	+ 0.15	[.006]
C <sub>1</sub>	10.49	[.413]	MAX.	
D	4.06	[.160]	+ 0.13	[.005]
E	2.54	[.100]	+ 0.13	[.005]

**WIRE:**

T <sub>1</sub>	3.56	[.140]	+ 0.25	[.010]
T <sub>2</sub>	0.76	[.030]	TYP.	
T <sub>3</sub>	0.76	[.030]	TYP.	

# CM4440Z121R-10

**UNCONTROLLED DOCUMENT**

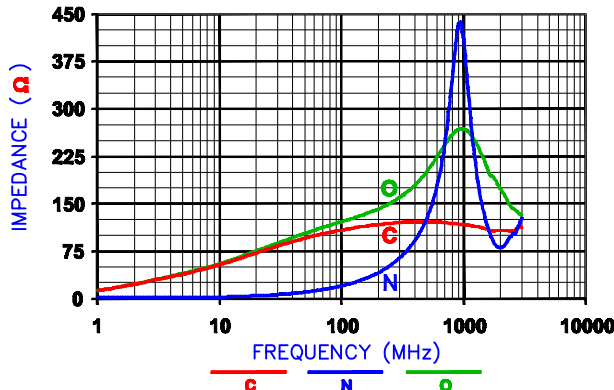


ELECTRICAL CHARACTERISTICS:			
Z @ 100MHz (Ω)	DCR (Ω)	Rated Current	
Nominal	120		
Minimum	90		
Maximum	-	.001	20,000mA

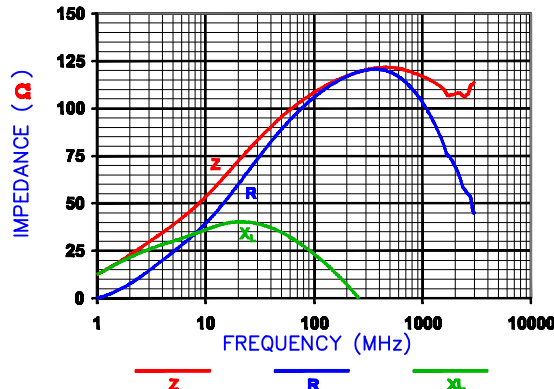
NOTES: UNLESS OTHERWISE SPECIFIED

1. TAPED AND REELED per CURRENT EIA SPECIFICATIONS 13" REELS, 375 PCS/REEL, EMBOSSED PLASTIC TAPE.
2. COMPONENTS SHOULD BE ADEQUATELY PREHEATED BEFORE SOLDERING.
3. TERMINATION FINISH IS 100% TIN.
4. THIS PART HAS NO PIN POLARITY.

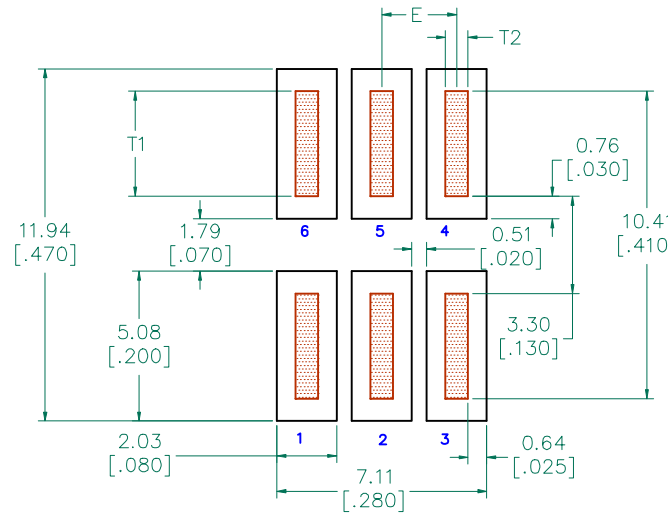
Z vs. FREQUENCY (C,N,O)



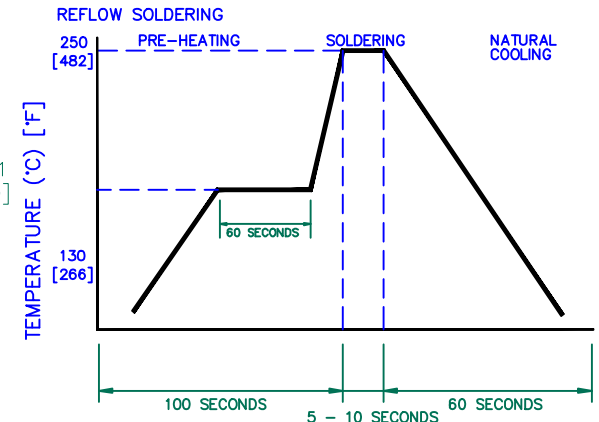
Z, R, XL vs. FREQUENCY



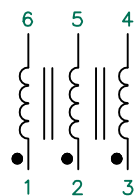
LAND PATTERNS FOR REFLOW SOLDERING



RECOMMENDED SOLDERING CONDITIONS



EQUIVALENT CIRCUIT



DIMENSIONS ARE IN mm [INCHES].

This print is the property of Laird Tech. and is loaned in confidence subject to return upon request and with the understanding that no copies shall be made without the written consent of Laird Tech. All rights to design or invention are reserved.					
REV	PART TYPE:	DRAWN BY:			
D	ASSEMBLY	TMB		PROJECT/PART NUMBER: <b>CM4440Z121R-10</b>	
C	UPDATE LOGO AND KAPTON LABEL	11/13/08	JRK	DATE:	07/26/07
B	CORRECT C N O COLORS ON Z VS FREQ	12/07/07	TMB	SCALE:	NTS
B	ADD TAPE & REEL SPEC TO NOTES AND EQUIVALENT CIRCUIT UPDATE CURVES	08/23/07	TMB	SHEET:	2 of 3
B	UPDATE NOTE 3 ON SHEET 3of3			CAD #	CM4440Z121R-10-D-2
A	ORIGINAL DRAFT	07/26/07	TMB	TOOL #	
REV	DESCRIPTION	DATE	INT		