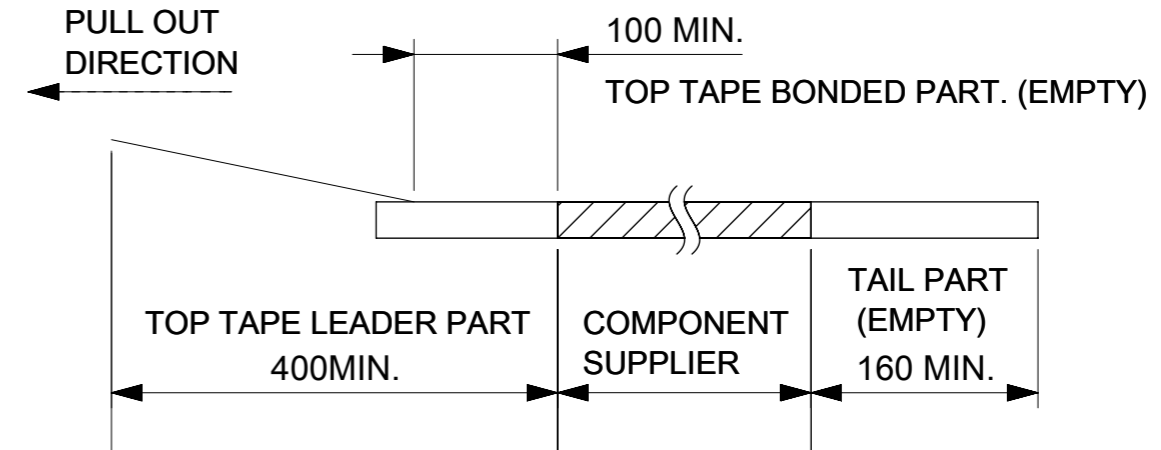
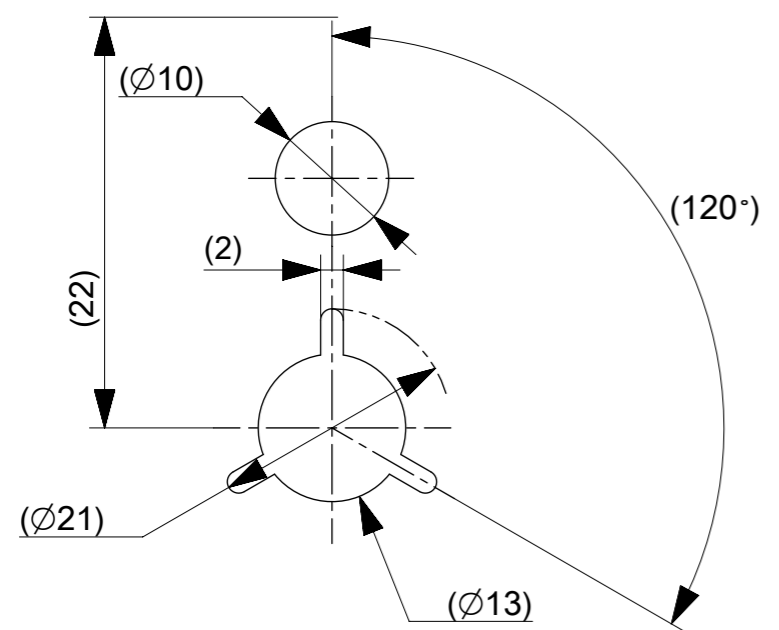


NOTES

1. RE DETAILED DIMENSION, SEE PRODUCT DRAWING.
2. NUMBER OF CONNECTORS : 20000PCS/REEL
3. LEAD TAPE LENGTH.

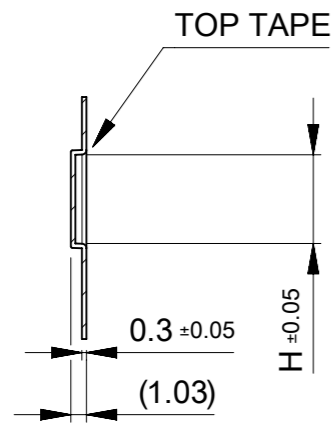


4. PEELING OFF FORCE OF THE TOP TAPE IS DEFINED BY IEC60286-3.
5. MATERIAL
 CARRIER TAPE : POLYSTYRENE OR PET
 TOP TAPE : PET , OTHER
 REEL : POLYSTYRENE (PS) < RECYCLE MATERIAL CONTAINED >
6. ELV AND RoHS COMPLIANT
 △7 CONFORM TO 2033899200-SPK_PS200 FOR PACKAGING SPECIFICATION.
 △8 CONFORM TO 2033899200-SPK_PS201 FOR PACKAGING SPECIFICATION.

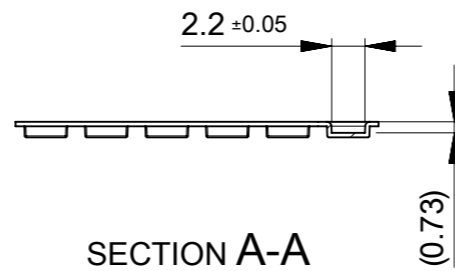
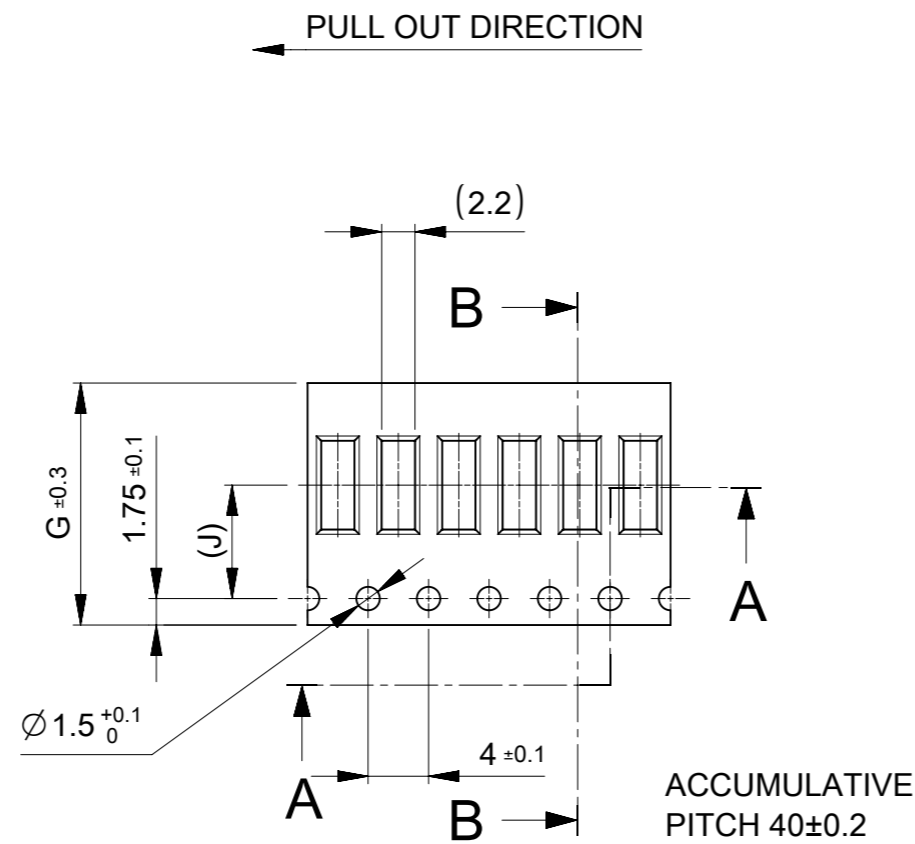


DETAIL "D"

THIS DRAWING CONTAINS INFORMATION THAT IS PROPRIETARY TO MOLEX ELECTRONIC TECHNOLOGIES, LLC AND SHOULD NOT BE USED WITHOUT WRITTEN PERMISSION										
DIMENSION UNITS	SCALE	CURRENT REV DESC:					molex			
mm	1:1									
GENERAL TOLERANCES (UNLESS SPECIFIED)							0.175BB H=0.6 QUADROW REC EMBS PACKAGE			
ANGULAR TOL	± 3.0 °						PRODUCT CUSTOMER DRAWING			
4 PLACES	± 0.03	EC NO: 725424				DOCUMENT NUMBER				
3 PLACES	± 0.03	DRWN: AISHII			2022/10/20	2033890000-SD		DOC TYPE	DOC PART	REVISION
2 PLACES	± 0.05	CHK'D: YKOBAYASHI02			2022/10/20			PSD	000	E
1 PLACE	± 0.1	APPR: KSASAKI			2022/10/21					
0 PLACES	± 0.2	INITIAL REVISION:								
DRAFT WHERE APPLICABLE MUST REMAIN WITHIN DIMENSIONS		DRWN: DGONDO			2020/06/25					
THIRD ANGLE PROJECTION		APPR: YKOBAYASHI02			2020/07/07					
DRAWING		SERIES		MATERIAL NUMBER		CUSTOMER		SHEET NUMBER		
A3-SIZE		203389		SEE CHART		GENERAL		1 OF 2		



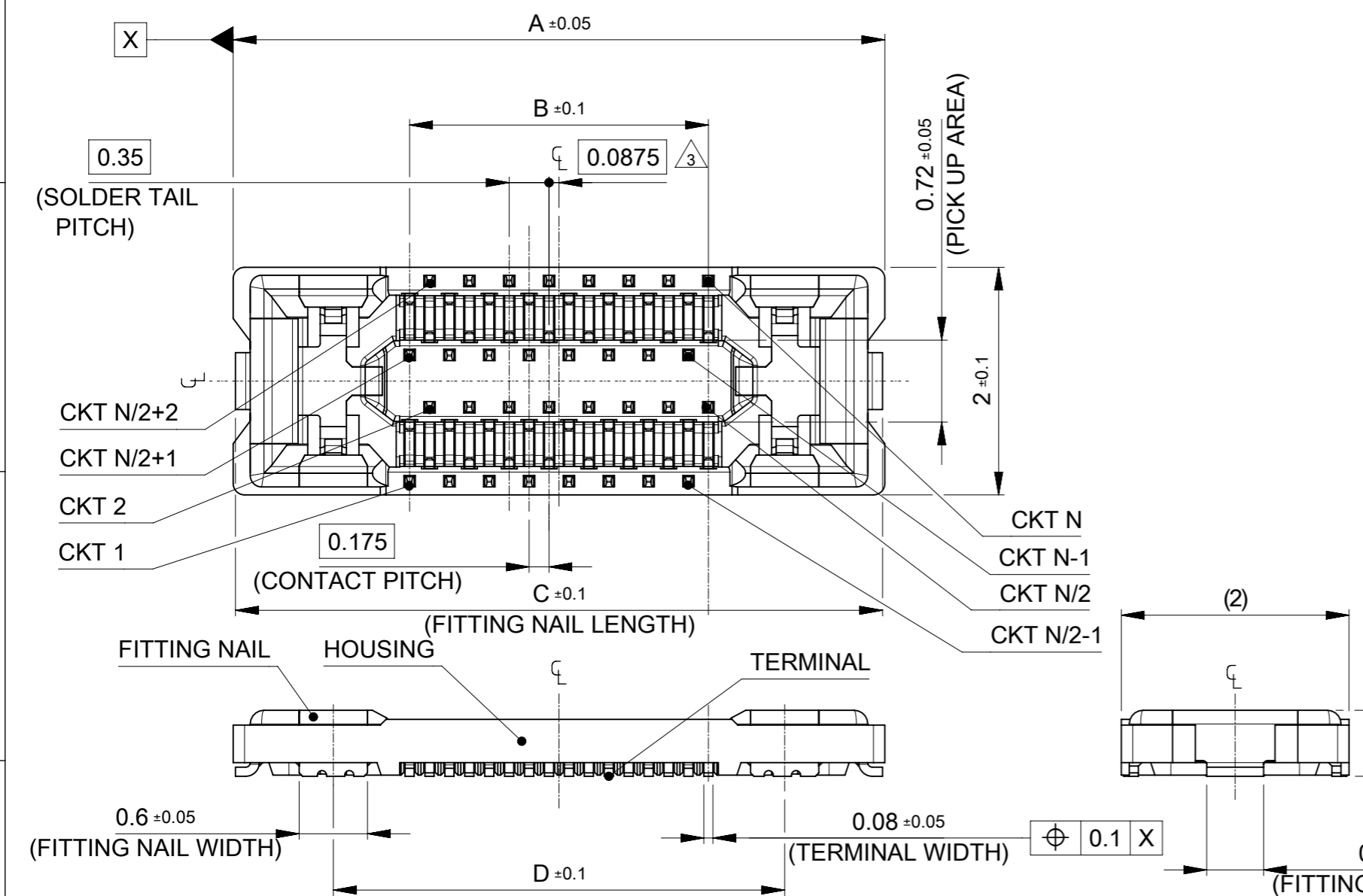
SECTION B-B



SECTION A-A

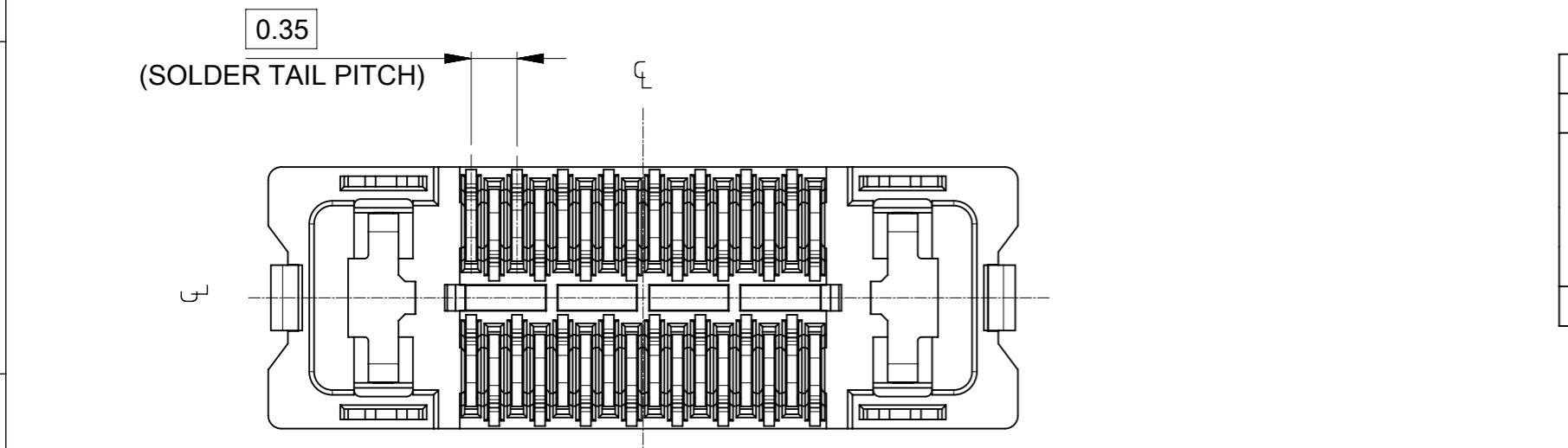
7.5	6.215	16	21.4	17.4	2033890363	2033890361	36
7.5	5.865	16	21.4	17.4	2033890323	2033890321	32
J	H	G	F	E	ORDER NO.	ORDER NO.	CIRCUIT
					PACKAGING SPEC: \triangle_8	PACKAGING SPEC: \triangle_7	
CONNECTOR SERIES No. 2033890***							

THIS DRAWING CONTAINS INFORMATION THAT IS PROPRIETARY TO MOLEX ELECTRONIC TECHNOLOGIES, LLC AND SHOULD NOT BE USED WITHOUT WRITTEN PERMISSION							
DIMENSION UNITS mm		SCALE 2:1		CURRENT REV DESC:			
GENERAL TOLERANCES (UNLESS SPECIFIED)				molex 0.175BB H=0.6 QUADROW REC EMBS PACKAGE			
ANGULAR TOL ± 3.0 °							
4 PLACES ± 0.03		EC NO: 725424					
3 PLACES ± 0.03		DRWN: AISHII 2022/10/20					
2 PLACES ± 0.05		CHK'D: YKOBAYASHI02 2022/10/20					
1 PLACE ± 0.1		APPR: KSASAKI 2022/10/21		PRODUCT CUSTOMER DRAWING			
0 PLACES ± 0.2		INITIAL REVISION:		DOCUMENT NUMBER		DOC TYPE	DOC PART
DRAFT WHERE APPLICABLE MUST REMAIN WITHIN DIMENSIONS		THIRD ANGLE PROJECTION		DRAWING	SERIES	MATERIAL NUMBER	CUSTOMER
				A3-SIZE	203389	2033890000-SD	PSD 000
						SEE CHART	GENERAL
							E
							2 OF 2



NOTES

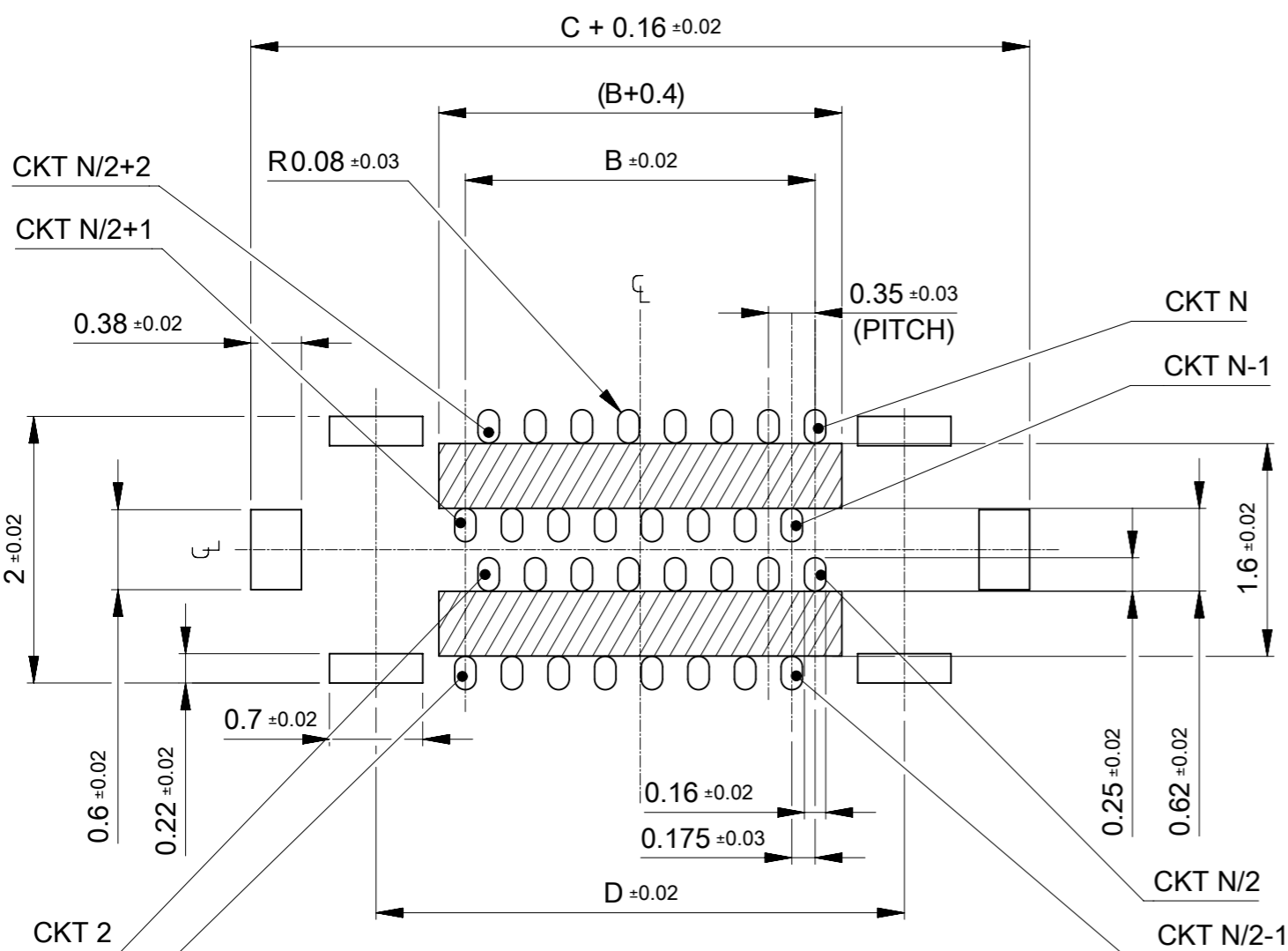
- MATERIAL
 HOUSING : LIQUID CRYSTAL POLYMER UL94V-0(COLOR : BLACK)
 TERMINAL : COPPER ALLOY
 FITTING NAIL : COPPER ALLOY
 - PLATING
 TERMINAL
 CONTACT AREA : GOLD 0.1 μm MIN.
 TAIL AREA : GOLD 0.05 μm MIN.
 UNDER PLATING : NICKEL 1.0 μm MIN.
 *DIVIDE INTO PARTS THE GOLD PLATING OF CONTACT AND THE TAIL PART BY THE NICKEL PLATING.
 *EITHER GOLD OR NICKEL PLATING IS ACCEPTABLE IN THE AREA WHICH IS NOT SPECIFIED AS CONTACT , TAIL OR NICKEL BARRIER.
 FITTING NAIL
 CONTACT AREA : GOLD 0.1 μm MIN.
 TAIL AREA : GOLD 0.05 μm MIN.
 UNDER PLATING : NICKEL 1.0 μm MIN.
 *DIVIDE INTO PARTS THE GOLD PLATING OF CONTACT AND THE TAIL PART BY THE NICKEL PLATING.
 *EITHER GOLD OR NICKEL PLATING IS ACCEPTABLE IN THE AREA WHICH IS NOT SPECIFIED AS CONTACT , TAIL OR NICKEL BARRIER.
- △3 APPLY FOR (CIRCUIT/4)=EVEN
 4. MATE WITH : 2033900**1, 2033900**3
 5. TAIL AND FITTING NAIL COPLANARITY TO BE 0.08mm MAXIMUM.
 △6 CONFORM TO 2033899200-SPK_PS200 FOR PACKAGING SPECIFICATION.
 △7 CONFORM TO 2033899200-SPK_PS201 FOR PACKAGING SPECIFICATION.



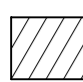
4.315	6.035	2.975	6.075	2033890363	2033890361	36
3.965	5.685	2.625	5.725	2033890323	2033890321	32
D	C	B	A	EMBOSSED TAPE PACKAGE	EMBOSSED TAPE PACKAGE	CIRCUIT
				ORDER No.	ORDER No.	
				PACKAGING SPEC:△7	PACKAGING SPEC:△6	

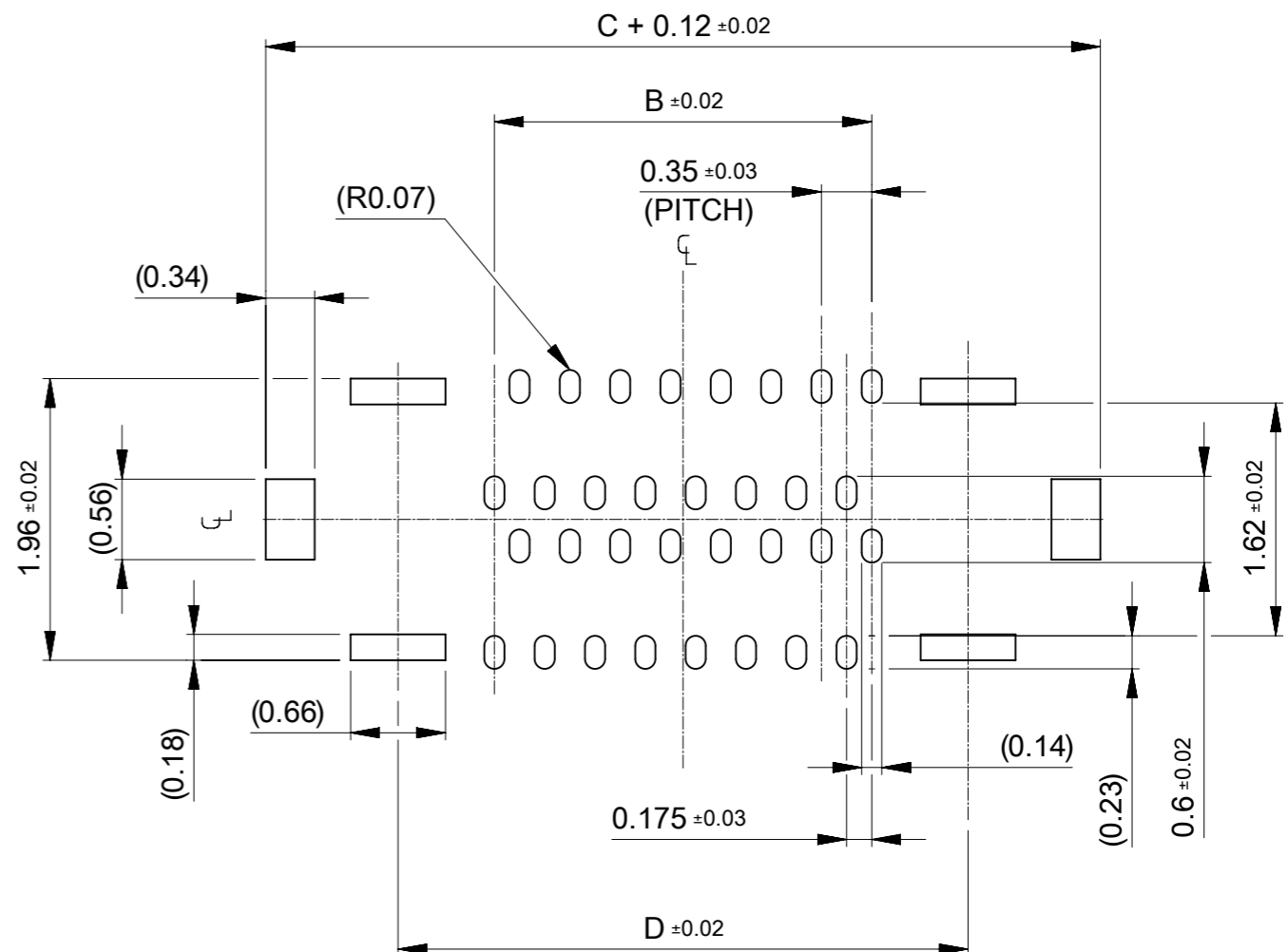
CONNECTOR SERIES No. : 2033891**1

THIS DRAWING CONTAINS INFORMATION THAT IS PROPRIETARY TO MOLEX ELECTRONIC TECHNOLOGIES, LLC AND SHOULD NOT BE USED WITHOUT WRITTEN PERMISSION		CURRENT REV DESC:		molex		
DIMENSION UNITS	SCALE					
mm	20:1			0.175 BB H=0.6 QUAD ROW REC ASSY		
GENERAL TOLERANCES (UNLESS SPECIFIED)				PRODUCT CUSTOMER DRAWING		
ANGULAR TOL	± 3.0 °			DOCUMENT NUMBER		
4 PLACES	± 0.03	EC NO: 725424		2033891000-SD		
3 PLACES	± 0.03	DRWN: AISHII		PSD		
2 PLACES	± 0.05	CHK'D: YKOBAYASHI02		000		
1 PLACE	± 0.1	APPR: KSASAKI		E		
0 PLACES	± 0.2	INITIAL REVISION:		REVISION		
DRAFT WHERE APPLICABLE MUST REMAIN WITHIN DIMENSIONS		THIRD ANGLE PROJECTION	DRAWING	SERIES	MATERIAL NUMBER	CUSTOMER
			A3-SIZE	203389	SEE CHART	GENERAL
						SHEET NUMBER
						1 OF 2



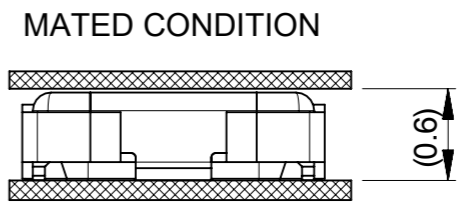
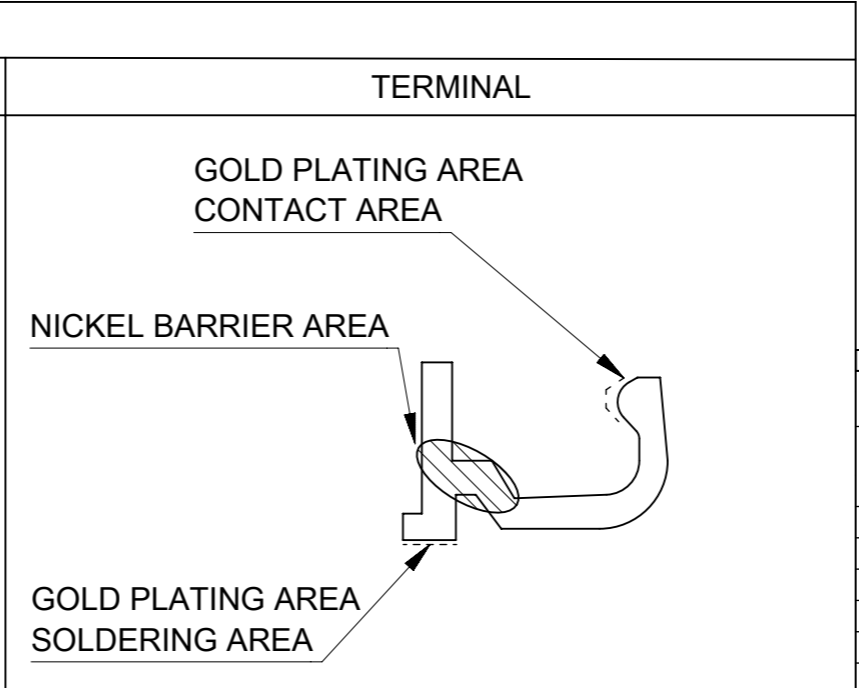
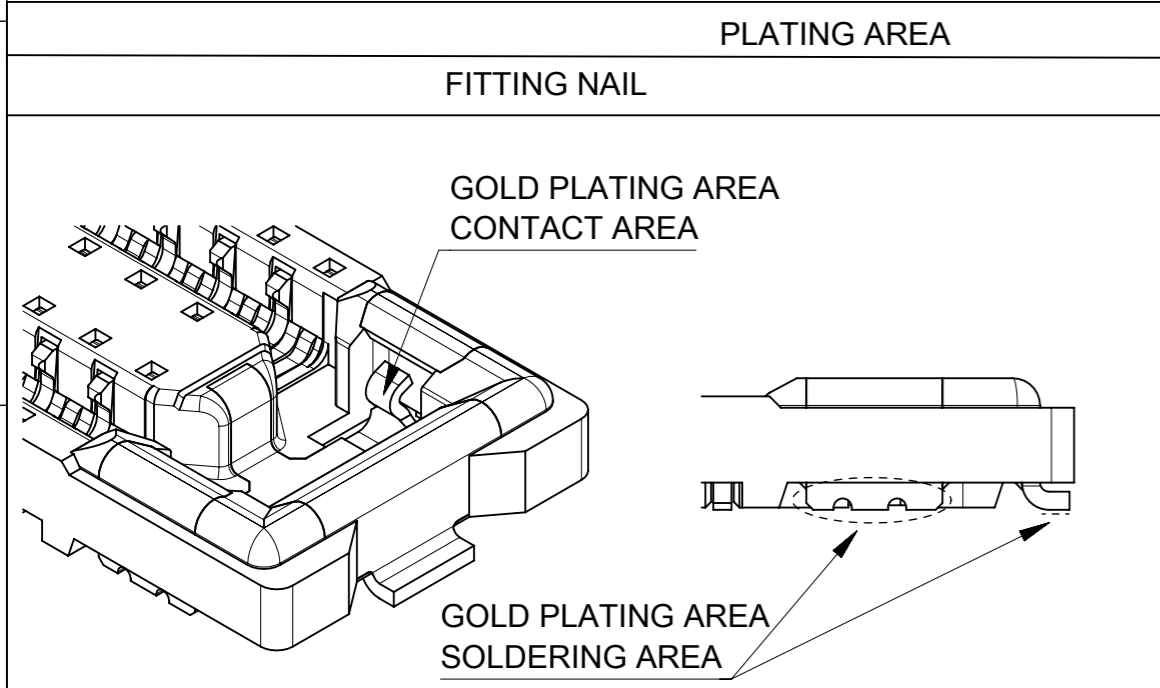
RECOMMENDED P.W. BOARD PATTERN LAYOUT (REFERENCE)
(SM OPENING DIMENSION)

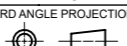
 SOLDERING PROHIBITED AREA
WHEN WIRING IS LOCATED,
THE WIRING MUST BE MASKED BY COVER LAY OR RESIST FILM.



RECOMMENDED METAL MASK LAYOUT (REFERENCE)

RECOMMENDED THICKNESS OF METAL MASK : t=0.08mm
RECOMMENDED OPEN APERTURE RATIO OF METAL MASK : 80%



THIS DRAWING CONTAINS INFORMATION THAT IS PROPRIETARY TO MOLEX ELECTRONIC TECHNOLOGIES, LLC AND SHOULD NOT BE USED WITHOUT WRITTEN PERMISSION									
DIMENSION UNITS		SCALE		CURRENT REV DESC:					
mm		20:1							
GENERAL TOLERANCES (UNLESS SPECIFIED)									
ANGULAR TOL ± 3.0°									
4 PLACES ± 0.03									
3 PLACES ± 0.03									
2 PLACES ± 0.05									
1 PLACE ± 0.1									
0 PLACES ± 0.2									
DRAFT WHERE APPLICABLE MUST REMAIN WITHIN DIMENSIONS									
THIRD ANGLE PROJECTION		DRAWING		SERIES		MATERIAL NUMBER		CUSTOMER	
		A3-SIZE		203389		SEE CHART		GENERAL	
EC NO: 725424				DRWN: AISHII		2022/10/20		2022/10/20	
CHK'D: YKOBAYASHI02				APPR: KSASAKI		2020/07/07		2022/10/21	
INITIAL REVISION:				DRWN: DGONDO		2020/06/25		2020/07/07	
APPR: YKOBAYASHI02				SERIES		MATERIAL NUMBER		CUSTOMER	
203389				203389		2033891000-SD		GENERAL	
DOCUMENT NUMBER		DOC TYPE		DOC PART		REVISION			
2033891000-SD		PSD		000		E			
SHEET NUMBER									
2 OF 2									