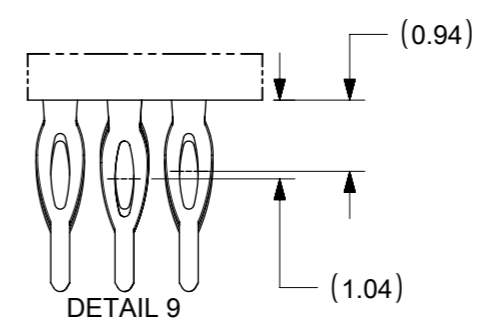
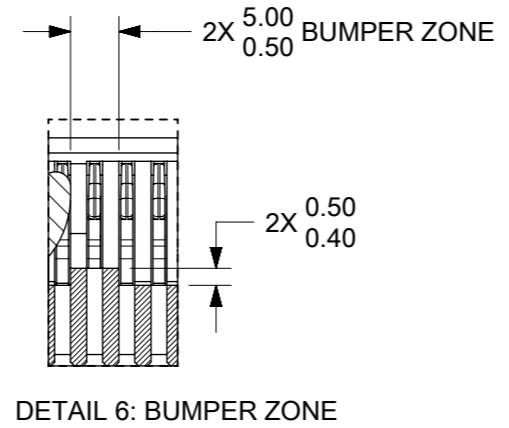
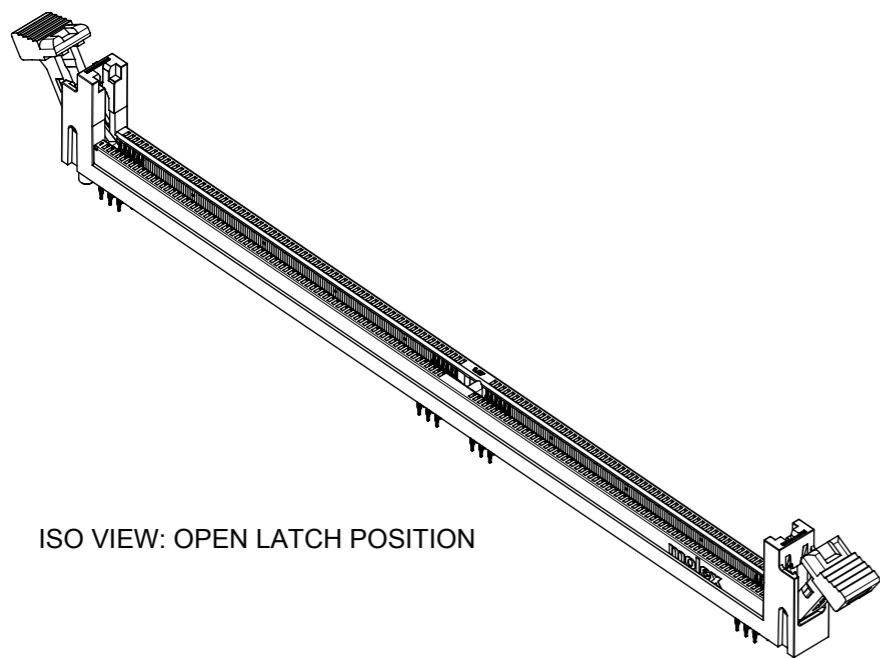
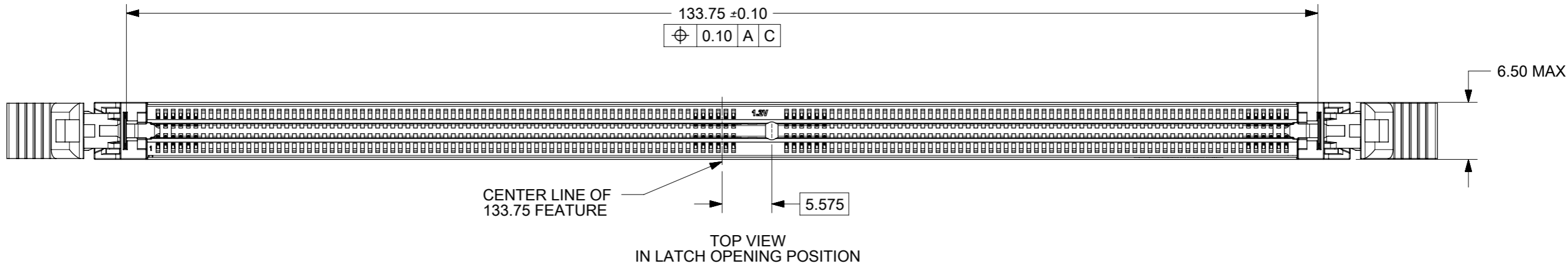


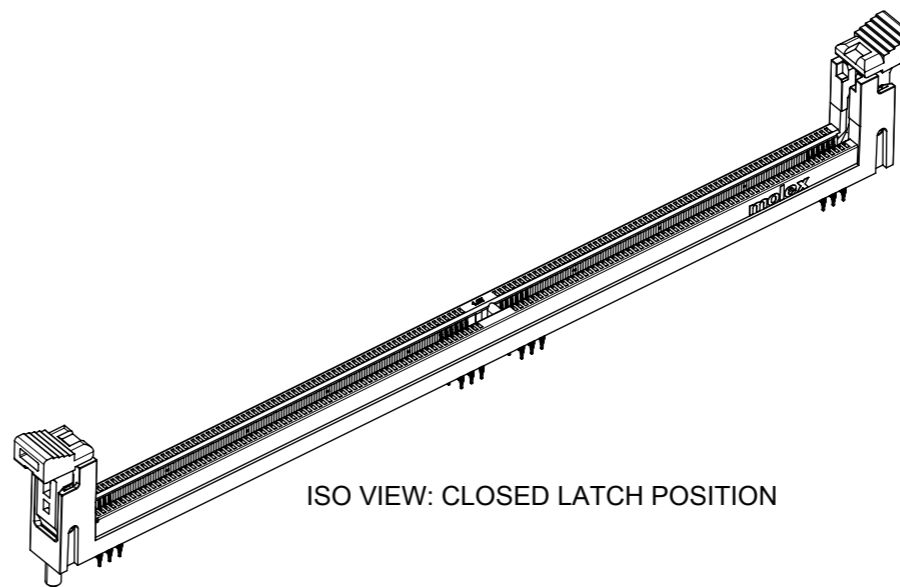
- NOTES:
- MATERIAL : HOUSING - HALOGEN FREE HIGH TEMP POLYAMIDE, GLASS FILLED, UL94V-0.
COLOUR : SEE TABLE ON SHEET 5.
LATCH - HALOGEN FREE HIGH TEMP POLYAMIDE, GLASS FILLED, UL94V-0.
COLOUR : SEE TABLE ON SHEET 5.
TERMINAL: COPPER ALLOY.
 - FINISHES - SEE TABLE ON SHEET 5.
 - PRODUCT SPECIFICATION : SEE TABLE ON SHEET 5.
 - PACKAGING SPECIFICATION: PRODUCT SHALL BE PACKED IN TRAY, SEE SHEET 5
 - CARD SLOT ACCEPTS 1.40±0.10MM MODULE THICKNESS (MEASURED OVER P.C. PADS).
 - MOLEX LOGO, DATE & PART NO. INDICATED ON HOUSING.
 - MODULE SEATING PLANE.
 - KEEP OUT ZONE RESERVED FOR LATCH.
 - KEEP OUT AREA IS THE AREA WHERE THE CONNECTOR (INCLUDES LATCHES IN OPENING POSITION) IS MOUNTED ON THE PCB.
 - REFER TO AS-78731-001 FOR CONNECTOR MOUNTING AND REWORK INFORMATION.
 - REFER TO AS-78731-003 FOR PCB ROUTING RECOMMENDATIONS.



THIS DRAWING CONTAINS INFORMATION THAT IS PROPRIETARY TO MOLEX ELECTRONIC TECHNOLOGIES, LLC AND SHOULD NOT BE USED WITHOUT WRITTEN PERMISSION		CURRENT REV DESC: MIGRATED TO NX		molex	
DIMENSION UNITS	SCALE				
MM	NTS			DDR4 DIMM, 0.85MM PITCH 288CKTS, VERTICAL PF	
GENERAL TOLERANCES (UNLESS SPECIFIED)		EC NO: 174601		PRODUCT CUSTOMER DRAWING	
ANGULAR TOL	± 3.0 °	DRWN: SMAHESHBABU	2018/03/08	DOCUMENT NUMBER	
4 PLACES	±	CHK'D: CGTAN	2018/05/08	SD-78731-001	
3 PLACES	±	APPR: SHLENI	2018/05/15	DOC TYPE	DOC PART
2 PLACES	± 0.2	INITIAL REVISION:		PSD	001
1 PLACE	±	DRWN: EKSOH	2012/08/03	REVISION	
0 PLACES	±	APPR: SHLENI	2013/05/09	A	
DRAFT WHERE APPLICABLE MUST REMAIN WITHIN DIMENSIONS		THIRD ANGLE PROJECTION	DRAWING	SERIES	MATERIAL NUMBER
			A3-SIZE	78731	SEE TABLE
		CUSTOMER	GENERAL MARKET		SHEET NUMBER
				1 OF 5	



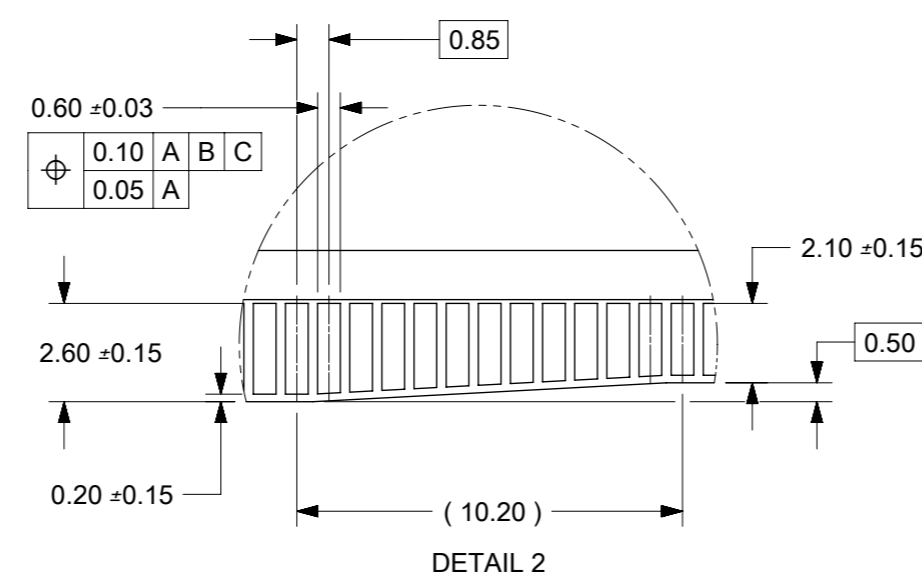
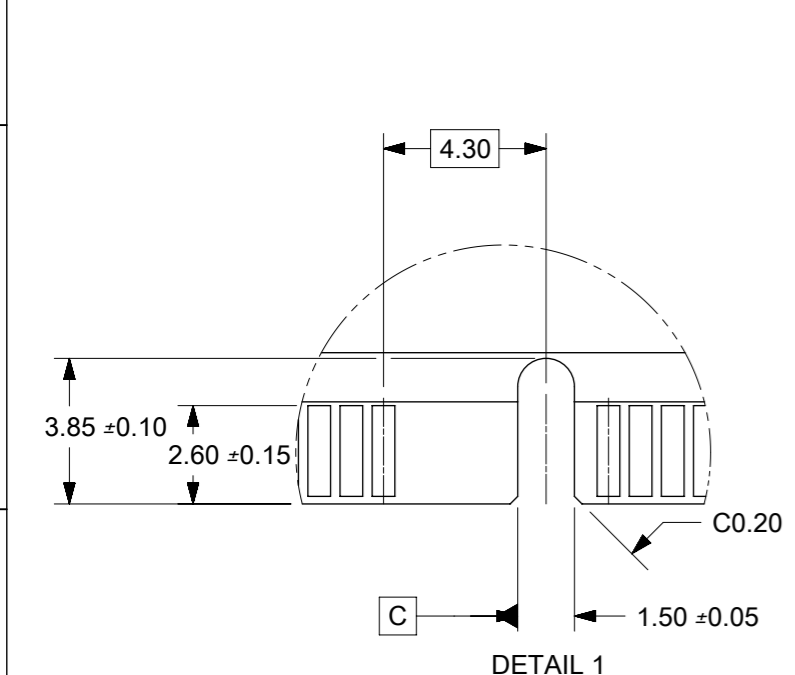
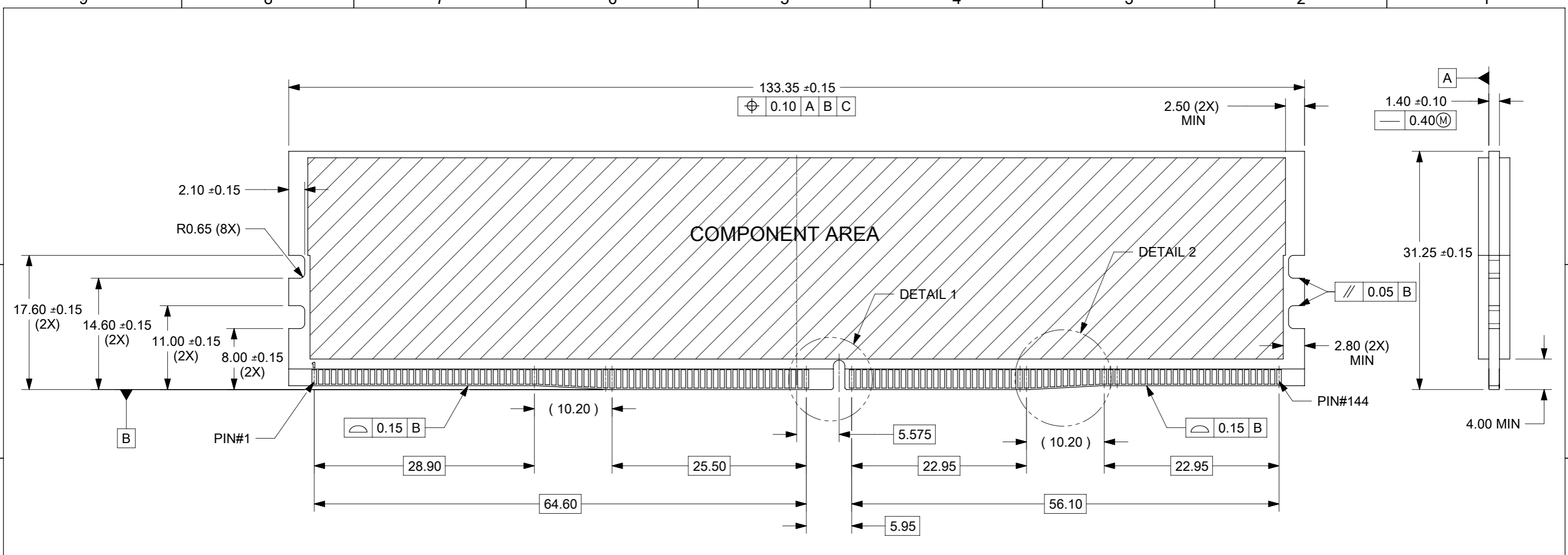
ISO VIEW: OPEN LATCH POSITION



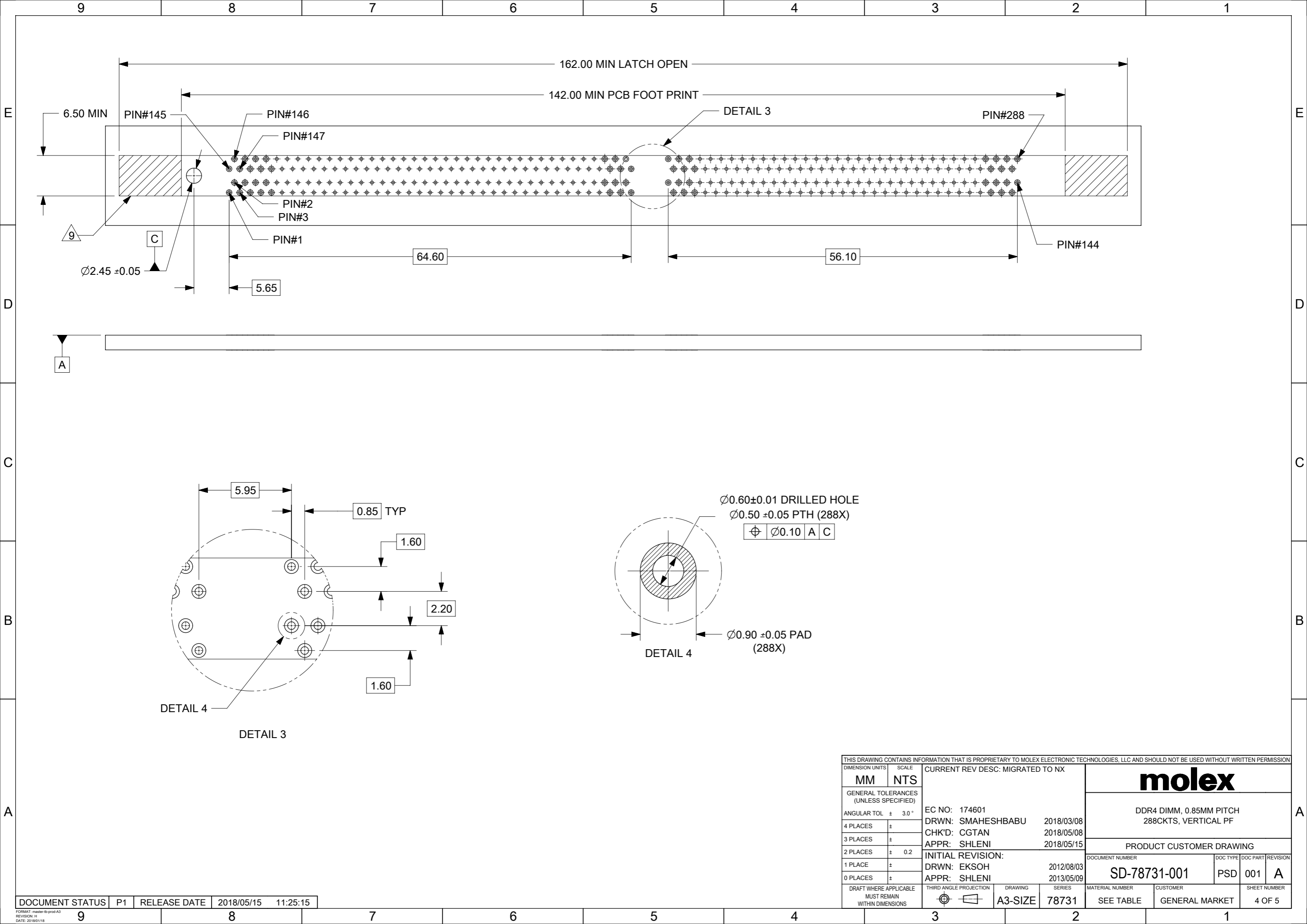
ISO VIEW: CLOSED LATCH POSITION

THIS DRAWING CONTAINS INFORMATION THAT IS PROPRIETARY TO MOLEX ELECTRONIC TECHNOLOGIES, LLC AND SHOULD NOT BE USED WITHOUT WRITTEN PERMISSION									
DIMENSION UNITS	SCALE	CURRENT REV DESC: MIGRATED TO NX							
MM	NTS								
GENERAL TOLERANCES (UNLESS SPECIFIED)									
ANGULAR TOL	± 3.0 °	EC NO:	174601						
4 PLACES	±	DRWN:	SMAHESHBABU 2018/03/08						
3 PLACES	±	CHK'D:	CGTAN 2018/05/08						
2 PLACES	± 0.2	APPR:	SHLENI 2018/05/15						
1 PLACE	±	INITIAL REVISION:							
0 PLACES	±	DRWN:	EKSOH 2012/08/03						
DRAFT WHERE APPLICABLE MUST REMAIN WITHIN DIMENSIONS		APPR:	SHLENI 2013/05/09						
THIRD ANGLE PROJECTION		DRAWING	SERIES	MATERIAL NUMBER	CUSTOMER	DOC TYPE	DOC PART	REVISION	SHEET NUMBER
		A3-SIZE	78731	SEE TABLE	GENERAL MARKET	PSD	001	A	2 OF 5

DOCUMENT STATUS	P1	RELEASE DATE	2018/05/15	11:25:15
-----------------	----	--------------	------------	----------



THIS DRAWING CONTAINS INFORMATION THAT IS PROPRIETARY TO MOLEX ELECTRONIC TECHNOLOGIES, LLC AND SHOULD NOT BE USED WITHOUT WRITTEN PERMISSION		CURRENT REV DESC: MIGRATED TO NX		molex	
DIMENSION UNITS	SCALE				
MM	NTS			DDR4 DIMM, 0.85MM PITCH 288CKTS, VERTICAL PF	
GENERAL TOLERANCES (UNLESS SPECIFIED)		EC NO: 174601		PRODUCT CUSTOMER DRAWING	
ANGULAR TOL	± 3.0 °	DRWN: SMAHESHBABU	2018/03/08	DOCUMENT NUMBER	DOC TYPE
4 PLACES	±	CHK'D: CGTAN	2018/05/08	SD-78731-001	PSD
3 PLACES	±	APPR: SHLENI	2018/05/15	DOC PART	001
2 PLACES	± 0.2	INITIAL REVISION:		REVISION	A
1 PLACE	±	DRWN: EKSOH	2012/08/03		
0 PLACES	±	APPR: SHLENI	2013/05/09		
DRAFT WHERE APPLICABLE MUST REMAIN WITHIN DIMENSIONS	THIRD ANGLE PROJECTION	DRAWING	SERIES	MATERIAL NUMBER	CUSTOMER
		A3-SIZE	78731	SEE TABLE	GENERAL MARKET
DOCUMENT STATUS		RELEASE DATE		SHEET NUMBER	
P1		2018/05/15 11:25:15		3 OF 5	



THIS DRAWING CONTAINS INFORMATION THAT IS PROPRIETARY TO MOLEX ELECTRONIC TECHNOLOGIES, LLC AND SHOULD NOT BE USED WITHOUT WRITTEN PERMISSION															
DIMENSION UNITS		SCALE		CURRENT REV DESC: MIGRATED TO NX											
MM		NTS													
GENERAL TOLERANCES (UNLESS SPECIFIED)															
ANGULAR TOL ± 3.0°				EC NO: 174601											
4 PLACES ±				DRWN: SMAHESHBABU 2018/03/08											
3 PLACES ±				CHK'D: CGTAN 2018/05/08											
2 PLACES ± 0.2				APPR: SHLENI 2018/05/15											
1 PLACE ±				INITIAL REVISION:											
0 PLACES ±				DRWN: EKSOH 2012/08/03											
				APPR: SHLENI 2013/05/09											
DRAFT WHERE APPLICABLE MUST REMAIN WITHIN DIMENSIONS		THIRD ANGLE PROJECTION		DRAWING		SERIES		MATERIAL NUMBER		CUSTOMER					
				A3-SIZE		78731		SEE TABLE		GENERAL MARKET					
DOCUMENT NUMBER				DOC TYPE				DOC PART				REVISION			
SD-78731-001				PSD				001				A			
DOCUMENT STATUS		P1		RELEASE DATE		2018/05/15		11:25:15							

DOCUMENT STATUS P1 RELEASE DATE 2018/05/15 11:25:15

CKT SIZE	ASSEMBLY PART NO.	HOUSING COLOUR	LATCH COLOUR	DIM"P"	DIM"Q"	RECOMMENDED MINIMUM PCB THICKNESS	PLATING OPTION		PRODUCT SPEC. NO.	PACKAGING SPEC. NO.
							CONTACT AREA	TAIL AREA		
288	78731-1002	BLACK	BLACK	2.53	4.30	1.80	0.76 MICROMETER (30 MICROINCH) MIN GOLD ON CONTACT	0.38 TO 1.52 MICROMETER (15 TO 60 MICROINCH) MIN TIN ON SOLDER TAILS	PS-78731-001	PK-78731-001
	78731-1003	BLACK	WHITE							
	78731-1004	WHITE	BLACK							
	78731-1005	WHITE	WHITE							
	78731-1006	BLUE	BLUE							
	78731-1007	BLACK	BLACK	3.53					2.29 MICROMETER (90 MICROINCH) MIN NICKEL UNDERPLATE	
	78731-1008	BLACK	WHITE							
	78731-1009	WHITE	BLACK							
	78731-1010	WHITE	WHITE							
	78731-1011	BLUE	BLUE	2.53					0.38 MICROMETER (15 MICROINCH) MIN GOLD ON CONTACT	
	78731-2002	BLACK	BLACK							
	78731-2003	BLACK	WHITE							
	78731-2004	WHITE	BLACK							
	78731-2005	WHITE	WHITE							
	78731-2006	BLUE	BLUE	3.53	2.29 MICROMETER (90 MICROINCH) MIN NICKEL UNDERPLATE					
	78731-2007	BLACK	BLACK							
	78731-2008	BLACK	WHITE							
	78731-2009	WHITE	BLACK							
78731-2010	WHITE	WHITE								
78731-2011	BLUE	BLUE						PS-78731-002		

THIS DRAWING CONTAINS INFORMATION THAT IS PROPRIETARY TO MOLEX ELECTRONIC TECHNOLOGIES, LLC AND SHOULD NOT BE USED WITHOUT WRITTEN PERMISSION

DIMENSION UNITS	SCALE	CURRENT REV DESC: MIGRATED TO NX		molex			
MM	NTS						
GENERAL TOLERANCES (UNLESS SPECIFIED)		EC NO: 174601		DDR4 DIMM, 0.85MM PITCH 288CKTS, VERTICAL PF			
ANGULAR TOL	± 3.0 °	DRWN: SMAHESHBABU	2018/03/08	PRODUCT CUSTOMER DRAWING			
4 PLACES	±	CHK'D: CGTAN	2018/05/08	DOCUMENT NUMBER			
3 PLACES	±	APPR: SHLENI	2018/05/15	SD-78731-001		DOC TYPE	
2 PLACES	± 0.2	INITIAL REVISION:		001	REVISION		
1 PLACE	±	DRWN: EKSOH	2012/08/03	A			
0 PLACES	±	APPR: SHLENI	2013/05/09				
DRAFT WHERE APPLICABLE MUST REMAIN WITHIN DIMENSIONS		THIRD ANGLE PROJECTION	DRAWING	SERIES	MATERIAL NUMBER	CUSTOMER	SHEET NUMBER
			A3-SIZE	78731	SEE TABLE	GENERAL MARKET	5 OF 5