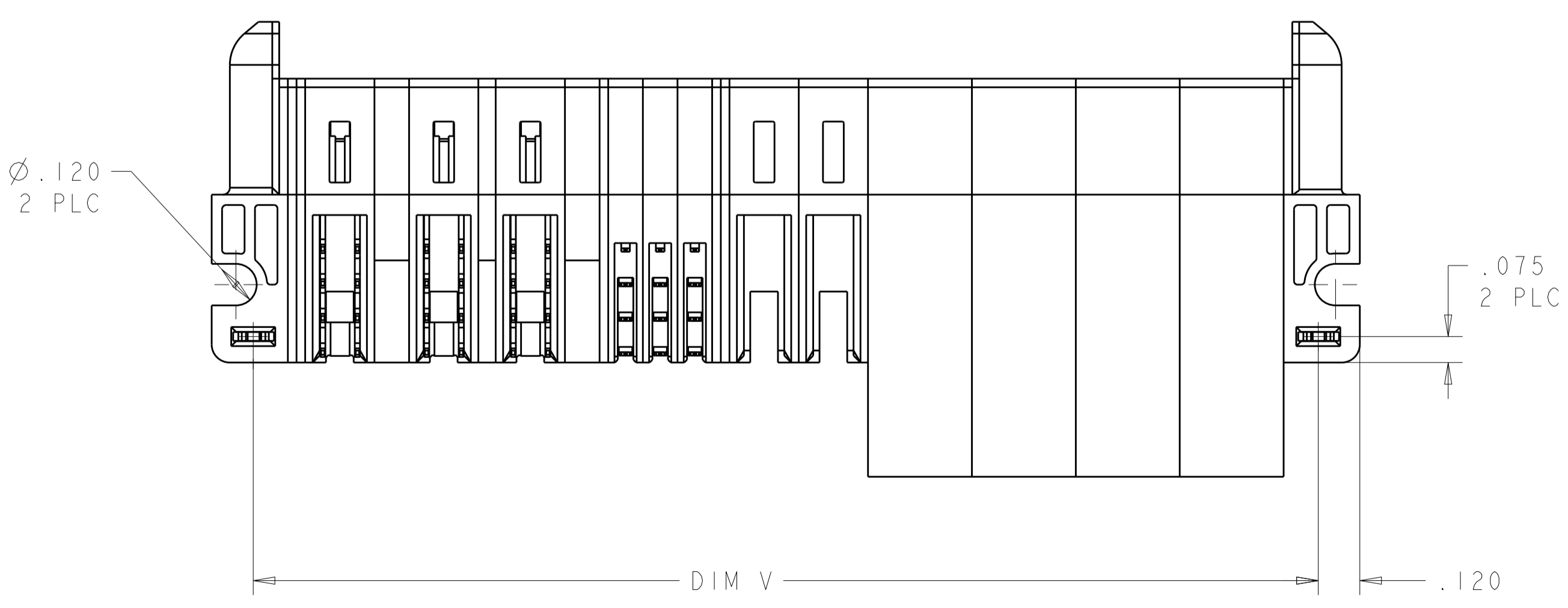
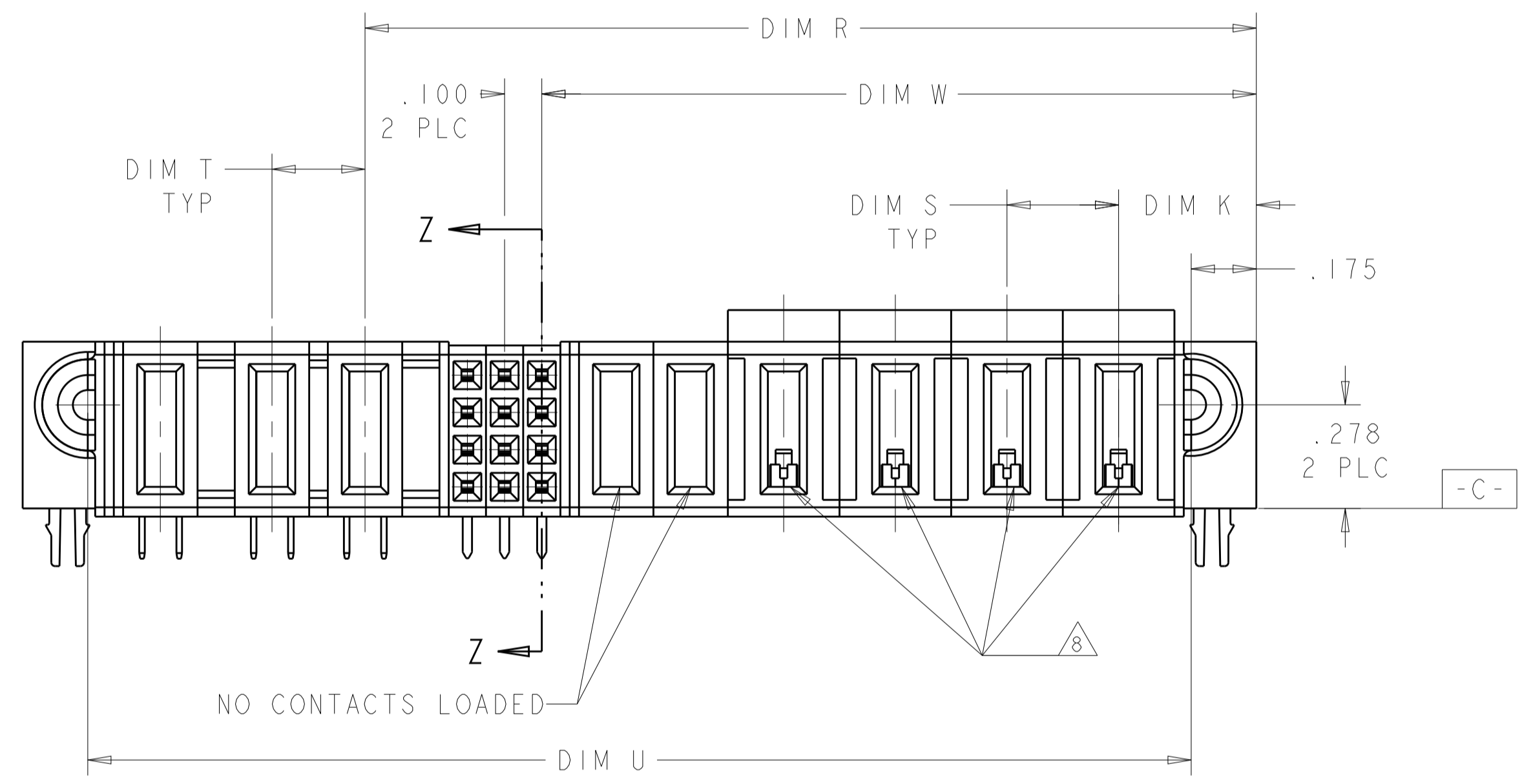
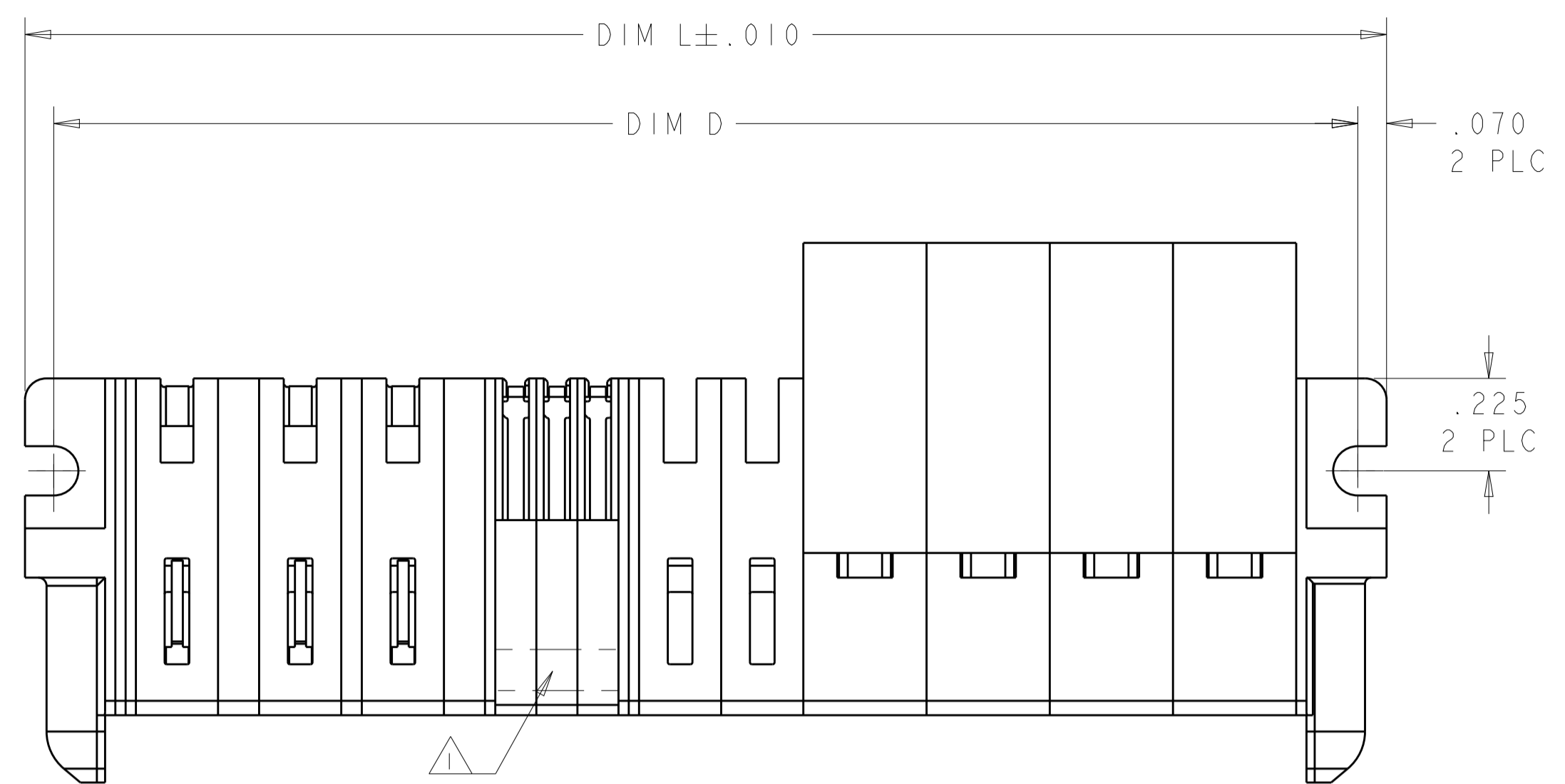
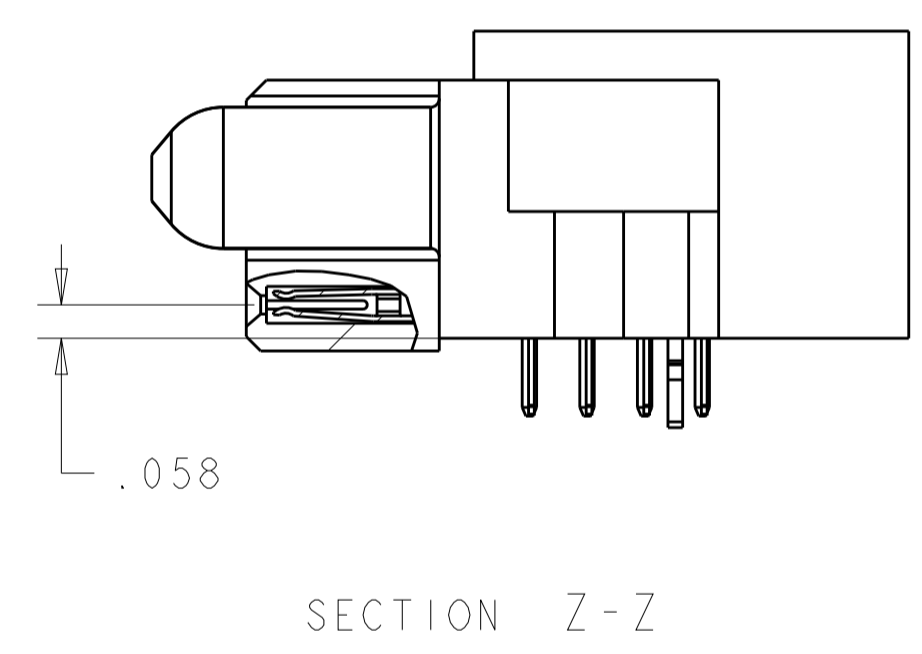
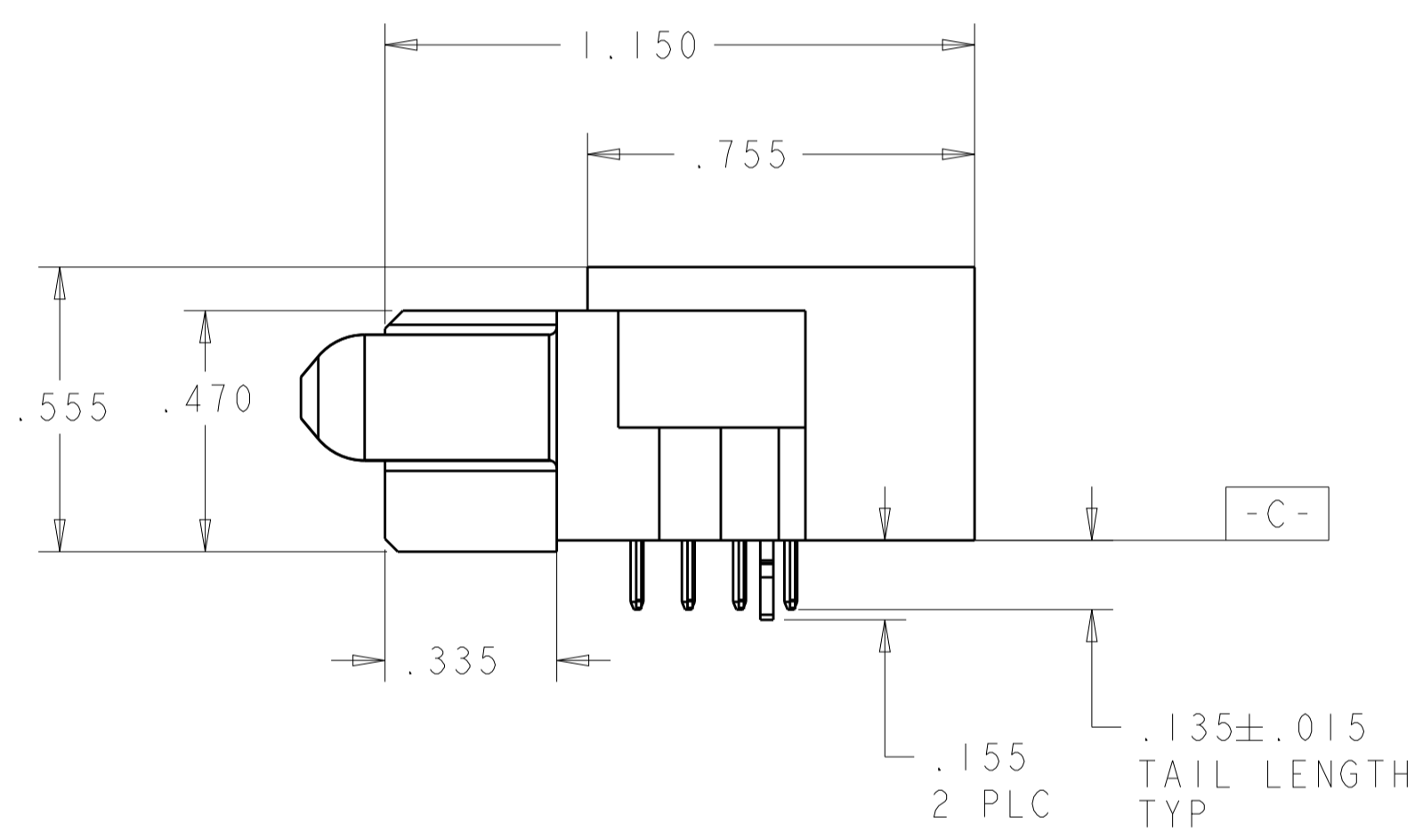


LOC	DIST	REVISIONS					
		P	LTN	DESCRIPTION	DATE	DWN	APVD
ES	00	B3		ADDED NEW DASH NUMBER -7	12SEP2016	CZ	SZ
		B4		ADDED NEW DASH NUMBER -8	29SEP2016	RS	SZ



- ⚠ "AMP", PART NUMBER, AND DATECODE TO BE MARKED IN AREA SHOWN. PARTS UNDER 2.00 LONG MAY BE MARKED ON BOTH SIDES.
- ⚠ MATERIAL: HOUSING - GLASS FILLED HIGH TEMP THERMO PLASTIC, BLACK, UL94 V-0
SIGNAL CONTACT - COPPER ALLOY
POWER CONTACT - HIGH CONDUCTIVITY COPPER ALLOY
- ⚠ CONTACT PLATING: NOBLE METAL PLATING ON CONTACT FUNCTIONAL AREA OF POWER AND SIGNAL CONTACTS.
- ⚠ MECHANICAL CONNECTOR KEEP OUT ZONE.
- ⚠ DATUM AND BASIC DIMENSIONS ESTABLISHED BY CUSTOMER.
- ⚠ PCB - HOLE DIAMETERS ARE FINISHED HOLE SIZE.
- ⚠ PCB - .0453±.0010 DRILLED HOLES PLATED WITH .0003 MIN Sn OVER .001 TO .003 Cu PLATING TO ACHIEVE A .040 DIA HOLE.
- ⚠ A/C POWER CABLE CONTACT LOADED IN THESE CAVITIES.
- ⚠ VARIABLE DIMENSIONS PLEASE SEE PART TABLE.



PROPOSED PART

-	-	⚠	5.290	5.050	4.940	5.150	4.420	.370	3ACP + 12P + 28S	6450874-8
-	-	⚠	5.290	5.050	4.940	5.150	4.420	.370	3ACP + 12P + 28S	6450874-7
-	-	⚠	4.015	3.775	3.665	3.875	3.445	.370	3ACP + 9P + 16S	6450874-6
-	-	⚠	4.015	3.775	3.665	3.875	3.445	.370	3ACP + 9P + 16S	6450874-5
-	-	⚠	5.290	5.050	4.940	5.150	4.420	.370	3ACP + 12P + 28S	6450874-4
-	-	⚠	2.965	2.725	2.615	2.825	2.195	.370	3ACP + 4P + 24S	6450874-3
-	-	⚠	5.290	5.050	4.940	5.150	4.420	.370	3ACP + 12P + 28S	6450874-2
⚠	2.395	.300	3.315	3.075	2.965	3.175	1.920	.370	4ACP + 12S + 3P	6450874-1
DIM T	DIM R	DIM S	DIM L	DIM V	DIM U	DIM D	DIM W	DIM K	DESCRIPTION	PART NUMBER

THIS DRAWING IS A CONTROLLED DOCUMENT. DWN: C. ZHOU 02JUN2009
CHK: S. ZHAO 02JUN2009

DIMENSIONS: INCHES(MM)
TOLERANCES UNLESS OTHERWISE SPECIFIED:
0 PLC ±.
1 PLC ±.01
2 PLC ±.01
3 PLC ±.005
4 PLC ±.0020
ANGLES ±.7°

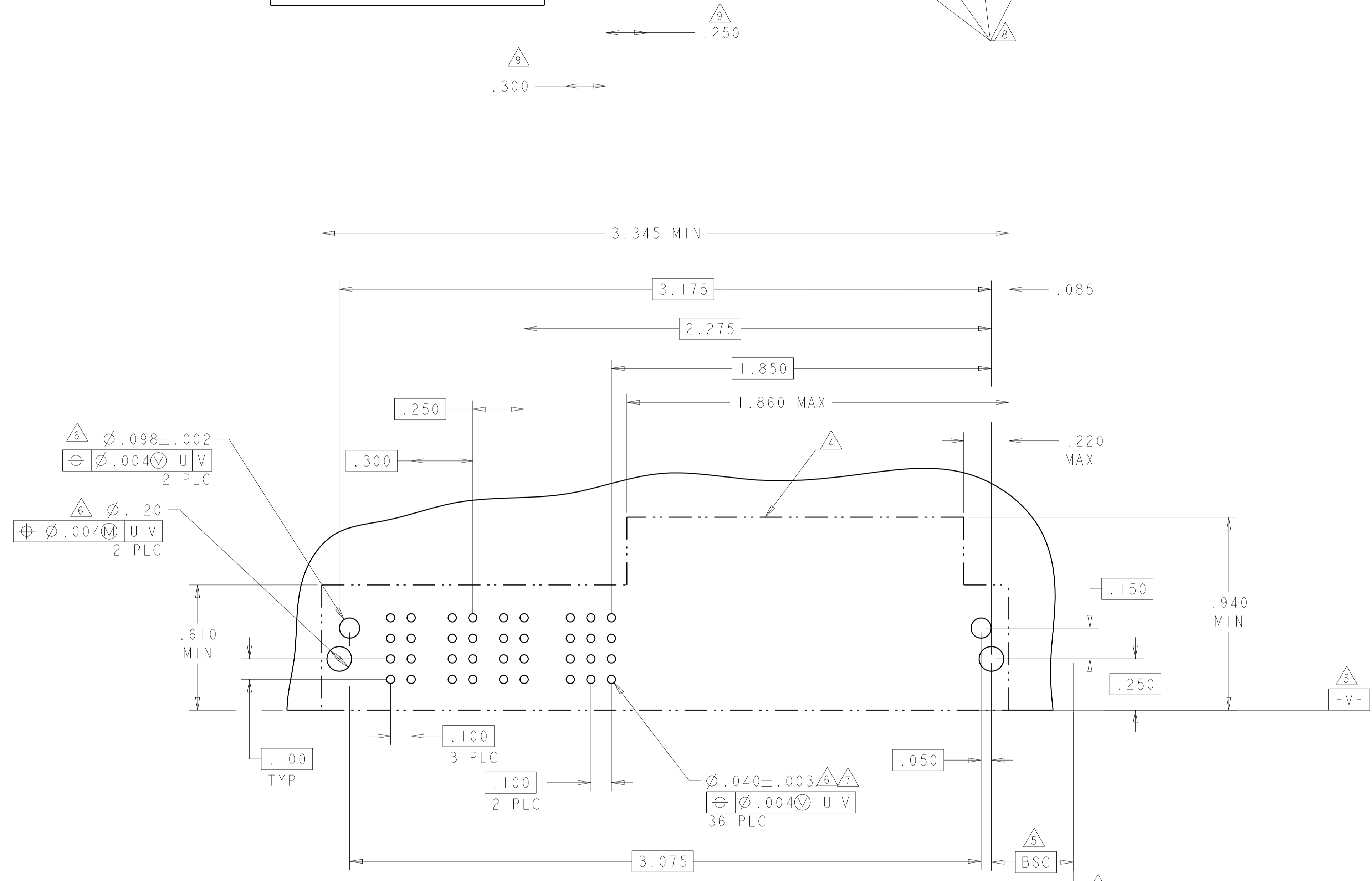
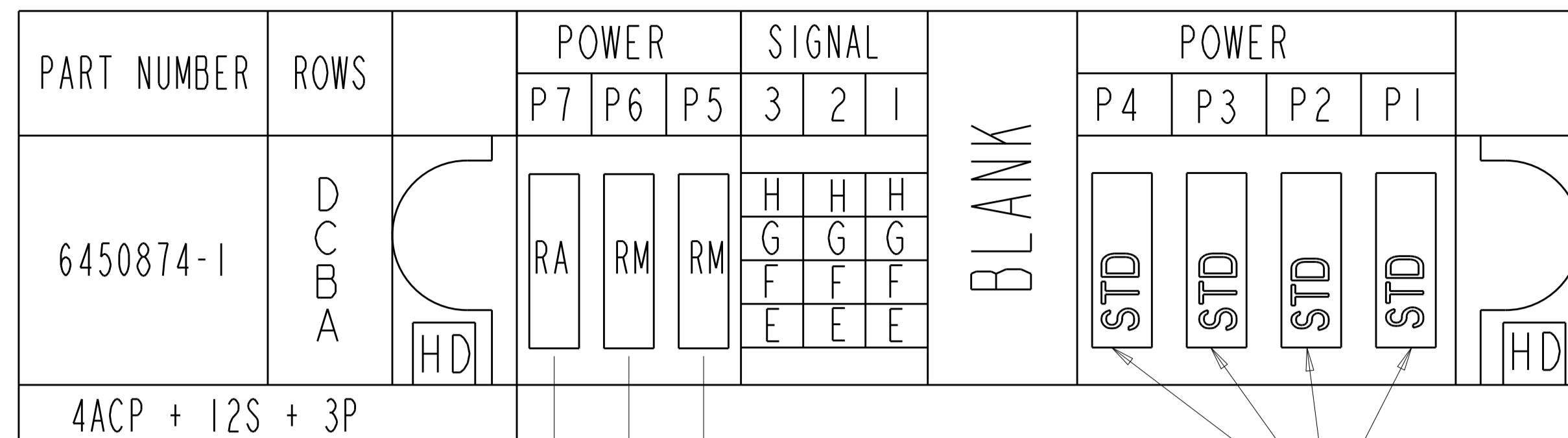
MATERIAL: FINISH:

APVD: S. YAO
NAME: S. YAO
PRODUCT SPEC: 108-2292
APPLICATION SPEC: 114-13038
WEIGHT: -
CUSTOMER DRAWING

STE TE Connectivity
RIGHT ANGLE RECEPTACLE ASSEMBLY
A/C PASS THRU W/SLIM GUIDES
MULTI-BEAM XLE

SIZE: A1
CAGE CODE: 100779
DRAWING NO: 6450874
SCALE: 3:1
SHEET: 1 of 8
REV: B4

REVISIONS			DATE	DWN	APVD
P	LTH	DESCRIPTION			
-	-	SEE SHEET 1	-	-	-

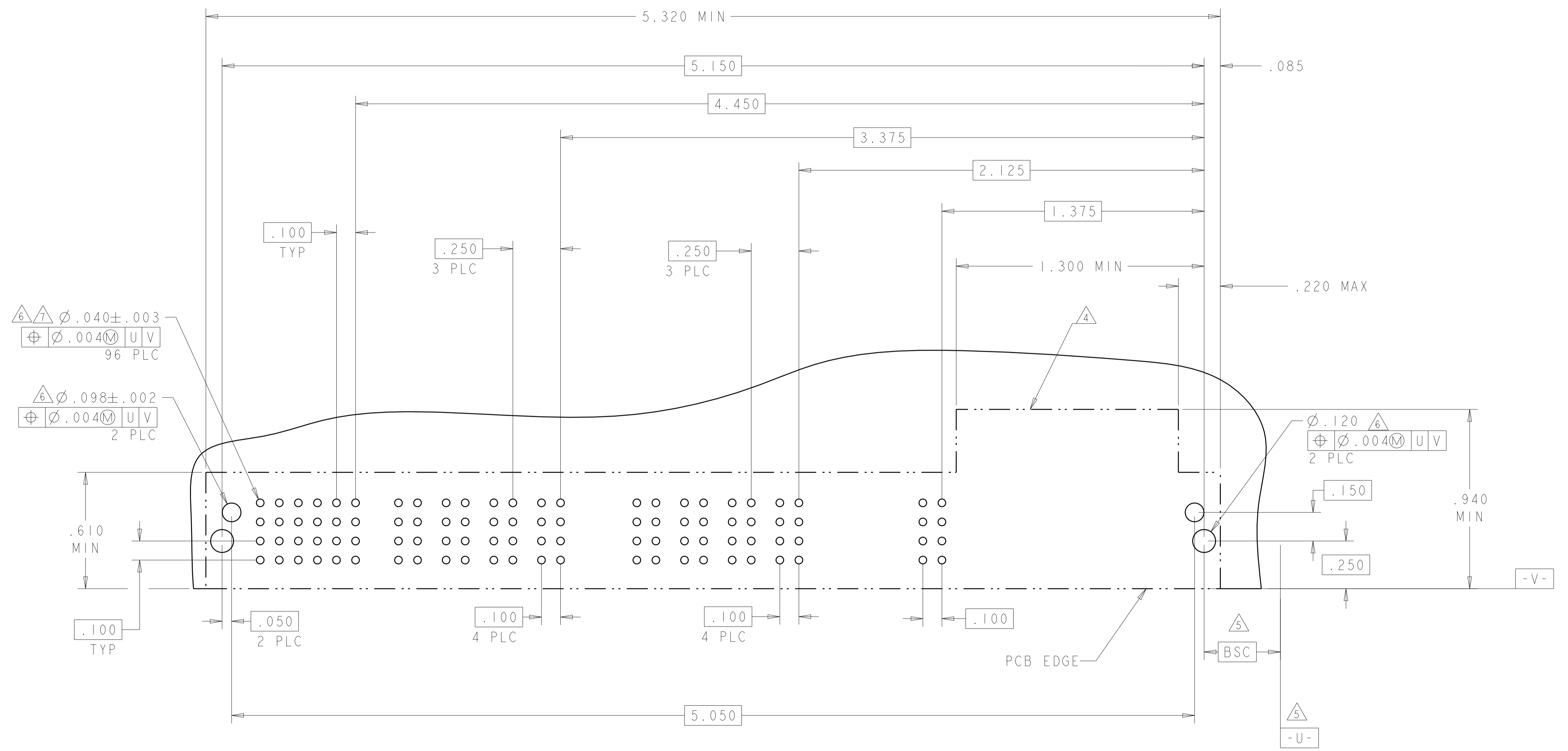
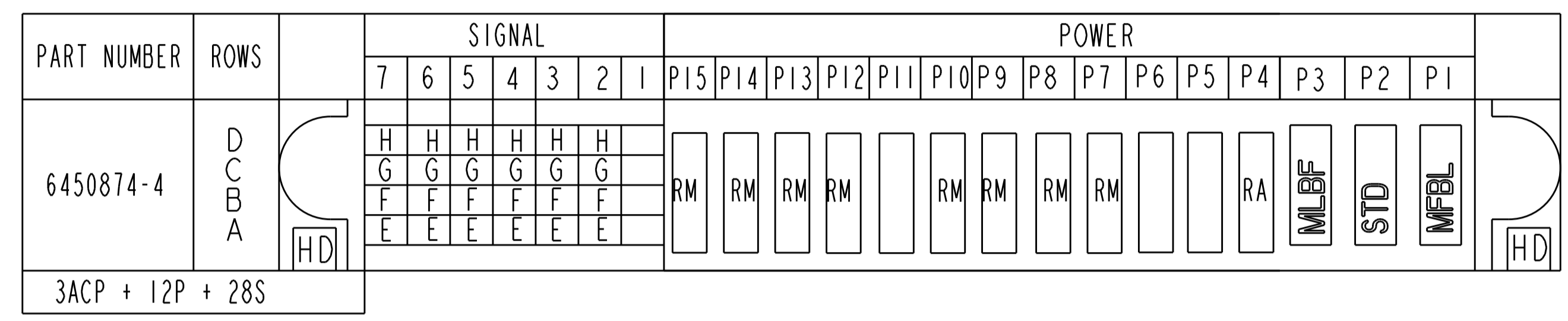
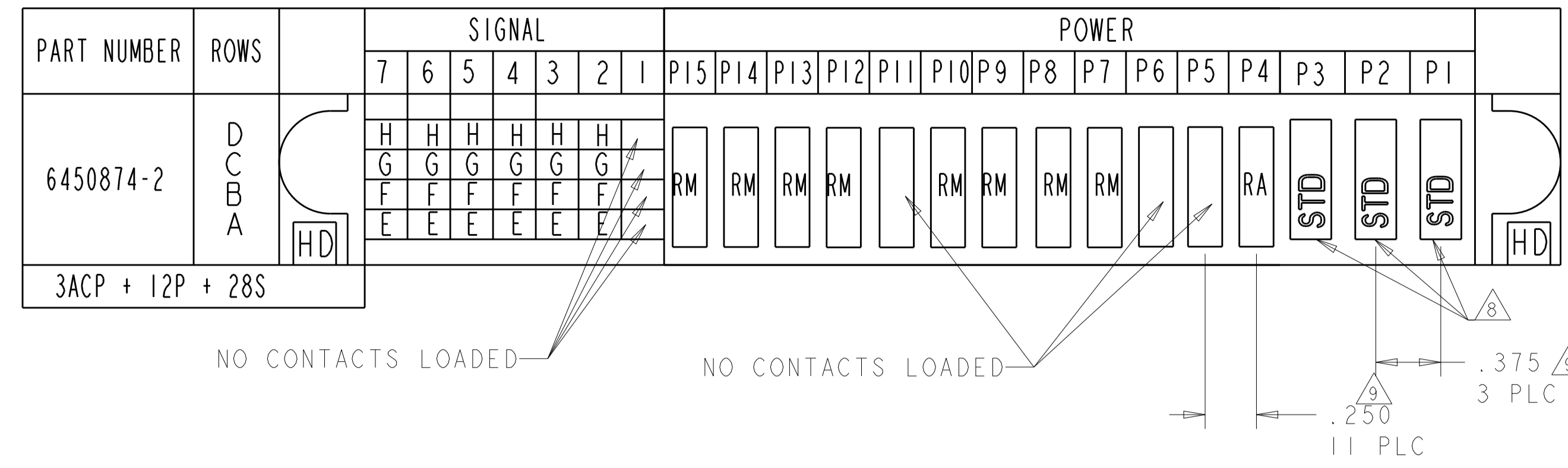


RECOMMENDED PCB LAYOUT

STANDARD SIGNAL CONTACT, .135 TAIL LENGTH, ROW D	H
STANDARD SIGNAL CONTACT, .135 TAIL LENGTH, ROW C	G
STANDARD SIGNAL CONTACT, .135 TAIL LENGTH, ROW B	F
STANDARD SIGNAL CONTACT, .135 TAIL LENGTH, ROW A	E
MFBL POWER CONTACT, .135 TAIL LENGTH	RA
STD POWER CONTACT, .135 TAIL LENGTH	RM
HOLD DOWN	HD
DESCRIPTION	IDENTIFIER

DIMENSIONS:		TOLERANCES UNLESS OTHERWISE SPECIFIED:		APVD		NAME	
INCHES	[MM]	0 PLC	±	C. ZHOU	02JUN2009	RIGHT ANGLE RECEPTACLE ASSEMBLY	
		1 PLC	±.01	S. ZHAO	02JUN2009	A/C PASS THRU W/SLIM GUIDES	
		2 PLC	±.01	MULTI-BEAM XLE			
		3 PLC	±.005	108-2292			
		4 PLC	±.0020	114-13038			
		ANGLES	±.020	114-13038			
MATERIAL	FINISH	WEIGHT		CUSTOMER DRAWING		SCALE 3:1 SHEET 2 OF 8 REV B4	

LOC	DIST	REVISIONS			
P	L	DESCRIPTION	DATE	DWN	APVD
-	-	SEE SHEET 1	-	-	-

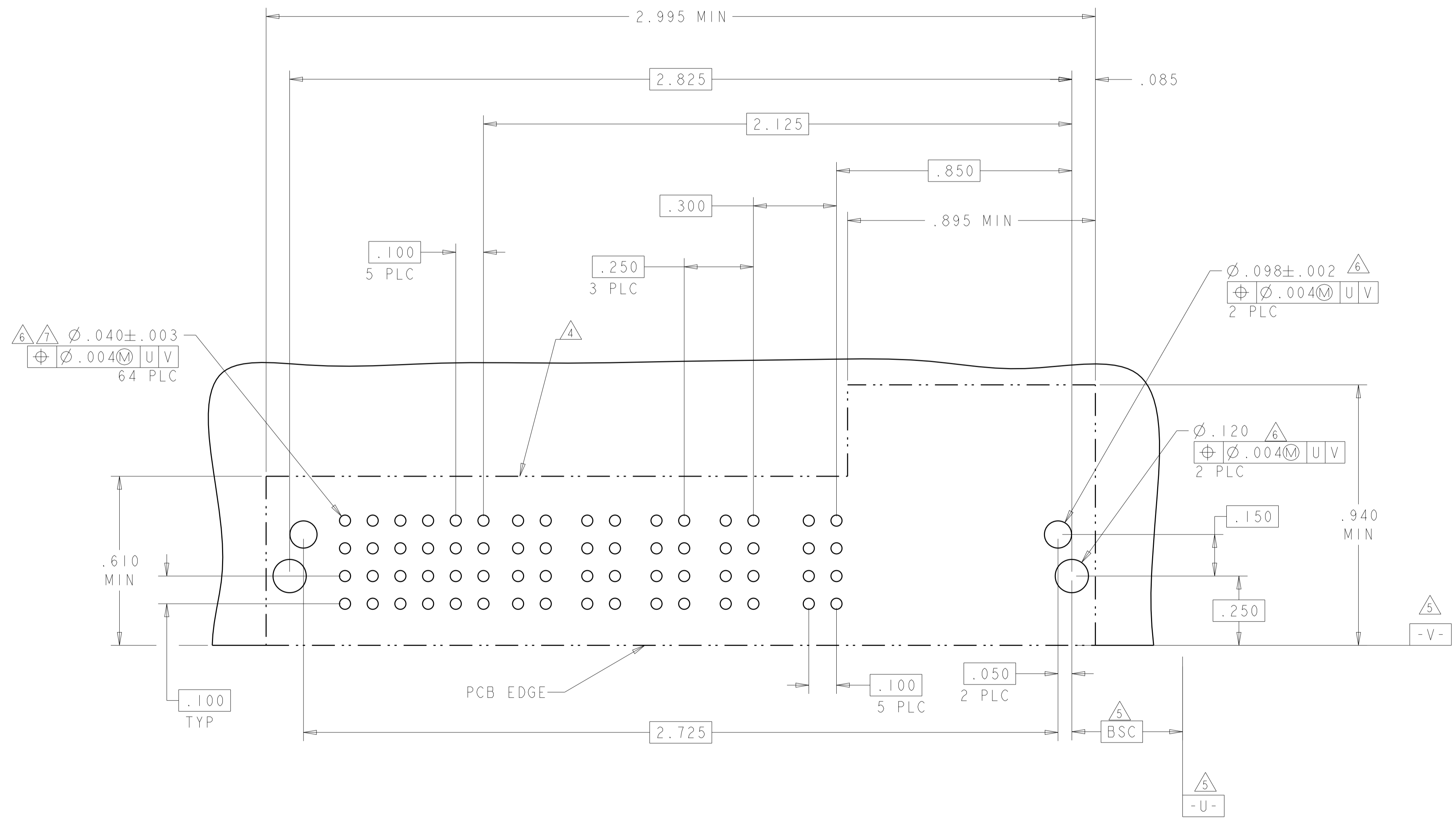
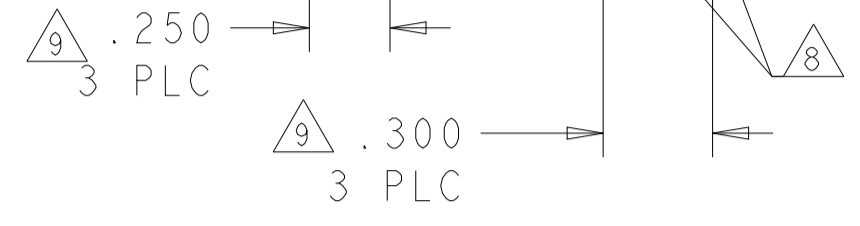


RECOMMENDED PCB LAYOUT

THIS DRAWING IS A CONTROLLED DOCUMENT.		DWN C. ZHOU 02JUN2009	 TE Connectivity
DIMENSIONS: [INCHES][MM]		CHK S. ZHAO 02JUN2009	
TOLERANCES UNLESS OTHERWISE SPECIFIED:		APVD S. YAO	NAME RIGHT ANGLE RECEPTACLE ASSEMBLY A/C PASS THRU W/SLIM GUIDES MULTI-BEAM XLE
0 PLC ±. 1 PLC ±.01 2 PLC ±.01 3 PLC ±.005 4 PLC ±.002 ANGLES ±.020 FINISH ±.020		PRODUCT SPEC 108-2292 APPLICATION SPEC 114-13038 WEIGHT -	
MATERIAL		SIZE A100779	CUSTOMER DRAWING SCALE 3:1 SHEET 3 OF 8 REV B4

LOC		DIST		REVISIONS			
P	LTN	DESCRIPTION	DATE	DMN	APVD		
-	-	SEE SHEET 1	-	-	-		

PART NUMBER	ROWS	SIGNAL							POWER										
		6	5	4	3	2	1		P7	P6	P5	P4	P3	P2	P1				
6450874-3	D C B A	H	H	H	H	H	H												
		G	G	G	G	G	G												
		F	F	F	F	F	F		RM	RM	RM	RM	RA	STD	STD				
3ACP + 4P + 24S		HD																HD	

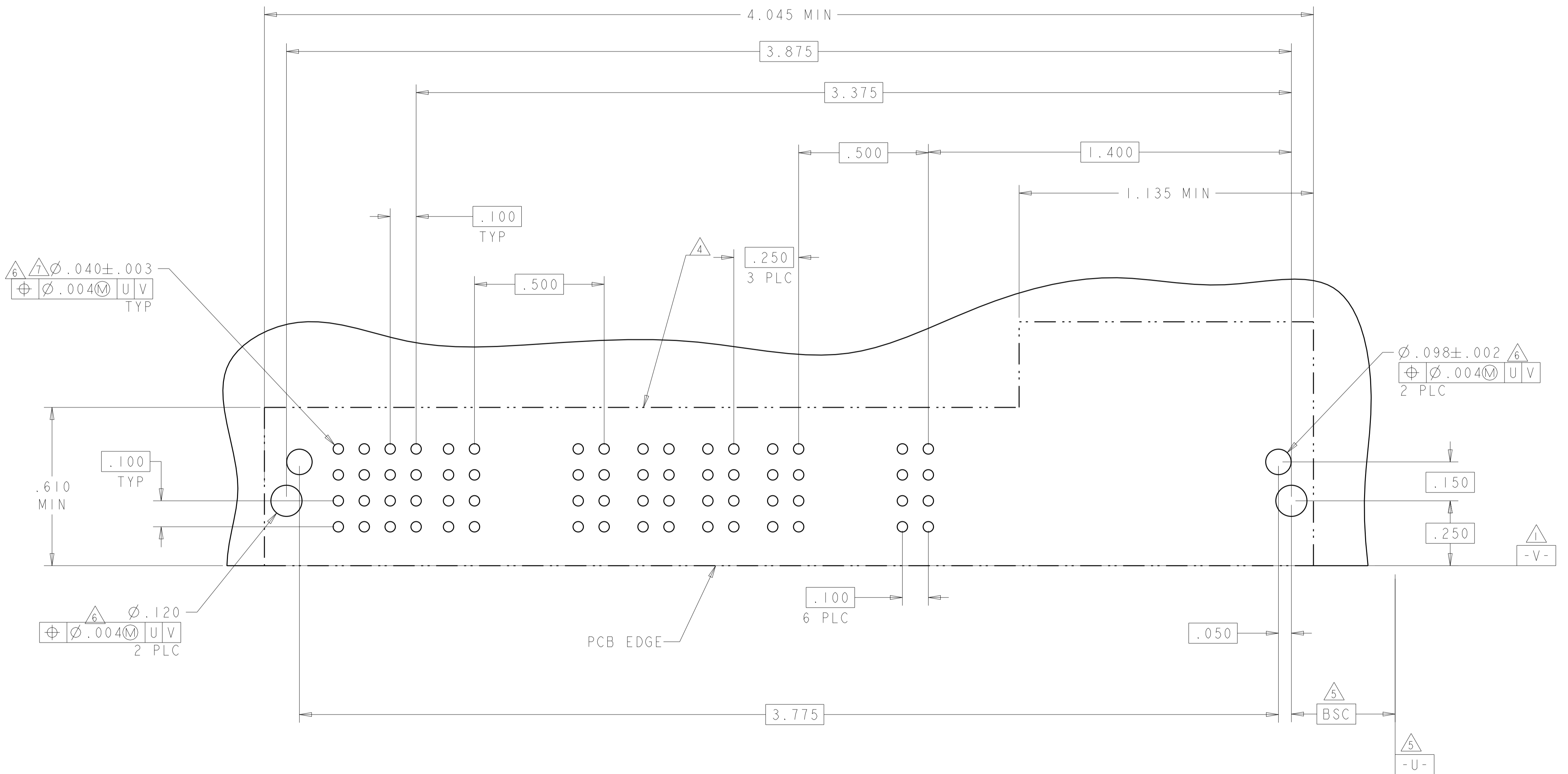
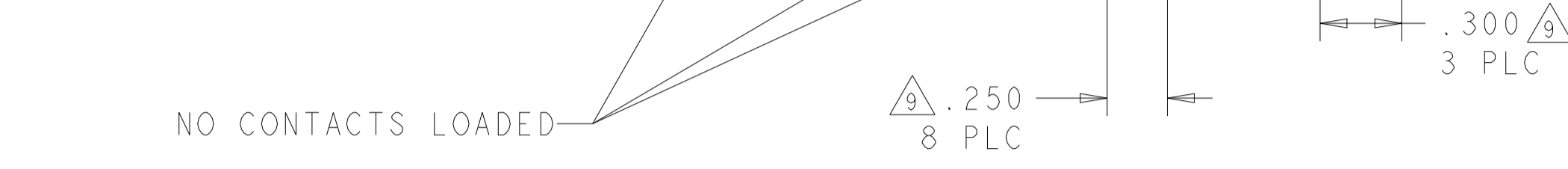


RECOMMENDED PCB LAYOUT

THIS DRAWING IS A CONTROLLED DOCUMENT.		DMN C. ZHOU 02JUN2009	TE Connectivity
DIMENSIONS: INCHES(MM)		CHK S. ZHAO 02JUN2009	
TOLERANCES UNLESS OTHERWISE SPECIFIED: 0 PLC ±. 1 PLC ±.01 2 PLC ±.01 3 PLC ±.005 4 PLC ±.0020 ANGLES ±.2°		APVD S. YAO	NAME RIGHT ANGLE RECEPTACLE ASSEMBLY A/C PASS THRU W/SLIM GUIDES MULTI-BEAM XLE
MATERIAL		PRODUCT SPEC 108-2292	SIZE A100779
FINISH		APPLICATION SPEC 114-13038	DRAWING NO C=6450874
		WEIGHT	RESTRICTED TO
		CUSTOMER DRAWING	SCALE 3:1 SHEET 4 OF 8 REV B4

LOC		DIST		REVISIONS			
P	LTN	DESCRIPTION	DATE	DMN	APVD		
-	-	SEE SHEET 1	-	-	-		

PART NUMBER	ROWS	SIGNAL				POWER											
		4	3	2	1	PI2	PI1	PI0	P9	P8	P7	P6	P5	P4	P3	P2	PI
6450874-5	D	H	H	H	H	RM	RM	RM	RM	RM	RM	RM	RM	RM	STD	STD	HD
	C	G	G	G	G												
	B	F	F	F	F												
	A	E	E	E	E												



THIS DRAWING IS A CONTROLLED DOCUMENT.		DMN C. ZHOU 02JUN2009	TE Connectivity														
DIMENSIONS: INCHES[MM]		CHK S. ZHAO 02JUN2009															
TOLERANCES UNLESS OTHERWISE SPECIFIED:		APVD S. YAO	NAME RIGHT ANGLE RECEPTACLE ASSEMBLY														
<table border="1"> <tr><td>0 PLC</td><td>±</td></tr> <tr><td>1 PLC</td><td>±.01</td></tr> <tr><td>2 PLC</td><td>±.005</td></tr> <tr><td>3 PLC</td><td>±.002</td></tr> <tr><td>4 PLC</td><td>±.002</td></tr> <tr><td>ANGLES</td><td>±.020</td></tr> <tr><td>FINISH</td><td>±.020</td></tr> </table>		0 PLC	±	1 PLC	±.01	2 PLC	±.005	3 PLC	±.002	4 PLC	±.002	ANGLES	±.020	FINISH	±.020	PRODUCT SPEC 108-2292	A/C PASS THRU W/SLIM GUIDES
0 PLC	±																
1 PLC	±.01																
2 PLC	±.005																
3 PLC	±.002																
4 PLC	±.002																
ANGLES	±.020																
FINISH	±.020																
MATERIAL		APPLICATION SPEC 114-13038	MULTI-BEAM XLE														
FINISH		WEIGHT	SIZE A100779														
CUSTOMER DRAWING		SCALE 3:1	DRAWING NO 6450874														
		SHEET 5	OF 8														
		REV B4															

LOC		DIST		REVISIONS			
P	LTN	DESCRIPTION	DATE	DWN	APVD		
-	-	SEE SHEET 1	-	-	-		

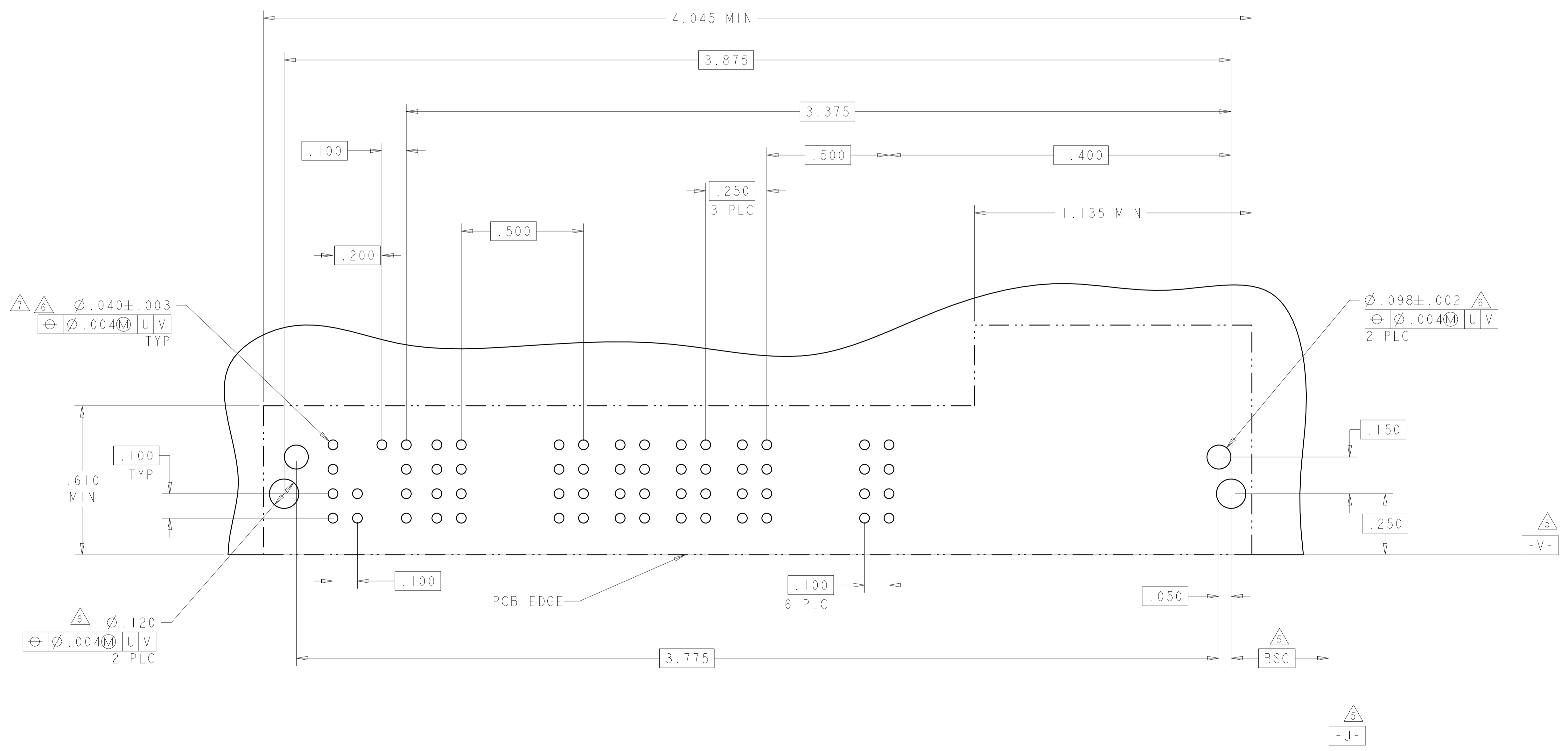
PART NUMBER	ROWS	SIGNAL				POWER												
		4	3	2	1	PI2	PI1	PI0	P9	P8	P7	P6	P5	P4	P3	P2	PI1	
6450874-6	D C B A	H	H	H														
		G	F	F	F	RM	RM	RM	RM	RM	RM	RM	RM	RM	STD	STD		
		E	E	E														

3ACP + 9P + 16S

NO CONTACTS LOADED

.250
8 PLC

.300
3 PLC

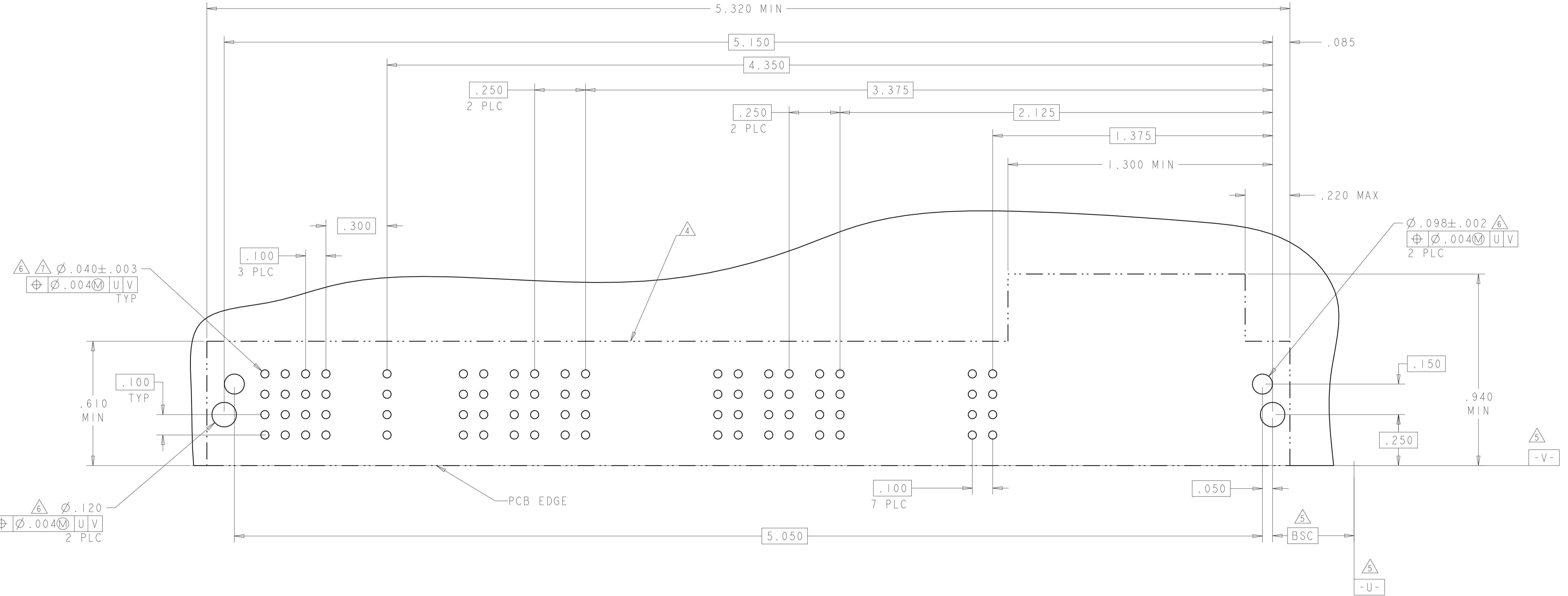


THIS DRAWING IS A CONTROLLED DOCUMENT.		DWN C. ZHOU 02JUN2009	TE Connectivity
DIMENSIONS: INCHES(MM)		CHK S. ZHAO 02JUN2009	
TOLERANCES UNLESS OTHERWISE SPECIFIED:		APVD S. YAO	NAME RIGHT ANGLE RECEPTACLE ASSEMBLY
0 PLC ± 1 PLC ±.01 2 PLC ±.01 3 PLC ±.005 4 PLC ±.0020 ANGLES ±.020		PRODUCT SPEC 108-2292	A/C PASS THRU W/SLIM GUIDES
MATERIAL		APPLICATION SPEC 114-13038	MULTI-BEAM XLE
FINISH		SIZE A100779	DRAWING NO C=6450874
CUSTOMER DRAWING		WEIGHT	RESTRICTED TO
SCALE 3:1		SHEET 6 OF 8	REV B4

LOC	DIST	REVISIONS			
P	LTH	DESCRIPTION	DATE	DMN	APVD
-	-	SEE SHEET 1	-	-	-

PART NUMBER	ROWS	SIGNAL							POWER														
		7	6	5	4	3	2	1	PI5	PI4	PI3	PI2	PI1	PI0	P9	P8	P7	P6	P5	P4	P3	P2	PI
6450874-7	D	H	H	H	H		H																
	C	G	G	G	G		G																
	B	F	F	F	F		F																
	A	E	E	E	E		E																
3ACP + 12P + 28S																							

NO CONTACTS LOADED
 NO CONTACTS LOADED
 .250 11 PLC
 .375 3 PLC

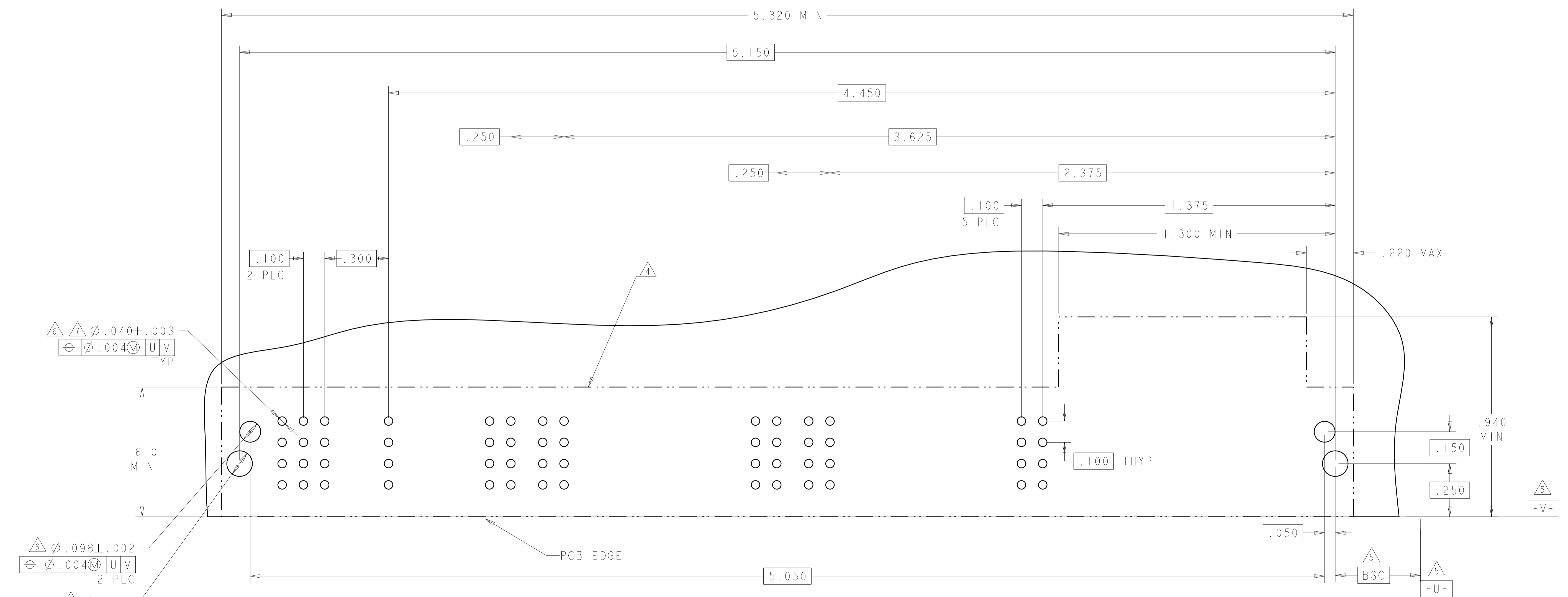


THIS DRAWING IS A CONTROLLED DOCUMENT.		DMN: C. ZHOU 02JUN2009	STE TE Connectivity
DIMENSIONS: INCHES(MM)		CHK: S. ZHAO 02JUN2009	
TOLERANCES UNLESS OTHERWISE SPECIFIED:		APVD: S. YAO	NAME: RIGHT ANGLE RECEPTACLE ASSEMBLY
0 PLC ± .01		PRODUCT SPEC	A/C PASS THRU W/SLIM GUIDES
1 PLC ± .01		108-2292	MULTI-BEAM XLE
2 PLC ± .01		APPLICATION SPEC	SIZE: CAGE CODE DRAWING NO
3 PLC ± .005		114-13038	RESTRICTED TO
4 PLC ± .0020		WEIGHT	A100779C=6450874
ANGLES ± .020		CUSTOMER DRAWING	SCALE: 3:1 SHEET 7 OF 8 REV: B4
FINISH			

LOC		DIST		REVISIONS				
P	LTN	DESCRIPTION	DATE	DMN	APVD			
-	-	SEE SHEET 1	-	-	-			

PART NUMBER	ROWS	SIGNAL							POWER														
		7	6	5	4	3	2	1	P15	P14	P13	P12	P11	P10	P9	P8	P7	P6	P5	P4	P3	P2	P1
6450874-8	D	H	H	H			H																
	C	G	G	G			G																
	B	F	F	F			F																
	A	E	E	E			E																
		[HD]																		[HD]			

NO CONTACTS LOADED



- $\Delta \phi .040 \pm .003$
 $\oplus \phi .004 \text{ M U V TYP}$
- $\Delta \phi .098 \pm .002$
 $\oplus \phi .004 \text{ M U V 2 PLC}$
- $\Delta \phi .120$
 $\oplus \phi .004 \text{ M U V 2 PLC}$

THIS DRAWING IS A CONTROLLED DOCUMENT.

DIMENSIONS: INCHES(MM)	TOLERANCES UNLESS OTHERWISE SPECIFIED: 0 PLC ±. 2 PLC ±.01 3 PLC ±.005 4 PLC ±.0020 ANGLES ±.0°	FINISH	DMN C. ZHOU CHK S. ZHAO APVD S. YAO	DATE 02JUN2009 02JUN2009	NAME RIGHT ANGLE RECEPTACLE ASSEMBLY A/C PASS THRU W/SLIM GUIDES MULTI-BEAM XLE
MATERIAL			PRODUCT SPEC 108-2292	APPLICATION SPEC 114-13038	SIZE A100779
			WEIGHT	CAGE CODE C=6450874	RESTRICTED TO
			CUSTOMER DRAWING	SCALE 3:1	SHEET 8 OF 8

STE TE Connectivity

REV B4