



82C08 CHMOS DYNAMIC RAM CONTROLLER

- 0 Wait State with INTEL μ Processors
- IAPX 286 } 82C08-20 20 MHz
(10, 8 MHz) } 82C08-16 16 MHz
iAPX 186/88 } 82C08-10 10 MHz
86/88 } 82C08-8 8 MHz
- Supports 64K and 256K DRAMs
(256K x 1 and 256K x 4 Organizations)
- Power Down Mode with Programmable
Memory Refresh using Battery Backup
- Directly Addresses and Drives up to
1 Megabyte without External Drivers
- Microprocessor Data Transfer and
Advance Acknowledge Signals
- Five Programmable Refresh Modes
- Automatic RAM Warm-up
- Pin-Compatible with 8208
- 48 Lead Plastic DIP; 68 Lead PLCC
- (See Intel Packaging; Order Number: 231369-001)
- Compatible with Normal Modes of
Static Column and Ripplemode DRAMs

The Intel 82C08 Dynamic RAM Controller is a CMOS, high performance, systems oriented, Dynamic RAM controller that is designed to easily interface 64K and 256K Dynamic RAMs to Intel and other microprocessors. The 82C08 also has a power down mode where only the refresh logic is activated using battery backup.

3

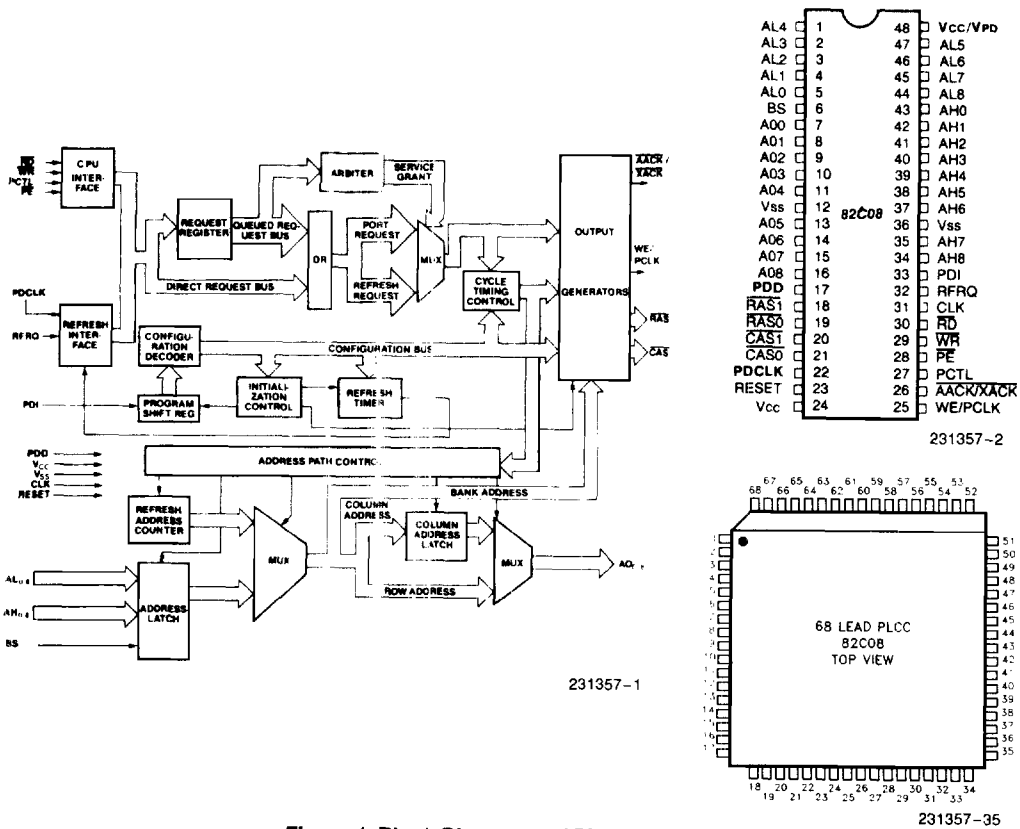


Figure 1. Block Diagram and Pinout Diagrams

The complete document for this product is available on Intel's "Data-on-Demand" CD-ROM product. Contact your local Intel field sales office, Intel technical distributor, or call 1-800-548-4725.

September 1990

Order Number: 231357-008