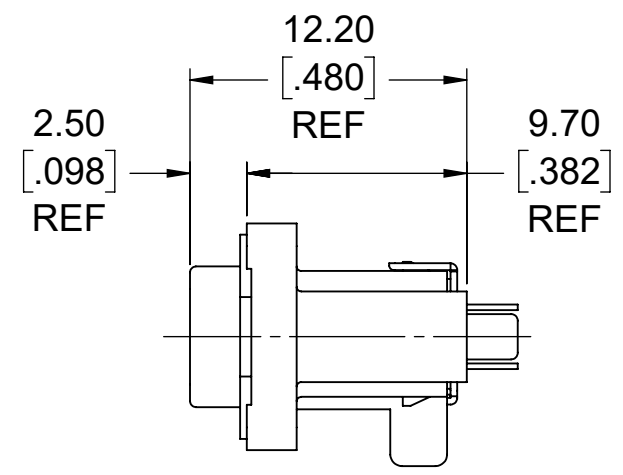
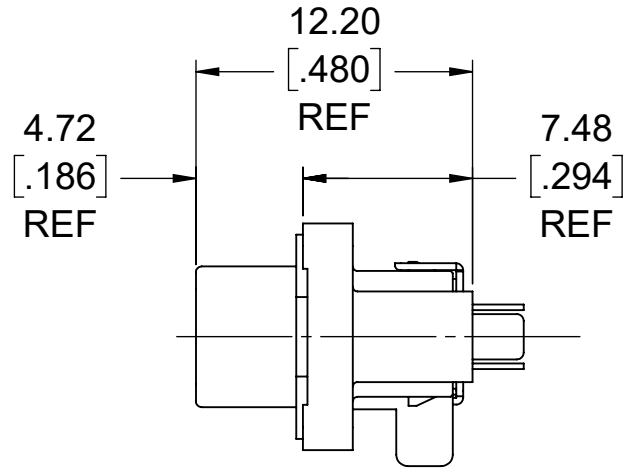


REVISIONS			
REV	DESCRIPTION, ECN, EAR NO.	DATE	APP'D
A	PROPOSAL DRAWING (EAR 14162)	SEP10/14	K.L.
B	PRODUCT DRAWING (EAR 14848)	AUG06/20	K.L.

FRONT FLANGE POSITION

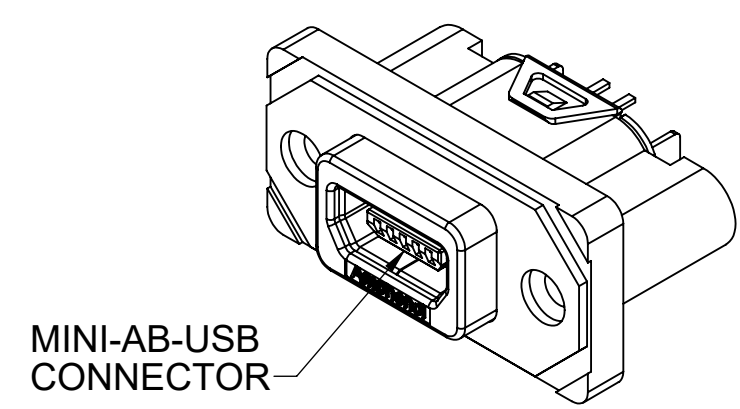


REAR FLANGE POSITION

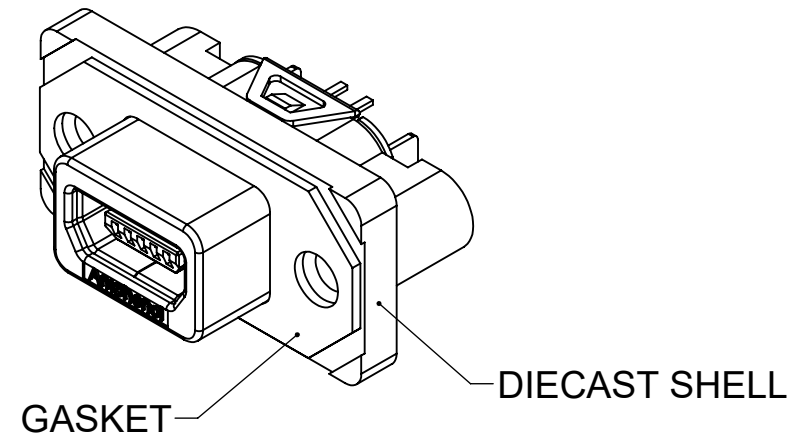


ORDERING CODE: MUSBR-E551-XX

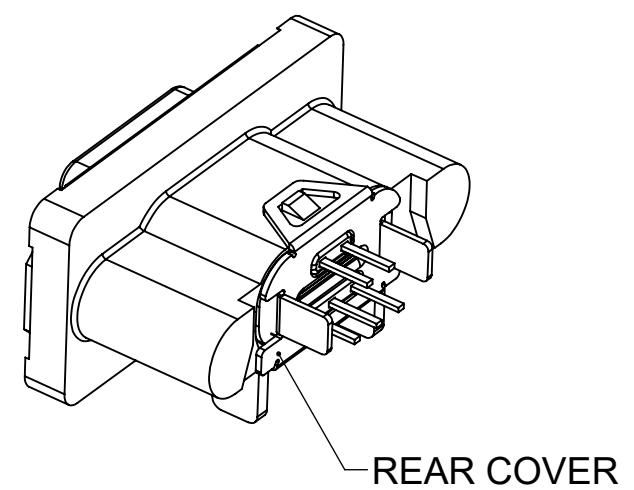
- SERIES, RUGGED USB
- USB MINI-AB RECEPTACLE VERTICAL PCB TAILS
- FLANGE & THREAD OPTION
 - 3 = FRONT FLANGE POS'N, #2-56 UNC THREAD
 - 5 = REAR FLANGE POS'N, #2-56 UNC THREAD
 - M = FRONT FLANGE POS'N, M2.5 x 0.45 THREAD
 - T = REAR FLANGE POS'N, M2.5 x 0.45 THREAD
 - U = FRONT FLANGE POS'N, M2.0 x 0.4 THREAD
 - V = REAR FLANGE POS'N, M2.0 x 0.4 THREAD
- DUST COVER OPTION
 - 0 = WITH NO DUST COVER SUPPLIED
 - 1 = WITH GREY DUST COVER SUPPLIED
 - 5 = WITH BLACK DUST COVER SUPPLIED



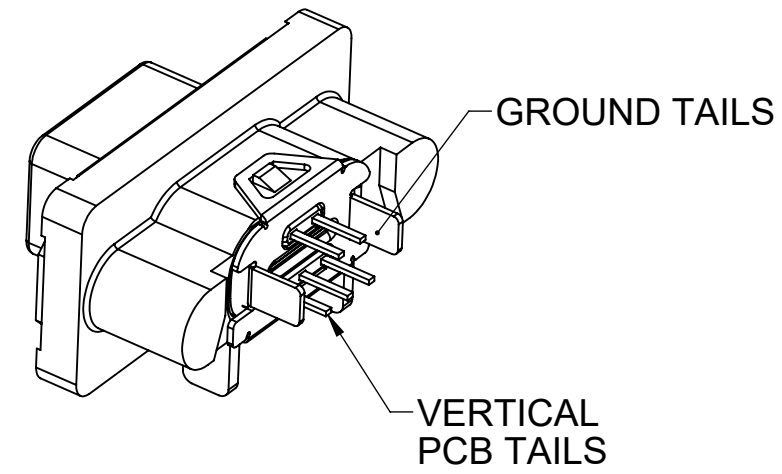
MINI-AB-USB CONNECTOR



GASKET DIECAST SHELL



REAR COVER



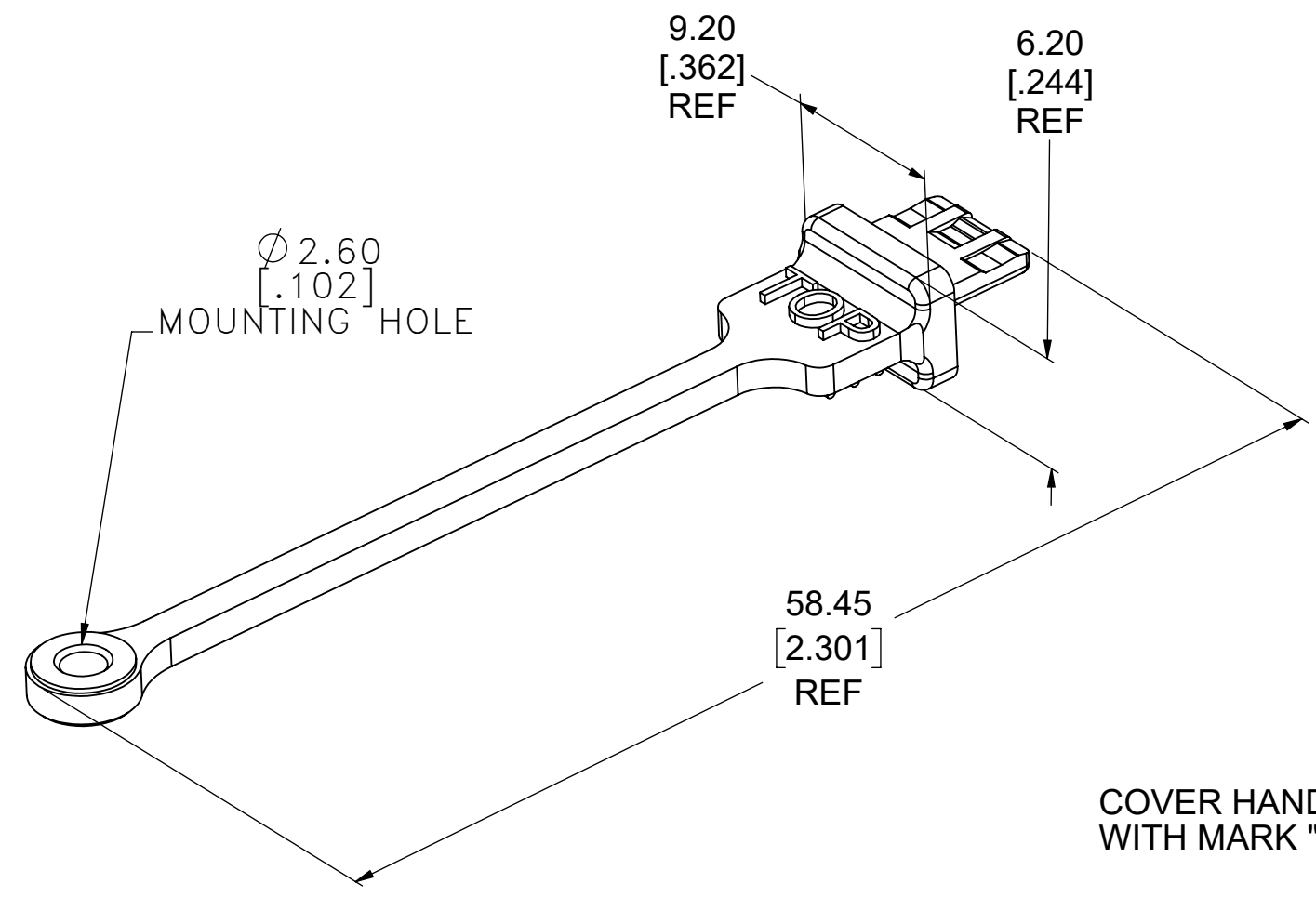
GROUND TAILS VERTICAL PCB TAILS

SPECIAL CONNECTORS
MANY UNIQUE FEATURES ARE READILY AVAILABLE TO SUIT CUSTOMER REQUIREMENTS. CONSULT WITH AMPHENOL CANADA FOR DETAILS.

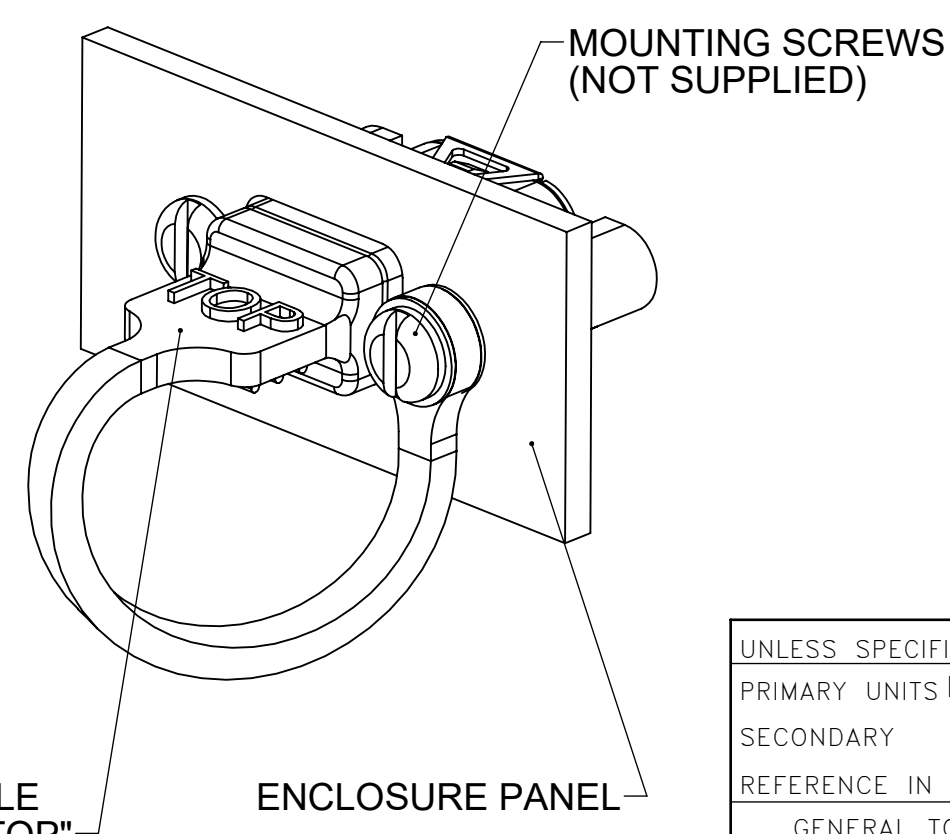
NOTES:

1. MATERIAL: ALL MATERIALS ARE RoHS COMPLIANT PER EU DIRECTIVE 2011/65/EU AND AMENDMENTS
 - OUTER SHELL: DIECAST ZINC ALLOY, MATTE TIN OVER NICKEL PLATED
 - CONTACTS: PHOSPHOR BRONZE, PLATED WITH 0.76 μm [30μ"] MINIMUM GOLD OVER 1.27 μm [50μ"] MINIMUM NICKEL ON THE MATING AREA WITH MATTE TIN OVER NICKEL ON THE TAILS
 - USB HOUSING: ENGINEERING THERMOPLASTIC LCP, HIGH TEMPERATURE RESISTANT, FLAMMABILITY RATING UL94V-0, BLACK
 - USB SHIELD: STAINLESS STEEL, PASSIVATED
 - REAR COVER: STAINLESS STEEL, MATTE TIN OVER NICKEL PLATED
 - GASKET: CONDUCTIVE SILICONE RUBBER, BLACK
2. ENVIRONMENTAL PERFORMANCE PER IEC 60529 CODE IP67 FOR SEAL BETWEEN MATING AREA AND PCB SIDE OF CONNECTOR. GASKET PROVIDES SEAL TO INSIDE FACE OF ENCLOSURE PANEL. AVAILABLE DUST COVERS PROVIDE ADDED PROTECTION.
3. CURRENT RATING: 1 AMPERE.
4. CONTACT RESISTANCE: 50 MILLIOHMS MAXIMUM.
5. OPERATING TEMPERATURE: -40°C TO +105°C.
6. DUST COVERS MAY BE ORDERED SEPARATELY. SPECIFY:
 - PART NUMBER MUSB-2E151-005BP FOR GREY COVER
 - PART NUMBER MUSB-2E151-015BP FOR BLACK COVER

DUST COVER OPTION



DUST COVER APPLICATION VIEW



COVER HANDLE WITH MARK "TOP" ENCLOSURE PANEL

UNLESS SPECIFIED OTHERWISE	DRAWN	B.COPPING	SEP10/14
PRIMARY UNITS MILLIMETERS	CHECKED	K.LAMBIE	SEP10/14
SECONDARY INCHES	M.E. APP'D		
REFERENCE IN PARENTHESES	Q.A. APP'D		
GENERAL TOLERANCES	DWG APPR.		
1 DECIMAL PLACE	ENG. REL. NO. EAR 14162		
2 DECIMAL PLACES ±0.15	REF.		
3 DECIMAL PLACES	THIRD ANGLE PROJECTION		
ANGULAR DEGREES	DO NOT SCALE DRAWING		

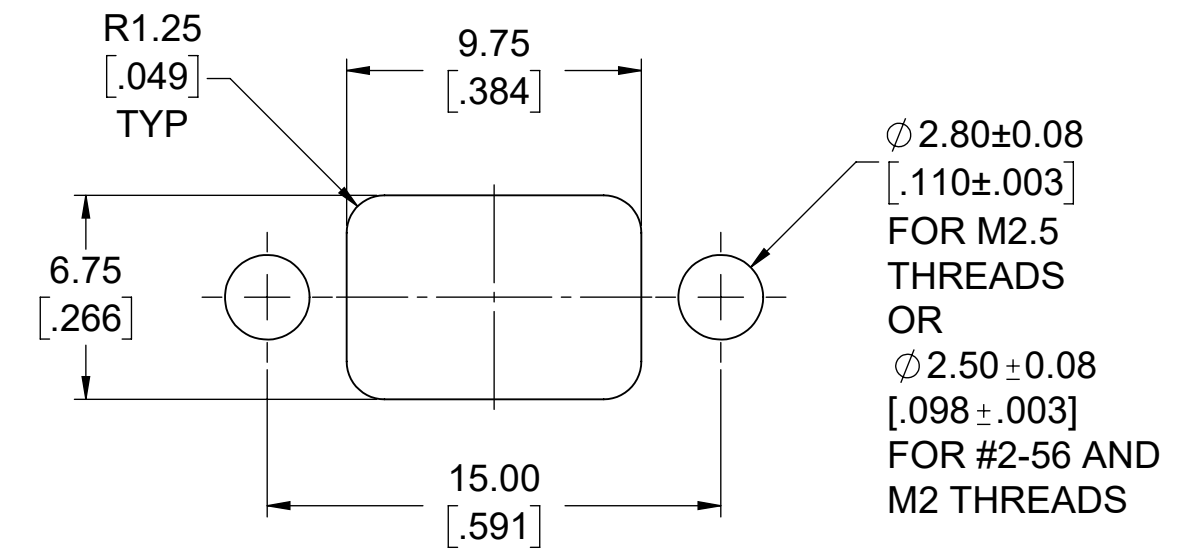
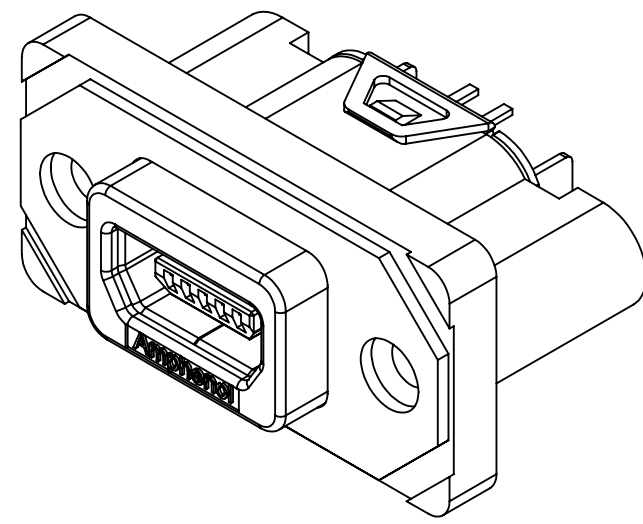
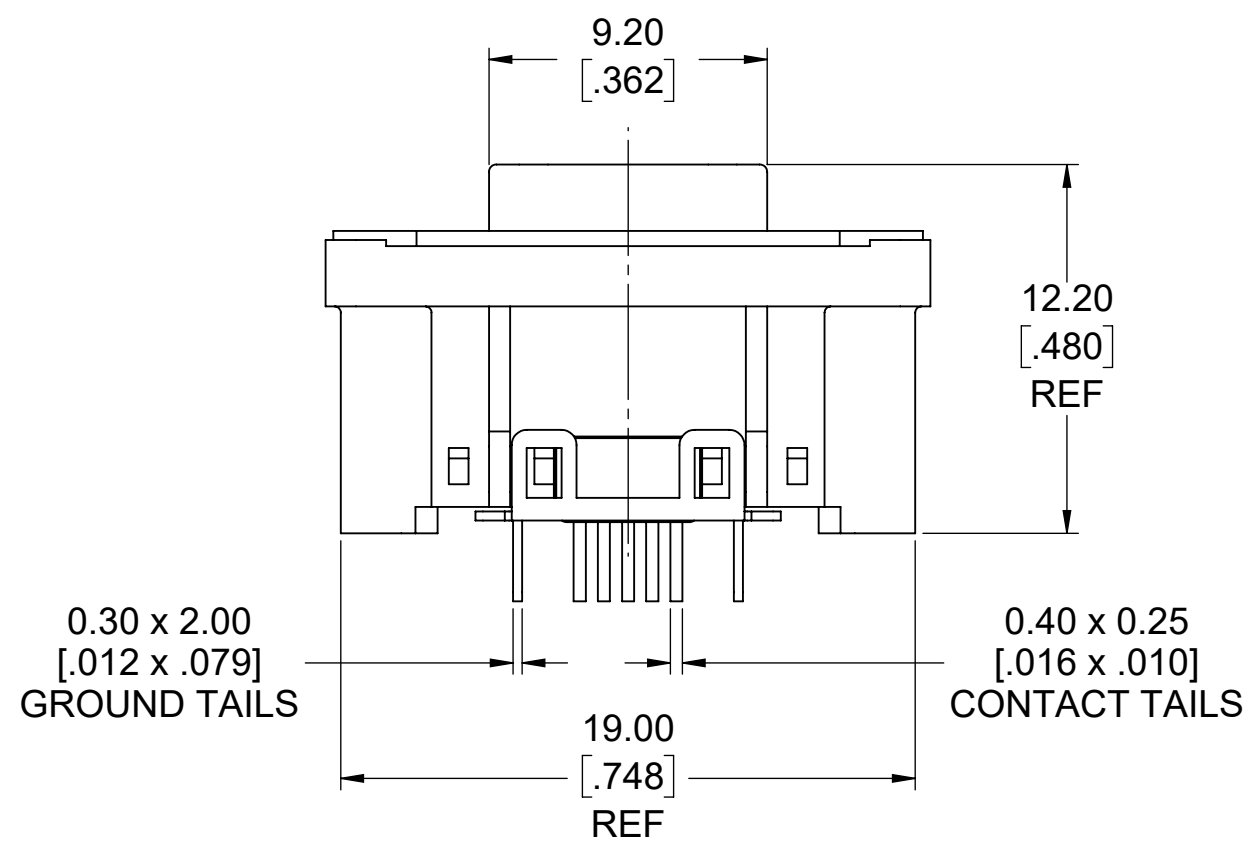
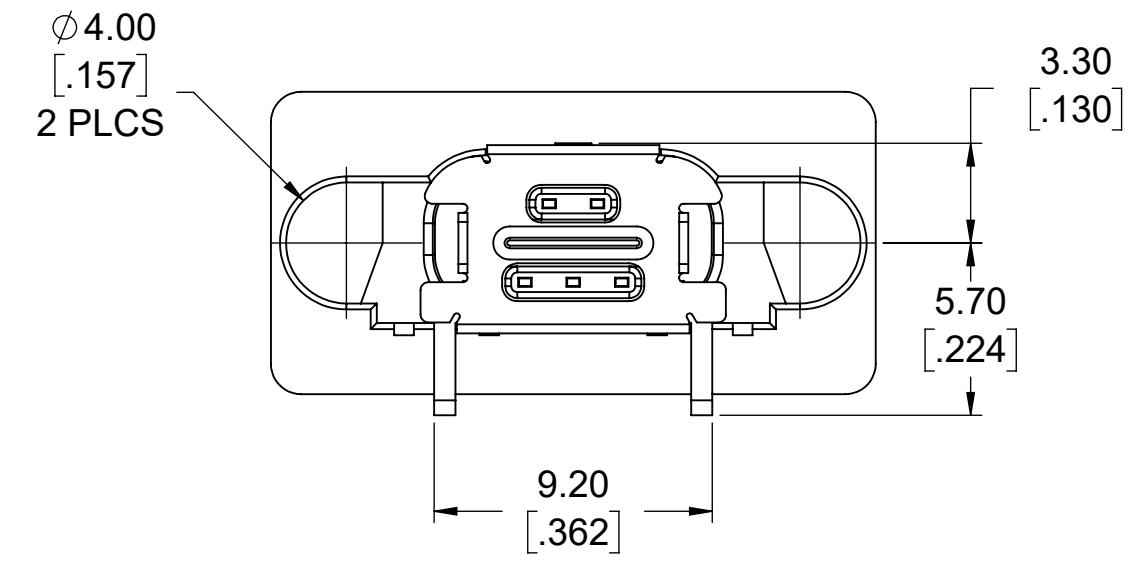
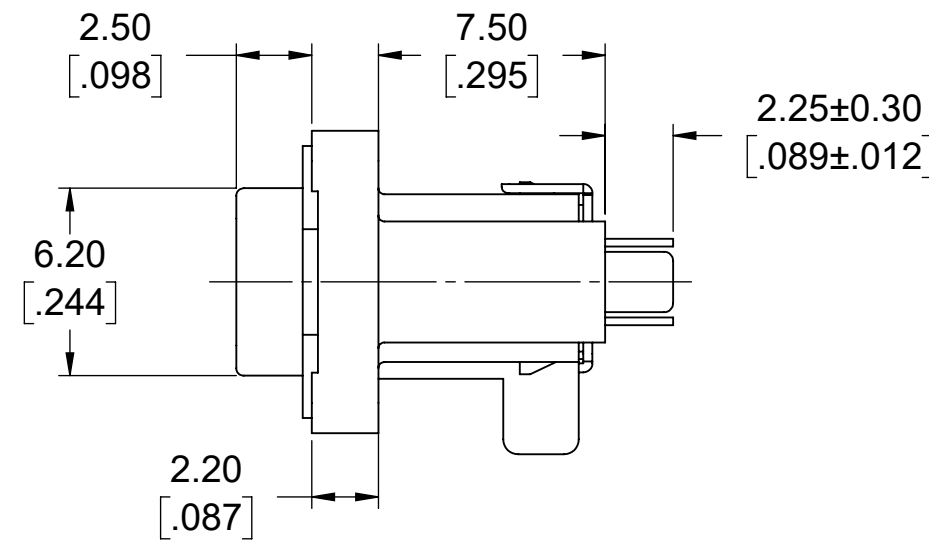
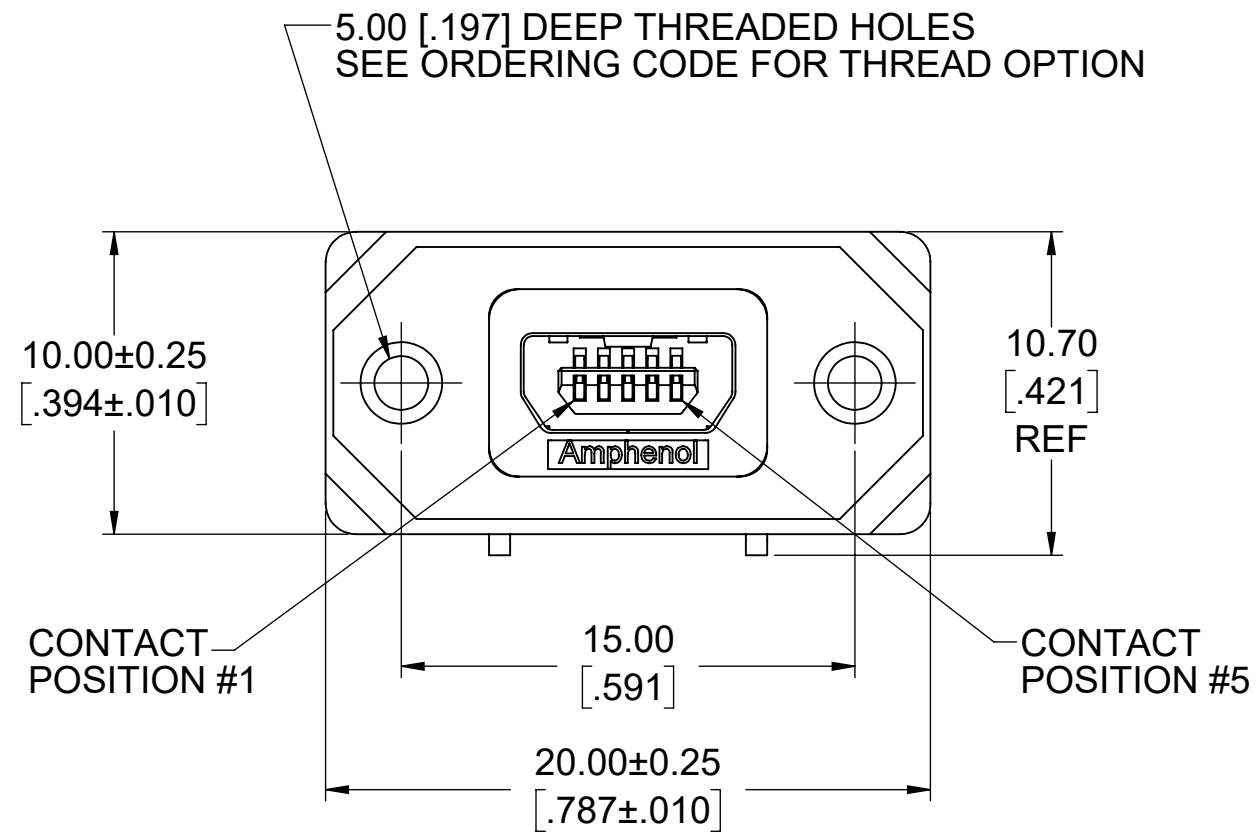
Amphenol Canada Corp.
Commercial Products

MUSBR SERIES RUGGED USB MINI-AB RECEPTACLE, VERTICAL PCB TAIL, FLANGE, THREAD & COVER OPTIONS, RoHS COMPLIANT

DWG. NO. **P-MUSBR-E551-XX** REV **B**

CODE ID NO. 03554 DWG SIZE: X SCALE: 3:1 SHEET 1 OF 3

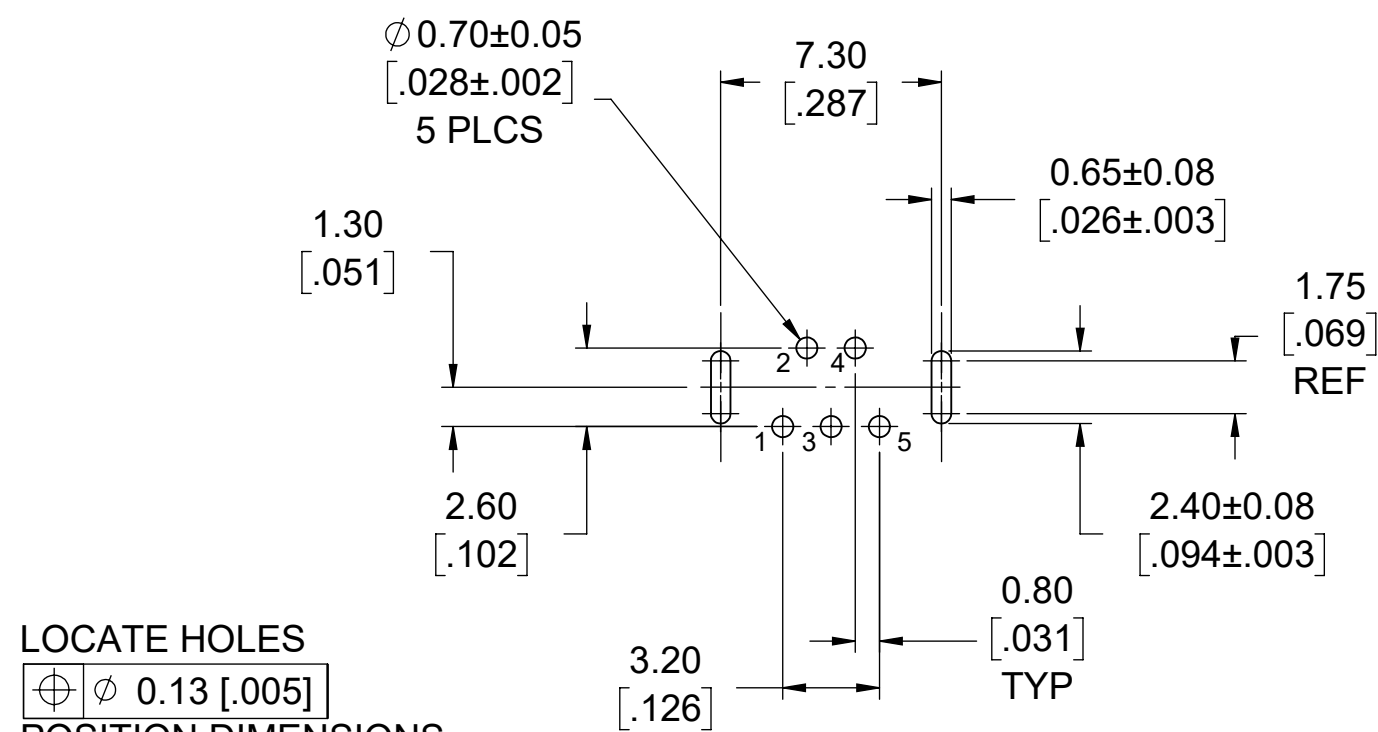
REVISIONS			
REV	DESCRIPTION, ECN, EAR NO.	DATE	APP'D
A	PROPOSAL DRAWING (EAR 14162)	SEP10/14	K.L.
B	PRODUCT DRAWING (EAR 14848)	AUG06/20	K.L.



RECOMMENDED PANEL CUTOUT
OUTSIDE VIEW OF PANEL

FRONT FLANGE POSITION SHOWN

**AMPHENOL CANADA PART NUMBERS: MUSBR-E551-3X
MUSBR-E551-MX
MUSBR-E551-UX**



LOCATE HOLES
⊕ Ø 0.13 [.005]
POSITION DIMENSIONS
ARE BASIC

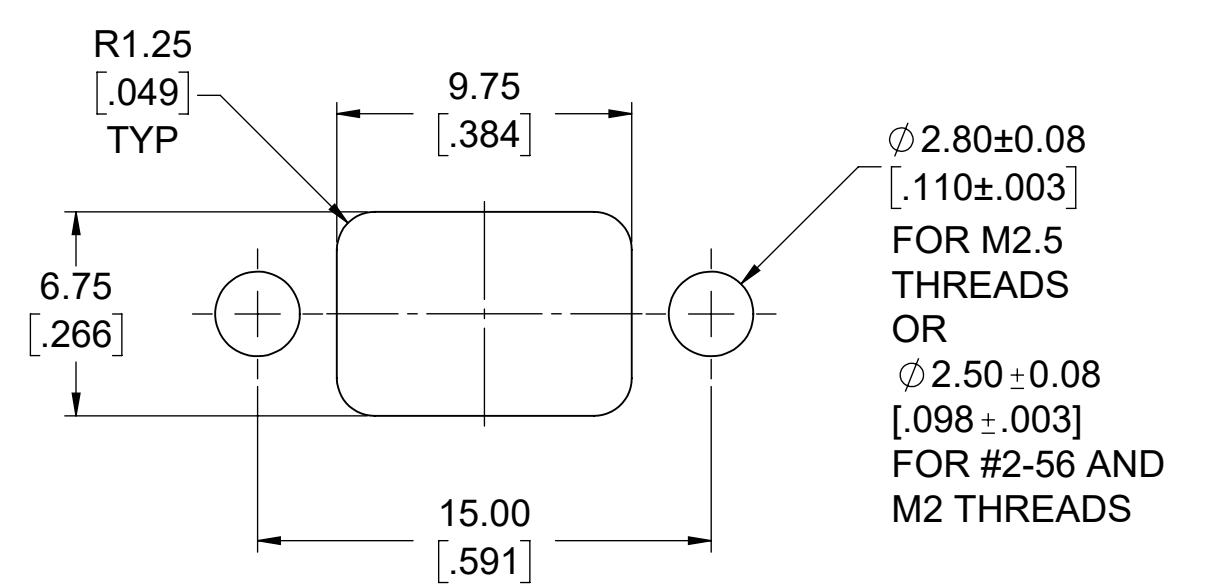
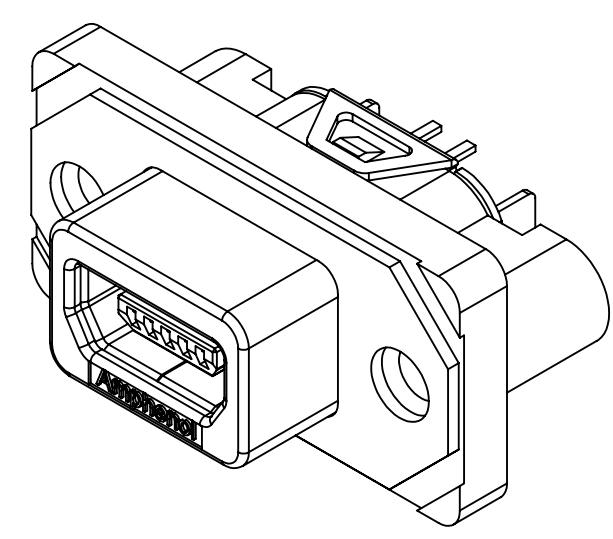
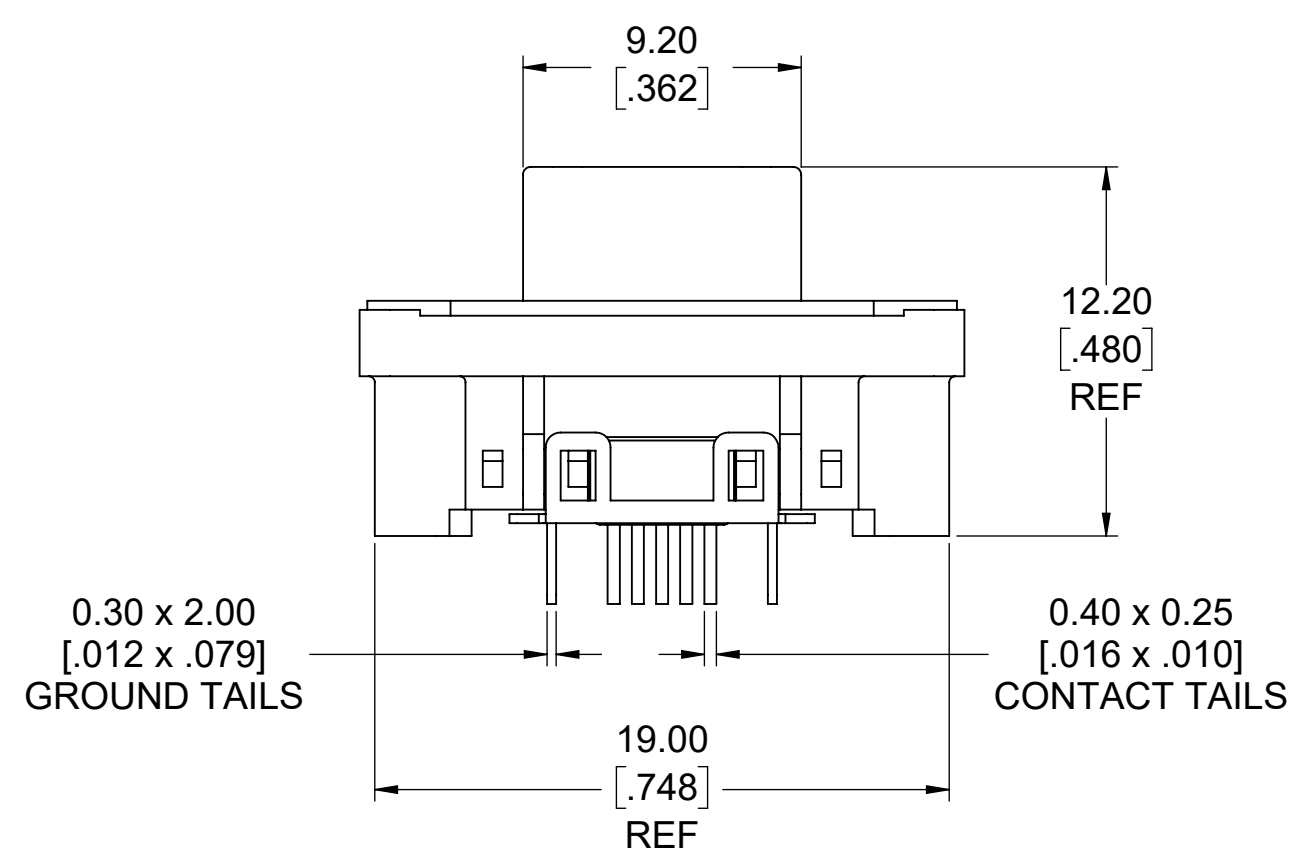
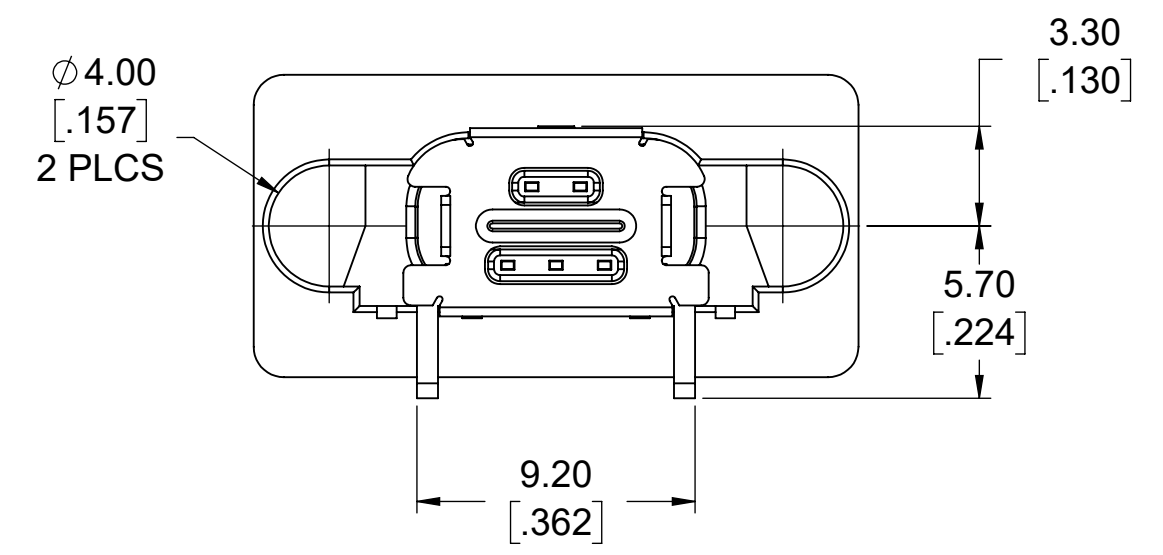
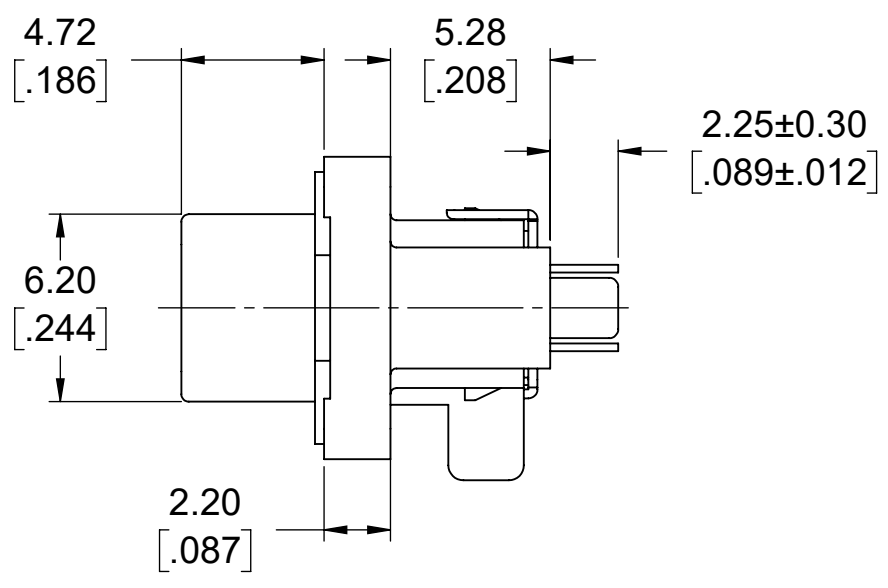
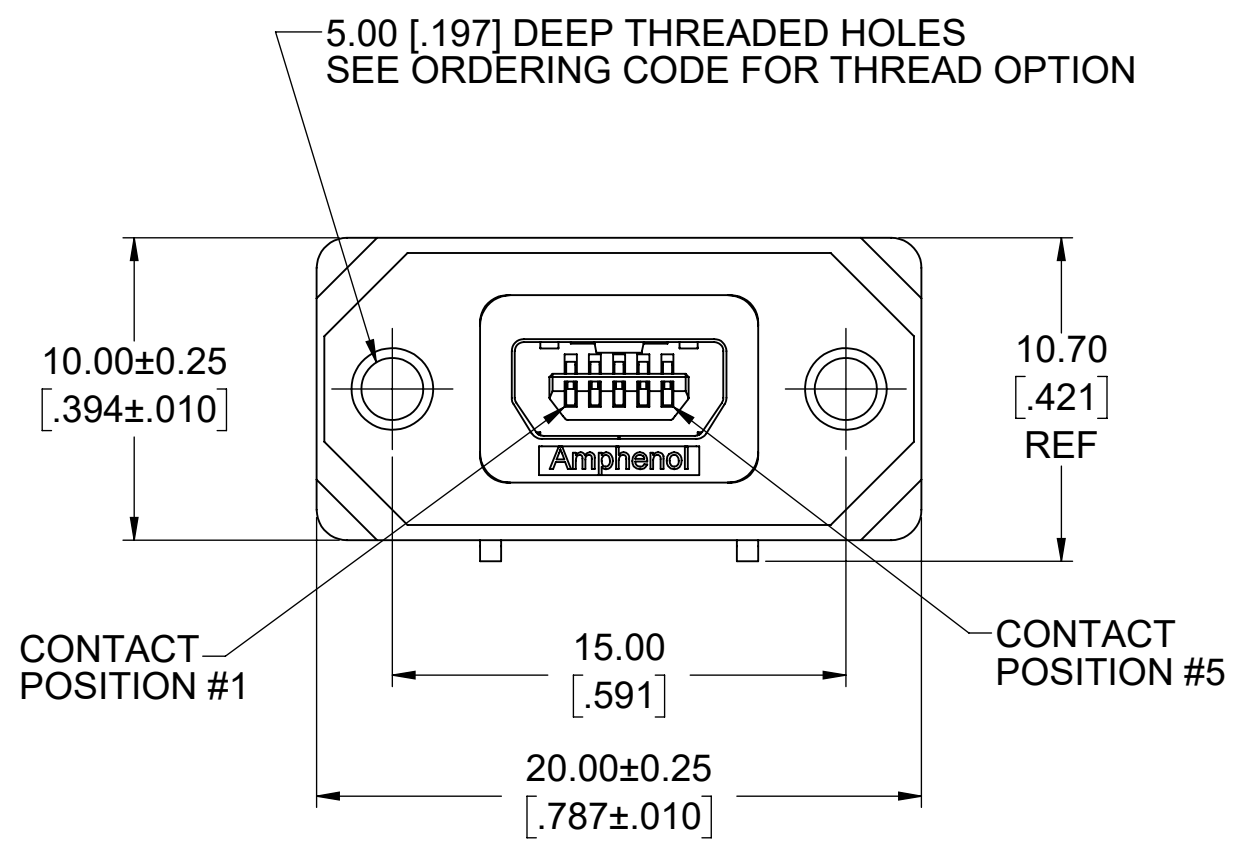
RECOMMENDED PCB LAYOUT
COMPONENT SIDE OF BOARD

UNLESS SPECIFIED OTHERWISE	DRAWN	B.COPPING	SEP10/14
PRIMARY UNITS MILLIMETERS	CHECKED	K.LAMBIE	SEP10/14
SECONDARY INCHES	M.E. APP'D		
REFERENCE IN PARENTHESES	Q.A. APP'D		
GENERAL TOLERANCES	DWG APPR.		
1 DECIMAL PLACE	ENG. REL. NO.	EAR 14162	
2 DECIMAL PLACES ±0.15	REF.		
3 DECIMAL PLACES			
ANGULAR DEGREES			

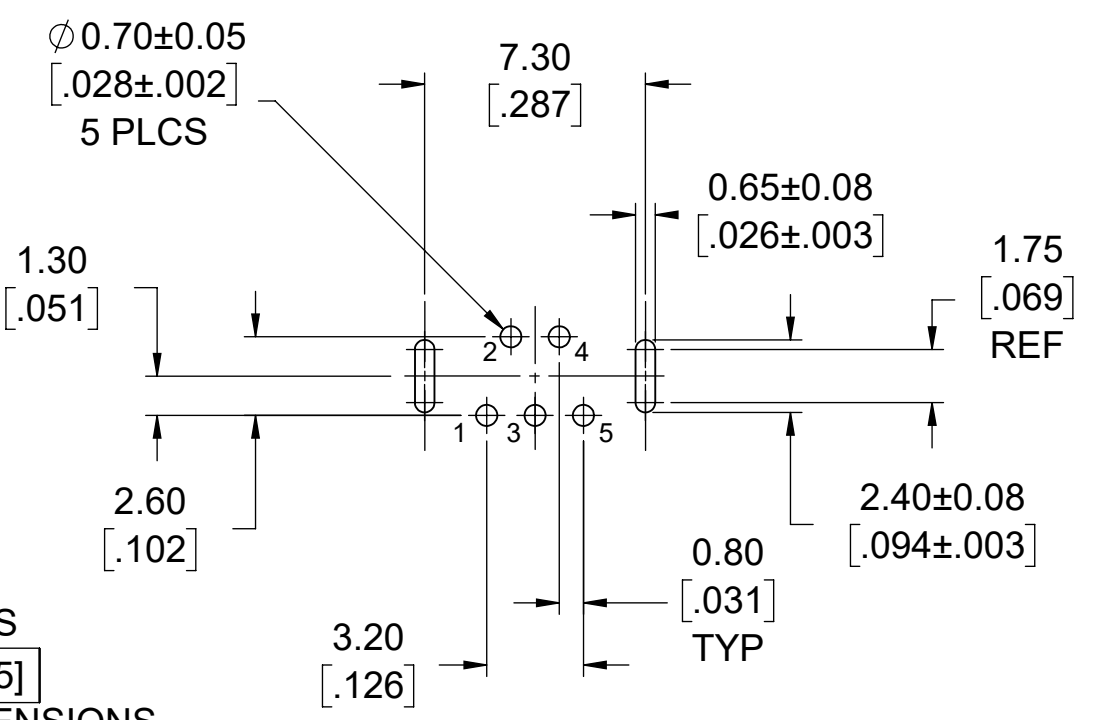
Amphenol Canada Corp.
Commercial Products
**MUSBR SERIES RUGGED USB MINI-AB
RECEPTACLE, VERTICAL PCB TAIL,
FLANGE, THREAD & COVER OPTIONS,
RoHS COMPLIANT**

DWG. NO.	REV
P-MUSBR-E551-XX	B
CODE ID NO. 03554	DWG SIZE: X
SCALE: 4:1	SHEET 2 OF 3

REVISIONS			
REV	DESCRIPTION, ECN, EAR NO.	DATE	APP'D
A	PROPOSAL DRAWING (EAR 14162)	SEP10/14	K.L.
B	PRODUCT DRAWING (EAR 14848)	AUG06/20	K.L.



RECOMMENDED PANEL CUTOUT
OUTSIDE VIEW OF PANEL



LOCATE HOLES
⊕ Ø 0.13 [.005]
POSITION DIMENSIONS
ARE BASIC

RECOMMENDED PCB LAYOUT
COMPONENT SIDE OF BOARD

REAR FLANGE POSITION SHOWN

**AMPHENOL CANADA PART NUMBERS: MUSBR-E551-5X
MUSBR-E551-TX
MUSBR-E551-VX**



THIS DOCUMENT CONTAINS PROPRIETARY INFORMATION AND SUCH INFORMATION MAY NOT BE DISCLOSED TO OTHERS FOR ANY PURPOSE OR USED FOR MANUFACTURING PURPOSES WITHOUT WRITTEN PERMISSION FROM AMPHENOL CANADA CORP.

UNLESS SPECIFIED OTHERWISE	DRAWN	B.COPPING	SEP10/14
PRIMARY UNITS MILLIMETERS	CHECKED	K.LAMBIE	SEP10/14
SECONDARY INCHES	M.E. APP'D		
REFERENCE IN PARENTHESES	Q.A. APP'D		
GENERAL TOLERANCES	DWG APPR.		
1 DECIMAL PLACE	ENG. REL. NO.	EAR 14162	
2 DECIMAL PLACES ±0.15	REF.		
3 DECIMAL PLACES			
ANGULAR DEGREES	THIRD ANGLE PROJECTION	DO NOT SCALE DRAWING	

Amphenol Canada Corp.
Commercial Products

MUSBR SERIES RUGGED USB MINI-AB RECEPTACLE, VERTICAL PCB TAIL, FLANGE, THREAD & COVER OPTIONS, RoHS COMPLIANT

DWG. NO. **P-MUSBR-E551-XX** REV **B**

CODE ID NO. 03554 DWG SIZE: X SCALE: 4:1 SHEET 3 OF 3