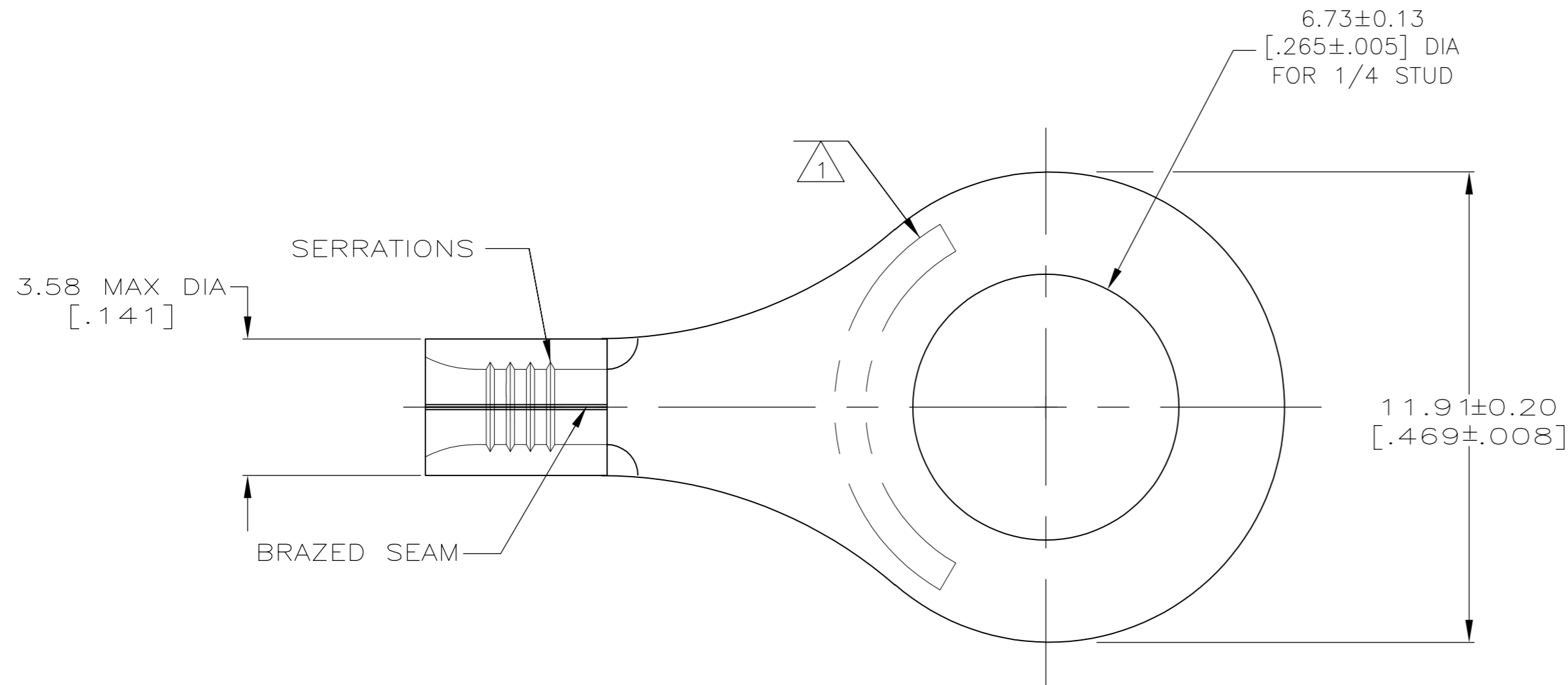


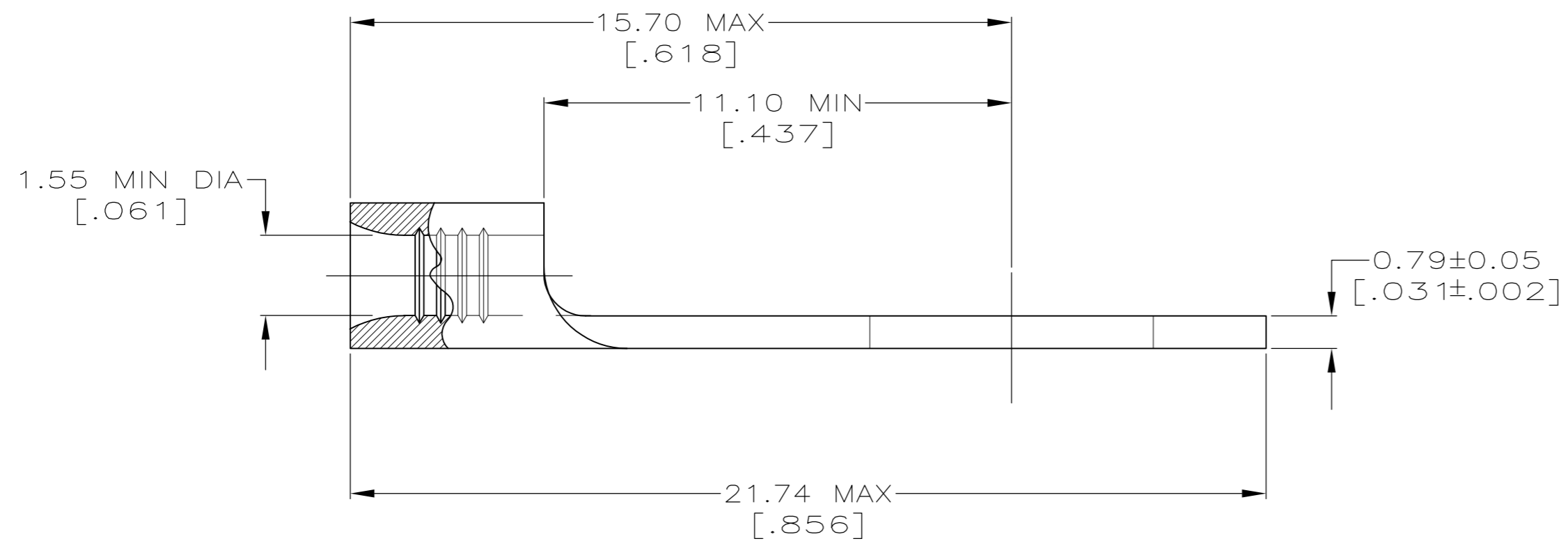
THIS DRAWING IS UNPUBLISHED. RELEASED FOR PUBLICATION  
 © COPYRIGHT - By - ALL RIGHTS RESERVED.

LOC		DIST		REVISIONS			
P	LTR	DESCRIPTION		DATE	DWN	APVD	
G	14	E5		REVISED PER ECO-11-004587	11MAR11	RK HMR	



<b>AMP</b> WIRE RANGE	Listed FILE E13288	LR7189 Certified
22-16 AWG SOLID OR STRANDED	22-16 AWG SOLID OR STRANDED	22-16 AWG SOLID OR STRANDED

- 1 STAMP AMP 22-18\* APPROX AS SHOWN  
22-16 TERMINALS ARE STAMPED 22-18 IN  
ACCORDANCE WITH MILITARY SPEC MIL-T-7928  
COMMERCIAL WIRE RANGE IS 22-16
- 2 TIN PLATE 0.00254[.000100] MIN THK  
ASTM B-545
- 3 CLEANED, UNPLATED
- 4 NICKEL PLATED 0.00762 [.000300] MIN THK PER  
QQ-N-290.



100	170°C MAX	LOOSE PIECE, BOX	2	8-34113-1
5000	170°C MAX	ON TAPE	2	2-34113-2
-	343°C MAX	LOOSE PIECE	4	34113-4
-	170°C MAX	LOOSE PIECE	3	34113-3
-	170°C MAX	LOOSE PIECE	2	34113
QTY	MAX TEMP.	PACKAGE TYPE	FINISH	PART NUMBER

<b>AMP INCORPORATED CUSTOMER SERVICE SYSTEMS</b>		MAX RECOMMENDED OPERATING TEMPERATURE: SEE TABLE	THIS DRAWING IS A CONTROLLED DOCUMENT.		DWN TA BRINKMAN 3-10-93	TE Connectivity			
FOR ADDITIONAL PRODUCT INFORMATION OR COPIES OF DRAWINGS AND TECHNICAL DOCUMENTS	PRODUCT INFORMATION CENTER 1-800-522-6752	VOLTAGE RATING: N/A	DIMENSIONS: mm [INCHES]	TOLERANCES UNLESS OTHERWISE SPECIFIED:	CHK DA PATTERSON 3-10-93				NAME TERMINAL, RING TONGUE, SOLISTRAND
FOR APPLICATION	TOOLING ASSISTANCE CENTER 1-800-722-1111	CIRCULAR MIL AREA: 0.26-1.65mm² [509-3260] CIR MILS SOLID OR STRANDED		0 PLC ± - 1 PLC ± - 2 PLC ± 0.20 [.008] 3 PLC ± - 4 PLC ± - ANGLES ± -	APVD DE MILLER 3-10-93	SIZE A2	CAGE CODE 00779	DRAWING NO C-34113	RESTRICTED TO
TOOLING INFORMATION	1-800-722-1111		MATERIAL COPPER PER ASTM B152 ANNEALED	FINISH SEE TABLE	PRODUCT SPEC -	WEIGHT -	SCALE 8:1	SHEET 1 OF 1	REV E5
FOR ORDER ENTRY	1-800-526-5142	THIS DRAWING IS A CONTROLLED DOCUMENT FOR AMP INCORPORATED. IT IS SUBJECT TO CHANGE AND THE CONTROLLING ENGINEERING ORGANIZATION SHOULD BE CONTACTED FOR THE LATEST REVISION.			APPLICATION SPEC -	CUSTOMER DRAWING			