

XS9C4A2A1P20

Inductive proximity sensors XS, inductive sensor XS9 40x40x117, PBT, Sn25 mm, 24 VDC, terminals



Main

| | |
|------------------------------------|---|
| Range of Product | Telemecanique Inductive proximity sensors XS |
| Series name | General purpose |
| Sensor Type | Inductive proximity sensor |
| Device Application | - |
| Sensor name | XS9 |
| Sensor design | Form 40 x 40 x 117 |
| Size | 117 mm |
| Body type | Fixed |
| Detector flush mounting acceptance | Non flush mountable |
| Material | Plastic |
| Enclosure Material | PBT |
| Type of output signal | Analogue |
| Wiring Technique | 3-wire |
| [Sn] nominal sensing distance | 0.98 in (25 mm) |
| Output circuit type | DC |
| Analogue output range | 0...10 V |
| Electrical connection | Screw-clamp terminals, 4 x 1.5 mm ² |
| [Us] rated supply voltage | 24 V DC reverse polarity protection |
| IP degree of protection | IP67 conforming to IEC 60529 IP65 conforming to IEC 60529 IP69K conforming to DIN 40050 |

Complementary

| | |
|------------------------------|--------------------------------------|
| Detection face | 5 positions turret head |
| Front material | PBT |
| Operating zone | 0.08...1.06 in (2...27 mm) |
| Linearity error | <= 3% of Sr |
| Maximum output current drift | 5 % |
| Cable entry number | 1 tapped entry M20 x 1.5 cable gland |
| Status LED | Output state 1 LED yellow) |
| Supply voltage limits | 15...36 V DC |
| Current consumption | 0...4 mA no-load |
| Maximum delay first up | 7.5 ms |
| Maximum delay response | 6 ms |
| Maximum delay recovery | 6 ms |
| Marking | CE |
| Height | 1.57 in (40 mm) |
| Length | 1.57 in (40 mm) |
| Width | 4.61 in (117 mm) |
| Net Weight | 0.54 lb(US) (0.244 kg) |

The information provided in this documentation contains general descriptions and/or technical characteristics of the performance of the products contained herein. This documentation is not intended as a substitute for and is not to be used for determining suitability or reliability of these products for specific user applications. It is the duty of any such user or integrator to perform the appropriate and complete risk analysis, evaluation and testing of the products with respect to the relevant specific application or use thereof. Neither Schneider Electric Industries SAS nor any of its affiliates or subsidiaries shall be responsible or liable for misuse of the information contained herein.

Environment

| | |
|---------------------------------------|---|
| Product Certifications | CSA UL |
| Ambient Air Temperature for Operation | -13...158 °F (-25...70 °C) |
| Ambient Air Temperature for Storage | -40...185 °F (-40...85 °C) |
| Vibration resistance | 25 gn +/- 2 mm 10...55 Hz)IEC 60068-2-6 |
| Shock resistance | 50 gn 11 msEN 60068-2-27 |

Ordering and shipping details

| | |
|-----------------------|--------------------------|
| Category | 22486-SENSORS, PROXIMITY |
| Discount Schedule | DS2 |
| GTIN | 3389119058452 |
| Nbr. of units in pkg. | 1 |
| Package weight(Lbs) | 8.61 oz (244.0 g) |
| Returnability | No |
| Country of origin | FR |

Packing Units

| | |
|------------------------|-------------------|
| Unit Type of Package 1 | PCE |
| Package 1 Height | 5.71 in (14.5 cm) |
| Package 1 width | 1.97 in (5 cm) |
| Package 1 Length | 1.97 in (5 cm) |

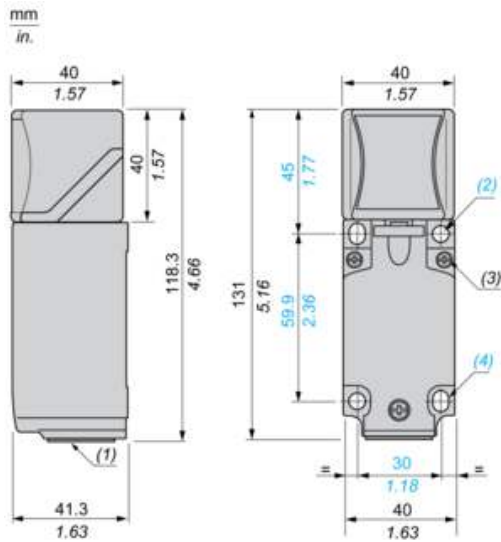
Offer Sustainability

| | |
|----------------------------|---|
| Sustainable offer status | Green Premium product |
| California proposition 65 | WARNING: This product can expose you to chemicals including: Diisononyl phthalate (DINP), which is known to the State of California to cause cancer, and Di-isodecyl phthalate (DIDP), which is known to the State of California to cause birth defects or other reproductive harm. For more information go to www.P65Warnings.ca.gov |
| REACH Regulation | REACH Declaration |
| EU RoHS Directive | Pro-active compliance (Product out of EU RoHS legal scope) EU RoHS Declaration |
| Mercury free | Yes |
| RoHS exemption information | Yes |
| Environmental Disclosure | Product Environmental Profile |

Contractual warranty

| | |
|----------|-----------|
| Warranty | 18 months |
|----------|-----------|

Dimensions



(1) : M20 x 1.5 cable gland.

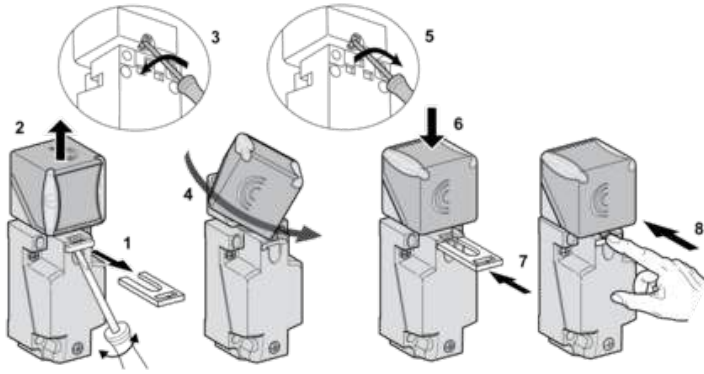
(2) : 2 holes \varnothing 5,45 mm / \varnothing 0.21 in. Tightening torque: < 1,5 Nm / < 13.3 lb-in.

(3) : 3 screws M3,5. Tightening torque: < 1,2 Nm / < 10.6 lb-in.

(4) : 2 elongated holes 5,4 x 7,4 mm / 0.21 x 0.29 in. Tightening torque: < 1,5 Nm / < 13.3 lb-in".

Mounting

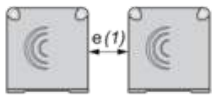
Head Positions



Setting-up Precautions

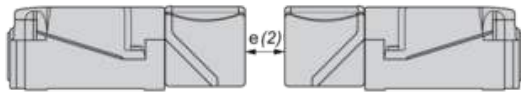
Minimum Mounting Distances (mm)

Side by Side



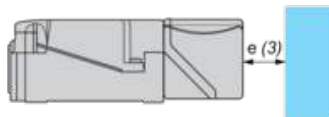
$e (1) \geq 120$

Face to Face



$e (2) \geq 240$

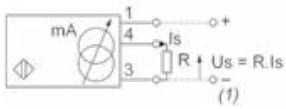
Facing a Metal Object



$e (3) \geq 90$

Wiring Schemes

3-Wire

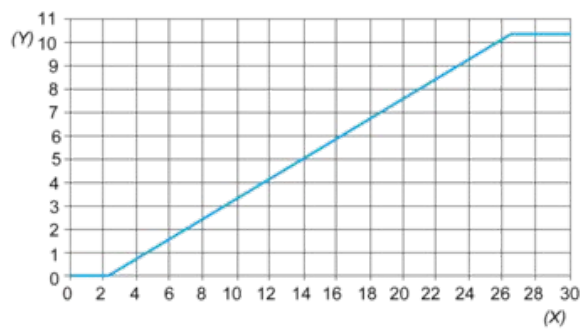


(1) Output voltage

Ensure a minimum of 5 V between the + and the sensor output (terminal 4)

| | Output current | Load impedance value | Output voltage | Load impedance value |
|------|----------------|----------------------|----------------|----------------------|
| 12 V | 0...10 mA | $R \leq 630 \Omega$ | - | - |
| 24 V | 0...10 mA | $R \leq 1500 \Omega$ | 0...10 V | $R = 1000 \Omega$ |

Analogue Outputs



(Y) Output current (V)

(X) Sensing distance (mm)