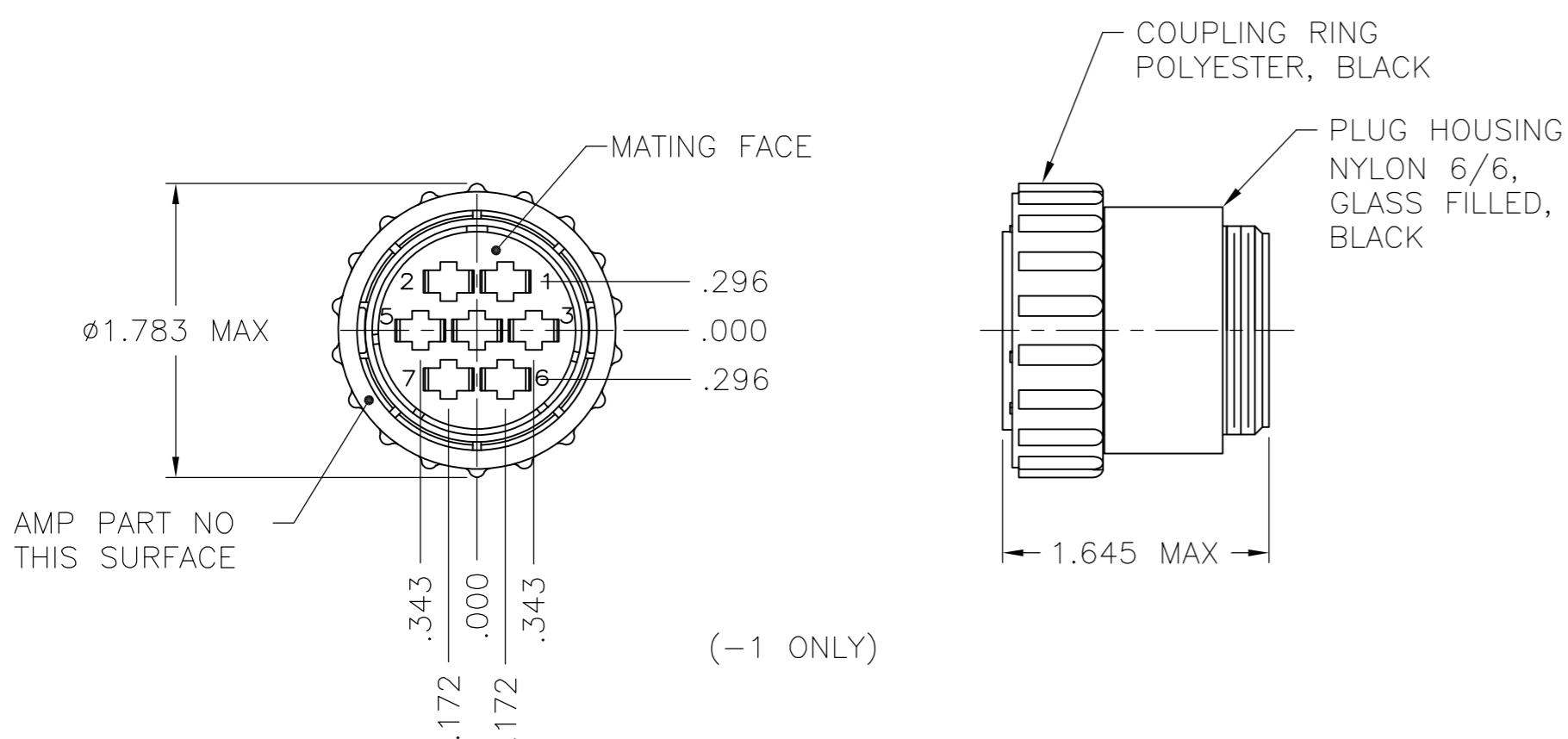
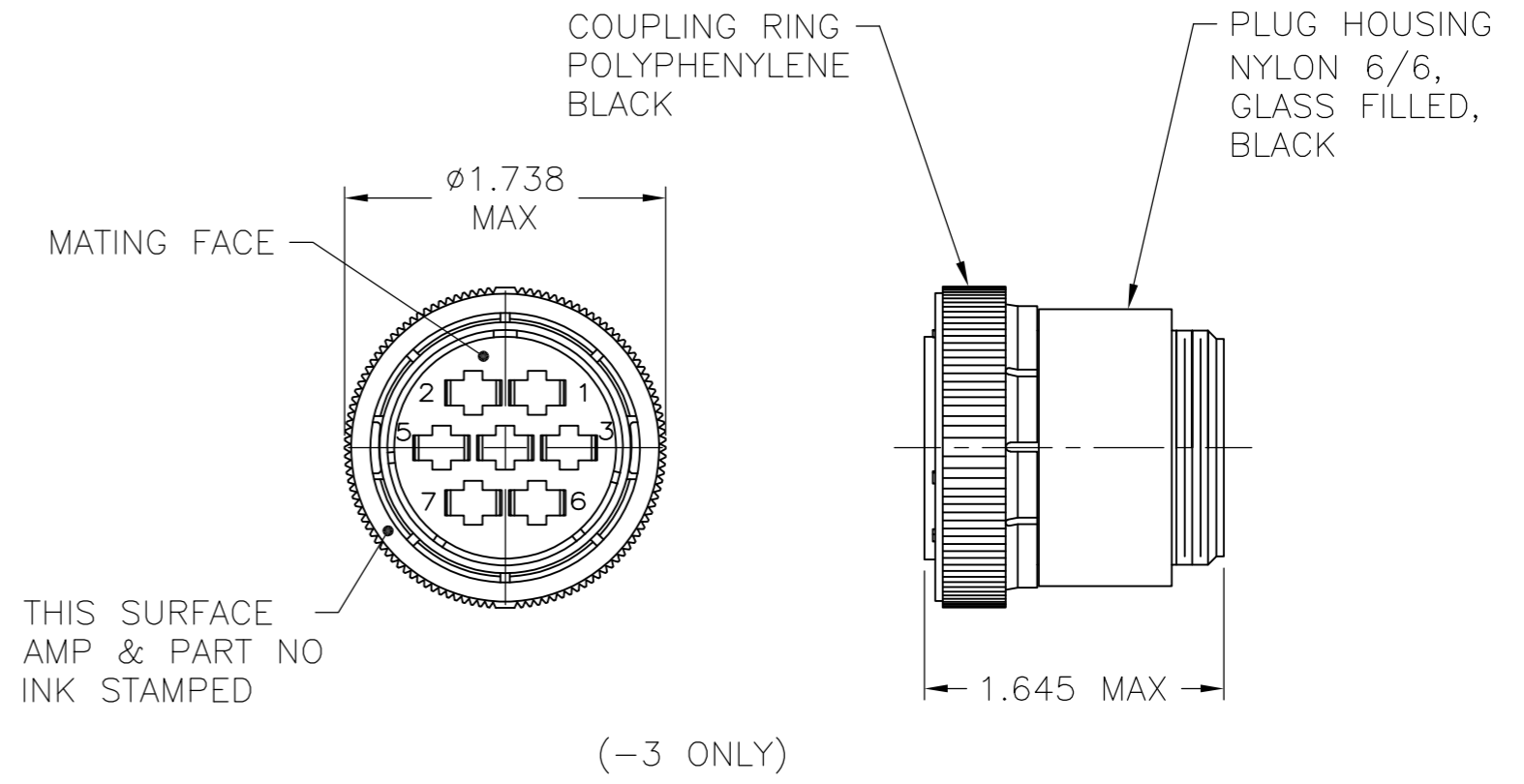


THIS DRAWING IS UNPUBLISHED. RELEASED FOR PUBLICATION
 © COPYRIGHT - By - ALL RIGHTS RESERVED.

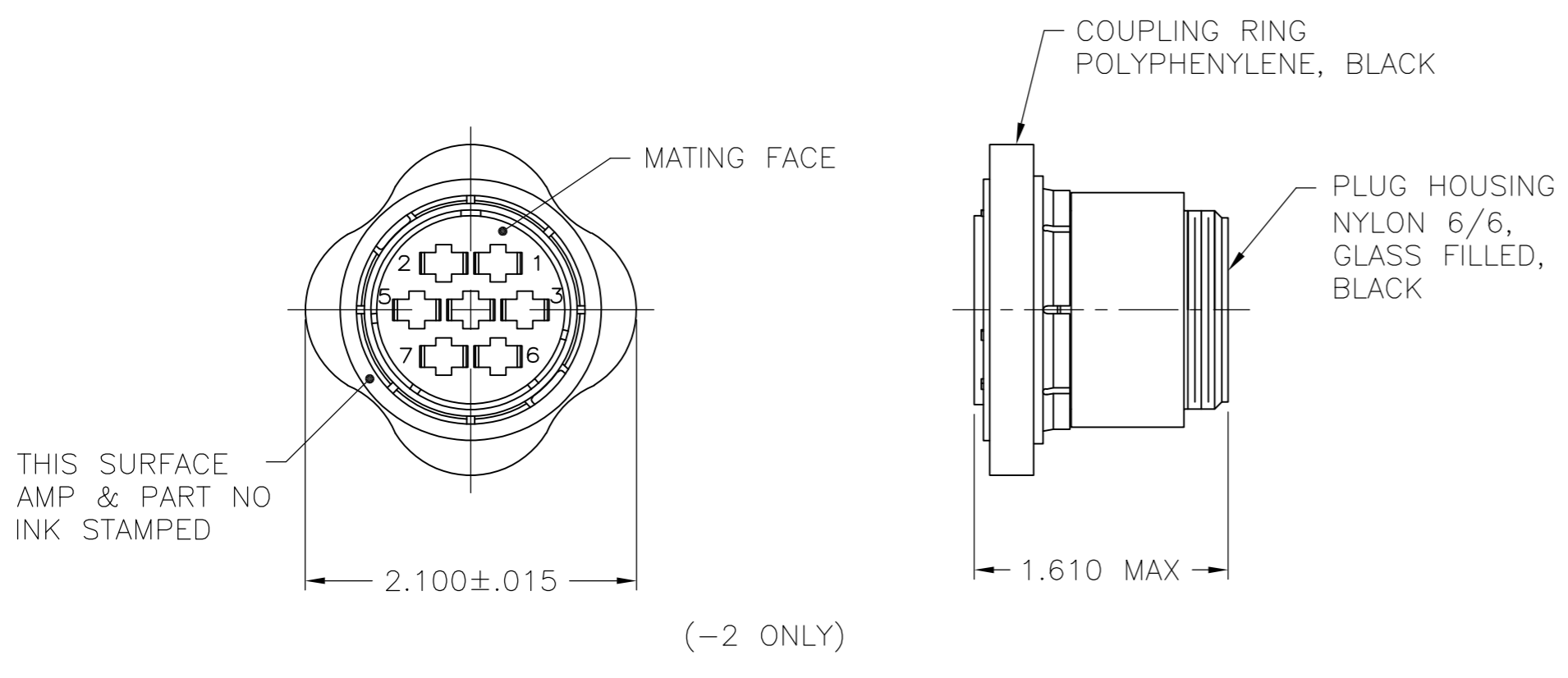
LOC		DIST		REVISIONS			
P	LTR	DESCRIPTION	DATE	DWN	APVD		
	J2	REVISED PER ECO-15-016153	10FEB2016	NK	MZ		



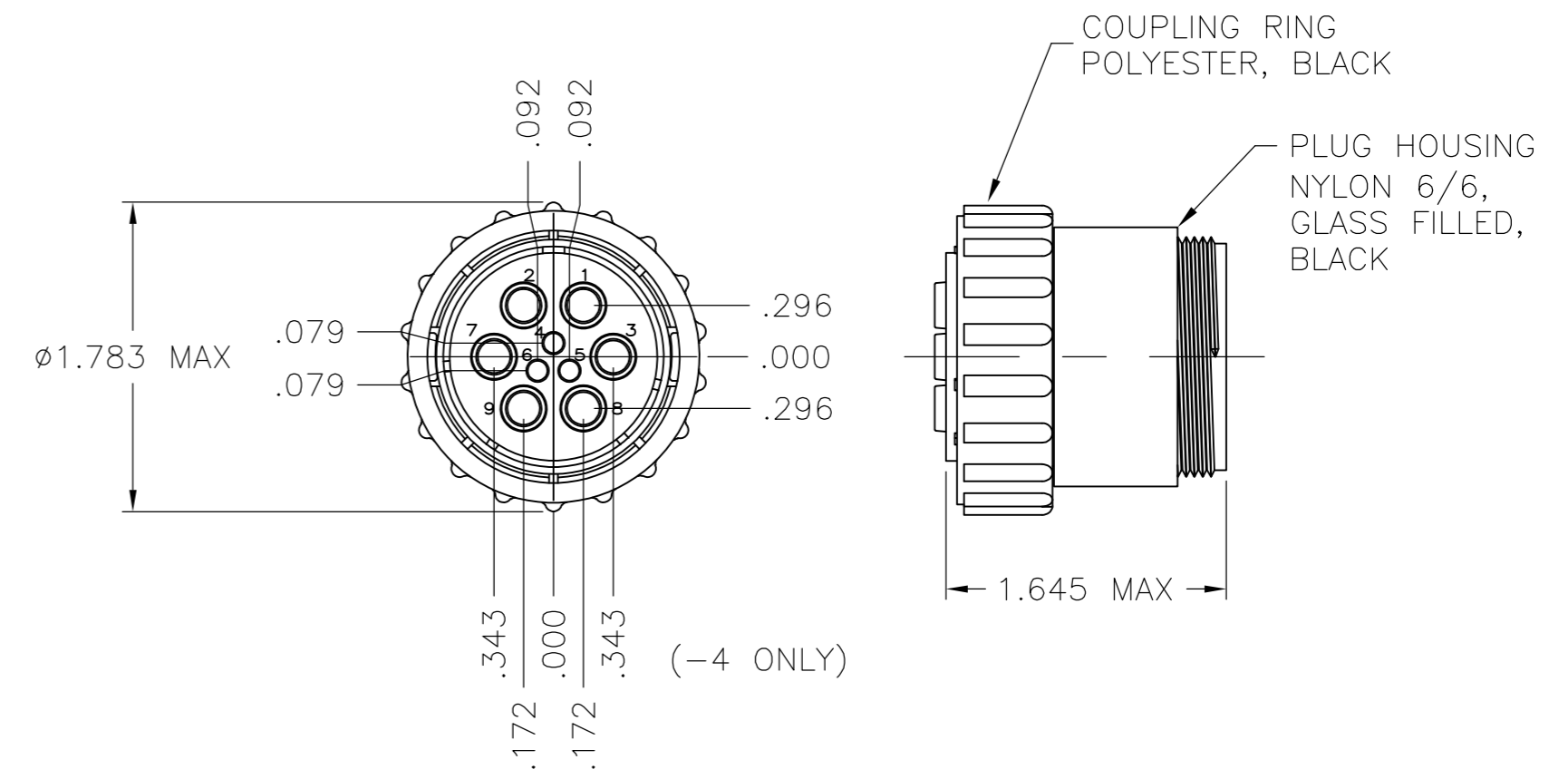
(-1 ONLY)



(-3 ONLY)



(-2 ONLY)



(-4 ONLY)

- 1 CONTACT CAVITIES IDENTIFIED BY CHARACTERS ON FRONT AND REAR FACE OF CONNECTOR.
- △ -1, -2 AND -3 CONNECTORS WILL ACCEPT SEVEN (7) TYPE XII SOCKET CONTACTS.
- △ -4 CONNECTOR WILL ACCEPT SIX (6) POWER BAND SOCKET CONTACTS AND THREE (3) TYPE III+ SIGNAL SOCKET CONTACTS.

△3	OBSOLETE	206136-4
△2		206136-3
△2	OBSOLETE	206136-2
△2		206136-1
		PART NUMBER

THIS DRAWING IS A CONTROLLED DOCUMENT.		DWN	S.RIDGLEY BG	7/30/90	STE TE Connectivity																					
		CHK	R.STONE	04/26/91																						
DIMENSIONS: INCHES		TOLERANCES UNLESS OTHERWISE SPECIFIED:		NAME																						
<table border="0"> <tr><td>0 PLC</td><td>±</td><td>-</td></tr> <tr><td>1 PLC</td><td>±</td><td>-</td></tr> <tr><td>2 PLC</td><td>±</td><td>.02</td></tr> <tr><td>3 PLC</td><td>±</td><td>.010</td></tr> <tr><td>4 PLC</td><td>±</td><td>-</td></tr> <tr><td>ANGLES</td><td>±</td><td>-</td></tr> <tr><td>FINISH</td><td>-</td><td>-</td></tr> </table>		0 PLC	±	-	1 PLC	±	-	2 PLC	±	.02	3 PLC	±	.010	4 PLC	±	-	ANGLES	±	-	FINISH	-	-	PRODUCT SPEC		108-10024	
0 PLC	±	-																								
1 PLC	±	-																								
2 PLC	±	.02																								
3 PLC	±	.010																								
4 PLC	±	-																								
ANGLES	±	-																								
FINISH	-	-																								
MATERIAL SEE CALLOUT		WEIGHT		SIZE CAGE CODE DRAWING NO RESTRICTED TO																						
		CUSTOMER DRAWING		A2 00779 C=206136																						
		SCALE		SHEET 1 of 1 REV J2																						