

**Ratings**

Voltage: 300 V  
 Temperature: 80 °C  
 Flammability: VW-1

**Conductor**

Conductor count: 3  
 Gauge: 28 AWG, 0.089 mm<sup>2</sup>  
 Material: bare copper strands  
 Strand size: Ø 0.127 mm x 7

**Insulator**

Material: SR-PVC  
 Color: red, white, green  
 Diameter: 0.85 ±0.1 mm  
 Nominal thickness: 0.24 mm

**Shield**

Type: spiral & shield  
 Material: bare copper strands & aluminum mylar  
 Stranding: Ø0.127 x 50  
 Coverage: 100% minimum

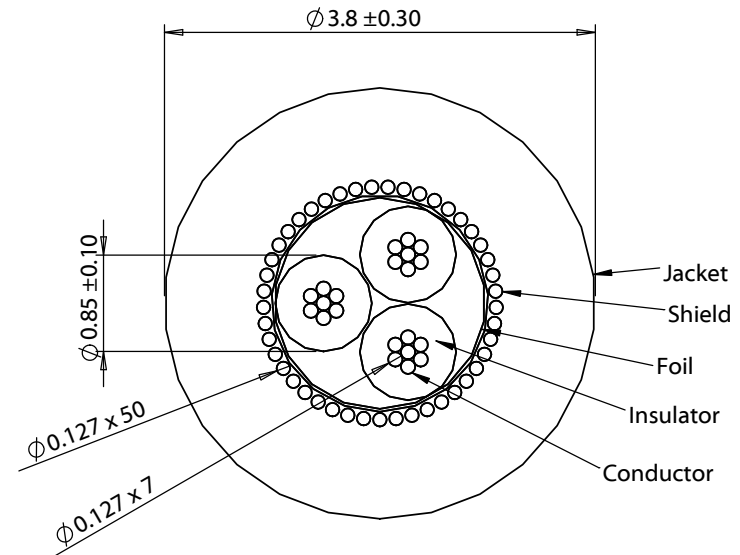
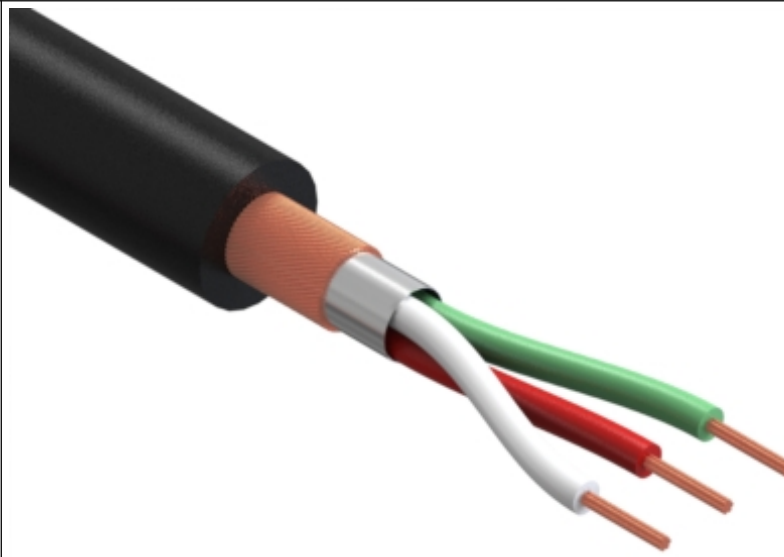
**Outer jacket**

Material: PVC  
 Color: black  
 Diameter: 3.8 ±0.3 mm  
 Nominal thickness: 0.83 mm

**Tests**

Spark test: 3.0 kV  
 Max resistance at 20 °C: 240 ohm/km  
 Insulation tensile strength: 2.11 kgf/mm<sup>2</sup>  
 Jacket tensile strength: 1.05 kgf/mm<sup>2</sup>  
 After aging at 113 ±2 °C for 7 days:  
 Minimum tensile strength 70 % original  
 Minimum elongation 65 % original  
 Heat shock: 121 ±1 °C /1 hour, no observed degradation  
 Deformation: 121 ±1 °C /1 hour, ≤ 50 %  
 Cold bend: -10 ±1 °C /1 hour, no observed cracking  
 Dielectric test: 2000 Vac for 1 minute without breakdown

**Use:** Internal wiring or external interconnection of electronic equipment.



Revision:	Date:	Description:	Prepared: GL 2016.09.06 13:54:55 -07'00'	Notes:	<h1>TENSILITY</h1> <p>tel 1.541.323.3228 800 877.670.7118          fax 1.541.323.4202 web tensility.com</p>
A	3/28/2012	initial release	Verified: AG 2016.09.06 15:17:06 -07'00'	RoHS and REACH compliant	
A1	2/25/2015	updated spec format	Dimensions are in millimeters. Tolerances: X: ± 0.5 mm X.X: ± 0.3 mm X.XX: ± 0.05 mm	Function test: no open, no short circuit, no intermittent	
A2	10/19/2015	updated tolerances		Description: Wire, 3C BC, 28 AWG, 300V, 80C, 3.8 mm, foil + shield, PVC	
A3	8/10/2016	corrected jacket color			
A4	8/22/2016	modified insulator material		Scale: 1:1        Sheet 1 of 1	