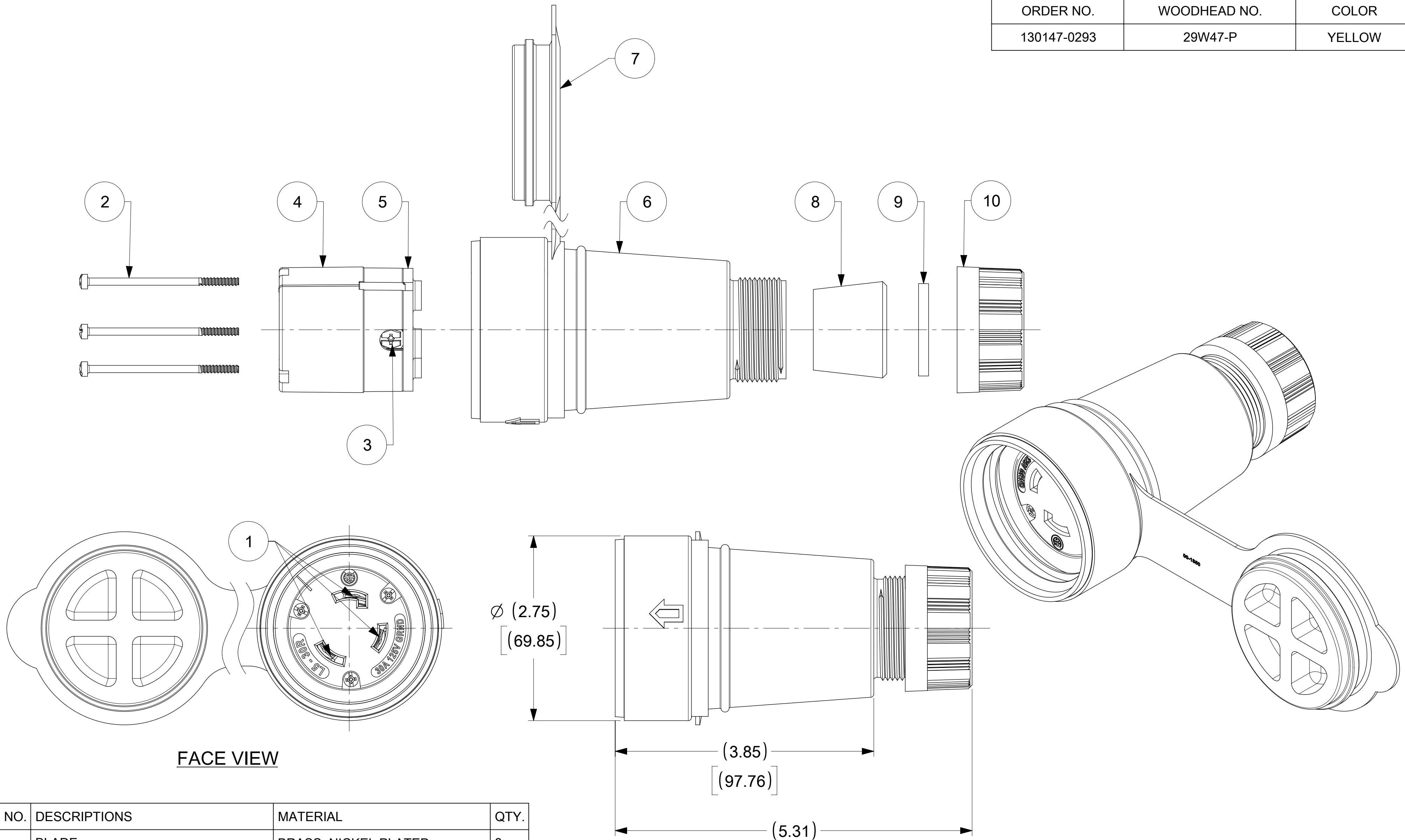


ORDER NO.	WOODHEAD NO.	COLOR
130147-0293	29W47-P	YELLOW



FACE VIEW

ITEM NO.	DESCRIPTIONS	MATERIAL	QTY.
1	BLADE	BRASS, NICKEL PLATED	3
2	RETAINING SCREWS	STAINLESS STEEL	3
3	CLAMP AND TERMINAL SCREW ASSY	BRASS, ZINC PLATED	3
4	INSERT	NYLON	1
5	TERMINAL COVER	POLYCARBONATE	1
6	HOUSING	SILICON WITH NYLON THREAD	1
7	COVER CLOSURE	SILICON WITH NYLON THREAD	1
8	GROMMET	RUBBER	4
9	FRICTION RING	NYLON	1
10	COMPRESSION NUT	NYLON	1

SYMBOLS		THIS DRAWING CONTAINS INFORMATION THAT IS PROPRIETARY TO MOLEX ELECTRONIC TECHNOLOGIES, LLC AND SHOULD NOT BE USED WITHOUT WRITTEN PERMISSION		CURRENT REV DESC: RELEASED	
▽ = 0	INCH[MM]	SCALE	NTS	EC NO: 614382	
▽ = 0	GENERAL TOLERANCES (UNLESS SPECIFIED)		DRWN: DSOPPIN		2018/12/27
▽ = 0		MM	INCH	CHK'D: DNGUYEN62	2019/04/17
▽ = 0	4 PLACES	±	±	APPR: HKNEELAND	2019/04/17
▽ = 0	3 PLACES	±	±	INITIAL REVISION:	
▽ = 0	2 PLACES	±	±	DRWN: DSOPPIN	2018/12/27
▽ = 0	1 PLACE	±	±	APPR: HKNEELAND	2019/04/17
▽ = 0	0 PLACES	±	±	THIRD ANGLE PROJECTION	
▽ = 0	ANGULAR TOL	±	°	DRAWING	SERIES
▽ = 0	DRAFT WHERE APPLICABLE MUST REMAIN WITHIN DIMENSIONS		THIRD ANGLE PROJECTION	C-SIZE	130147



WATERTITE CONNECTOR 2P3W L5-30

PRODUCT CUSTOMER DRAWING

DOCUMENT NUMBER	DOC TYPE	DOC PART	REVISION
1301470293	PSD	000	A
MATERIAL NUMBER	CUSTOMER	SHEET NUMBER	
SEE TABLE	GENERAL MARKET	1 OF 1	