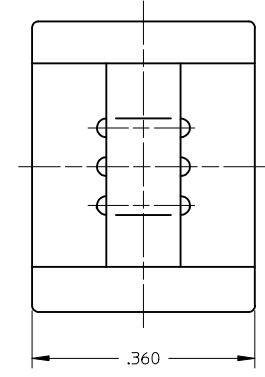
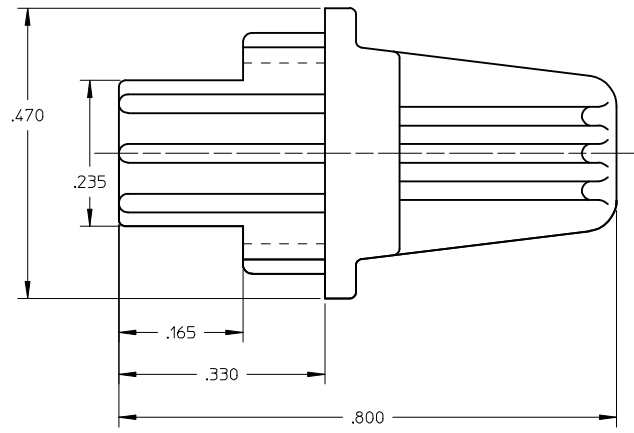
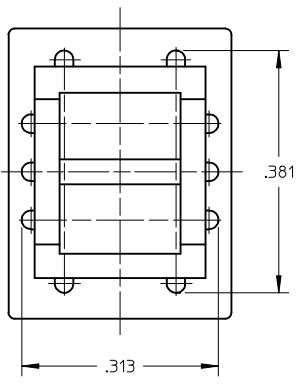


10	P/N OF DUST CAP	COLOR
9	106170-0004	BLACK
8	106170-0005	YELLOW



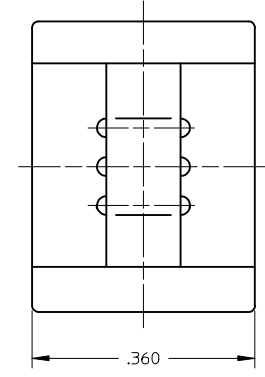
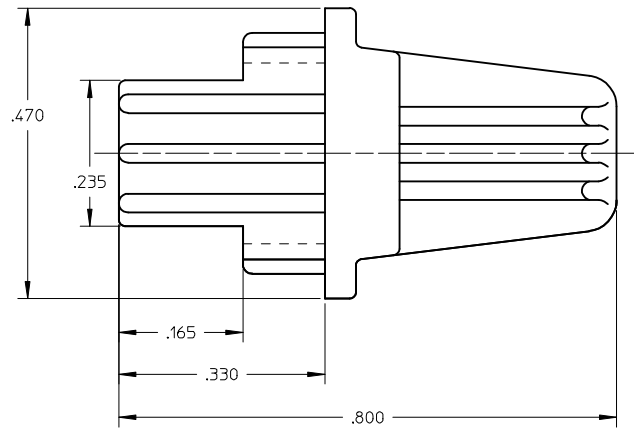
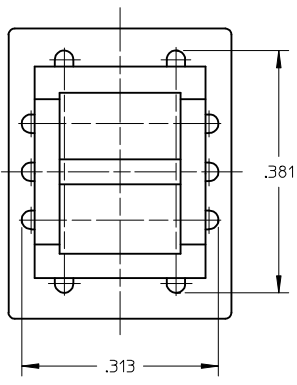
- NOTES:
1. ALL DIMENSIONS ARE FOR REFERENCE ONLY.
  2. MATERIAL - SATURATED STYRENIC BLOCK COPOLYMER (SEBS)  
FLAMMABILITY RATING UL94 V-0.  
COLOR - SEE TABLE.

<b>ENTER DESCRIPTION</b> EC NO: MF2013-0252 D/DRWN:KPEVZNER 2012/10/31 CHKD: APPR: IGUMIN 2012/11/02 REV	<b>QUALITY SYMBOLS</b> $\nabla F=0$ $\nabla F=0$ $\nabla F=0$	<b>GENERAL TOLERANCES (UNLESS SPECIFIED)</b> <table border="1"> <thead> <tr> <th></th> <th>mm</th> <th>INCH</th> </tr> </thead> <tbody> <tr> <td>4 PLACES</td> <td>± .004</td> <td>± .0001</td> </tr> <tr> <td>3 PLACES</td> <td>± .005</td> <td>± .0002</td> </tr> <tr> <td>2 PLACES</td> <td>± .007</td> <td>± .0003</td> </tr> <tr> <td>1 PLACE</td> <td>± .010</td> <td>± .0004</td> </tr> <tr> <td>0 PLACE</td> <td>± .015</td> <td>± .0006</td> </tr> </tbody> </table>		mm	INCH	4 PLACES	± .004	± .0001	3 PLACES	± .005	± .0002	2 PLACES	± .007	± .0003	1 PLACE	± .010	± .0004	0 PLACE	± .015	± .0006	<b>DIMENSION STYLE</b> INCH ONLY	SCALE DESIGN UNITS INCH	THIRD ANGLE PROJECTION
		mm	INCH																				
	4 PLACES	± .004	± .0001																				
	3 PLACES	± .005	± .0002																				
2 PLACES	± .007	± .0003																					
1 PLACE	± .010	± .0004																					
0 PLACE	± .015	± .0006																					
		APPROVED BY IGUMIN 2012/11/02	DATE 2012/11/02	<b>TITLE</b> DUST CAP																			
		MATERIAL NO. SEE TABLE		DOCUMENT NO. SD-10170-0004	SHEET NO. 1 OF 1																		
		ANGULAR $\pm 1/2^\circ$ DRAFT WHERE APPLICABLE MUST REMAIN WITHIN DIMENSIONS																					

**molex**

THIS DRAWING CONTAINS INFORMATION THAT IS PROPRIETARY TO MOLEX INCORPORATED AND SHOULD NOT BE USED WITHOUT WRITTEN PERMISSION

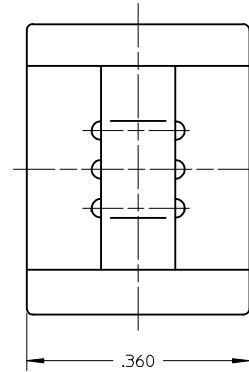
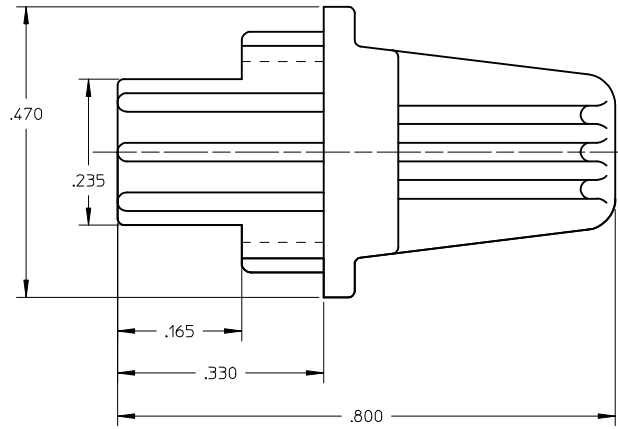
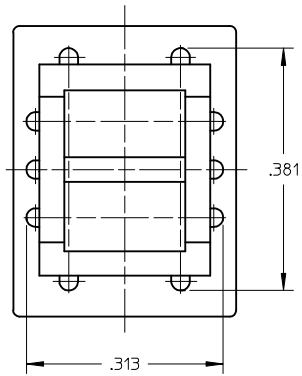
10	P/N OF DUST CAP	COLOR
9	106170-0004	BLACK
8	106170-0005	YELLOW



- NOTES:
1. ALL DIMENSIONS ARE FOR REFERENCE ONLY.
  2. MATERIAL - SATURATED STYRENIC BLOCK COPOLYMER (SEBS)  
FLAMMABILITY RATING UL94 V-0.  
COLOR - SEE TABLE.

<b>ENTER DESCRIPTION</b> EC NO: MF2013-0252 D: DRW:KPEVZNER 2012/10/31 CHKD: APPR: IGUMIN 2012/11/02 REV	<b>QUALITY SYMBOLS</b> = 0 = 0 = 0	<b>GENERAL TOLERANCES (UNLESS SPECIFIED)</b> <table border="1"> <thead> <tr> <th></th> <th>mm</th> <th>INCH</th> </tr> </thead> <tbody> <tr> <td>4 PLACES</td> <td>± .004</td> <td>± .0001</td> </tr> <tr> <td>3 PLACES</td> <td>± .005</td> <td>± .0002</td> </tr> <tr> <td>2 PLACES</td> <td>± .007</td> <td>± .0003</td> </tr> <tr> <td>1 PLACE</td> <td>± .010</td> <td>± .0004</td> </tr> <tr> <td>0 PLACE</td> <td>± .015</td> <td>± .0006</td> </tr> </tbody> </table>		mm	INCH	4 PLACES	± .004	± .0001	3 PLACES	± .005	± .0002	2 PLACES	± .007	± .0003	1 PLACE	± .010	± .0004	0 PLACE	± .015	± .0006	<b>DIMENSION STYLE</b> INCH ONLY DRAWN BY: JSZEWczyk DATE: 2009/07/09 CHECKED BY: DATE:	SCALE: TITLE: DUST CAP DESIGN UNITS: INCH THIRD ANGLE PROJECTION
		mm	INCH																			
	4 PLACES	± .004	± .0001																			
	3 PLACES	± .005	± .0002																			
2 PLACES	± .007	± .0003																				
1 PLACE	± .010	± .0004																				
0 PLACE	± .015	± .0006																				
		ANGULAR ±1/2° DRAFT WHERE APPLICABLE MUST REMAIN WITHIN DIMENSIONS	APPROVED BY: IGUMIN DATE: 2012/11/02 MATERIAL NO. SEE TABLE	<b>molex</b> DOCUMENT NO. SD-10170-0004																		
			SIZE B THIS DRAWING CONTAINS INFORMATION THAT IS PROPRIETARY TO MOLEX INCORPORATED AND SHOULD NOT BE USED WITHOUT WRITTEN PERMISSION	SHEET NO. 1 OF 1																		

P/N OF DUST CAP	COLOR
106170-0004	BLACK
106170-0005	YELLOW

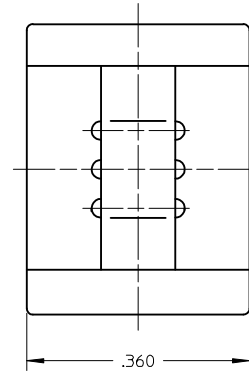
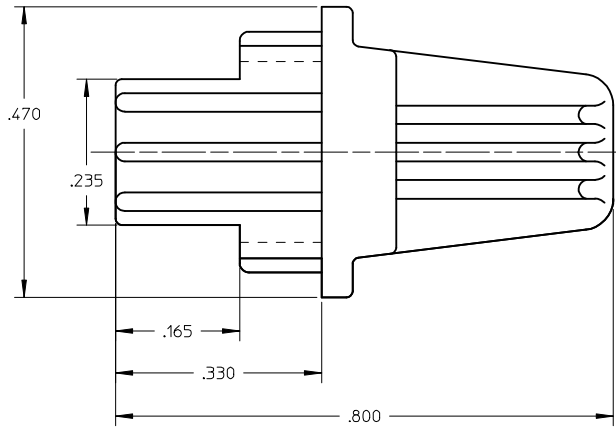
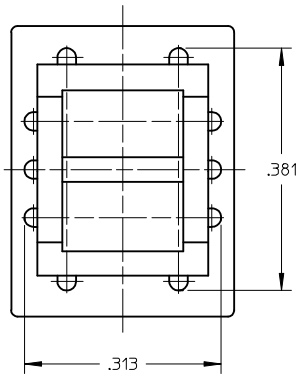


NOTES:

1. ALL DIMENSIONS ARE FOR REFERENCE ONLY.
2. MATERIAL - THERMOPLASTIC ELASTOMER (TPE)  
FLAMMABILITY RATING UL94 V-0.  
COLOR - SEE TABLE.

ENTER DESCRIPTION EC NO: MF2016-0018 DRAWN: IGUMIN 2015/09/11 CHKD: APPR: IGUMIN 2015/10/13 REV	QUALITY SYMBOLS	GENERAL TOLERANCES (UNLESS SPECIFIED)		DIMENSION STYLE <b>INCH ONLY</b>		SCALE <b>4:1</b>	DESIGN UNITS <b>INCH</b>	THIRD ANGLE PROJECTION		
	▽=0	mm	INCH	DRAWN BY JSZEWCZYK	DATE 2009/07/09	TITLE <b>DUST CAP</b>				
	▽=0	4 PLACES ± ---	± ---	CHECKED BY	DATE					
		3 PLACES ± ---	± ---	APPROVED BY		DATE 2015/10/13	<b>molex</b> MATERIAL NO. SEE TABLE DOCUMENT NO. SD-106170-0004 SHEET NO. 1 OF 1 THIS DRAWING CONTAINS INFORMATION THAT IS PROPRIETARY TO MOLEX INCORPORATED AND SHOULD NOT BE USED WITHOUT WRITTEN PERMISSION			
		2 PLACES ± ---	± ---	MATERIAL NO.		DATE				
	1 PLACE ± ---	± ---	DRAFT WHERE APPLICABLE MUST REMAIN WITHIN DIMENSIONS		DATE					
	0 PLACE ± ---	± ---	ANGULAR ±1/2°							

P/N OF DUST CAP	COLOR
106170-0004	BLACK
106170-0005	YELLOW



NOTES:

1. ALL DIMENSIONS ARE FOR REFERENCE ONLY.
2. MATERIAL - THERMOPLASTIC ELASTOMER (TPE)  
FLAMMABILITY RATING UL94 V-0.  
COLOR - SEE TABLE.

ENTER DESCRIPTION EC NO: MF2016-0018 DRAWN: IGUMIN 2015/09/11 CHKD: APPR: IGUMIN 2015/10/13 REV	QUALITY SYMBOLS	GENERAL TOLERANCES (UNLESS SPECIFIED)		DIMENSION STYLE	SCALE	DESIGN UNITS	THIRD ANGLE PROJECTION	
	▽=0	mm	INCH	INCH ONLY	4:1	INCH	DUST CAP	
	▽=0	4 PLACES	± ---	± ---	DRAWN BY	DATE	TITLE	
		3 PLACES	± ---	± ---	JSZEWCZYK	2009/07/09		
		2 PLACES	± ---	± ---	CHECKED BY	DATE		
	1 PLACE	± ---	± ---	APPROVED BY	DATE			
	0 PLACE	± ---	± ---		2015/10/13			
ANGULAR ±1/2°		DRAFT WHERE APPLICABLE		MATERIAL NO.	DOCUMENT NO.	SHEET NO.		
MUST REMAIN WITHIN DIMENSIONS				SEE TABLE	SD-106170-0004	1 OF 1		
THIS DRAWING CONTAINS INFORMATION THAT IS PROPRIETARY TO MOLEX INCORPORATED AND SHOULD NOT BE USED WITHOUT WRITTEN PERMISSION								