

4

3

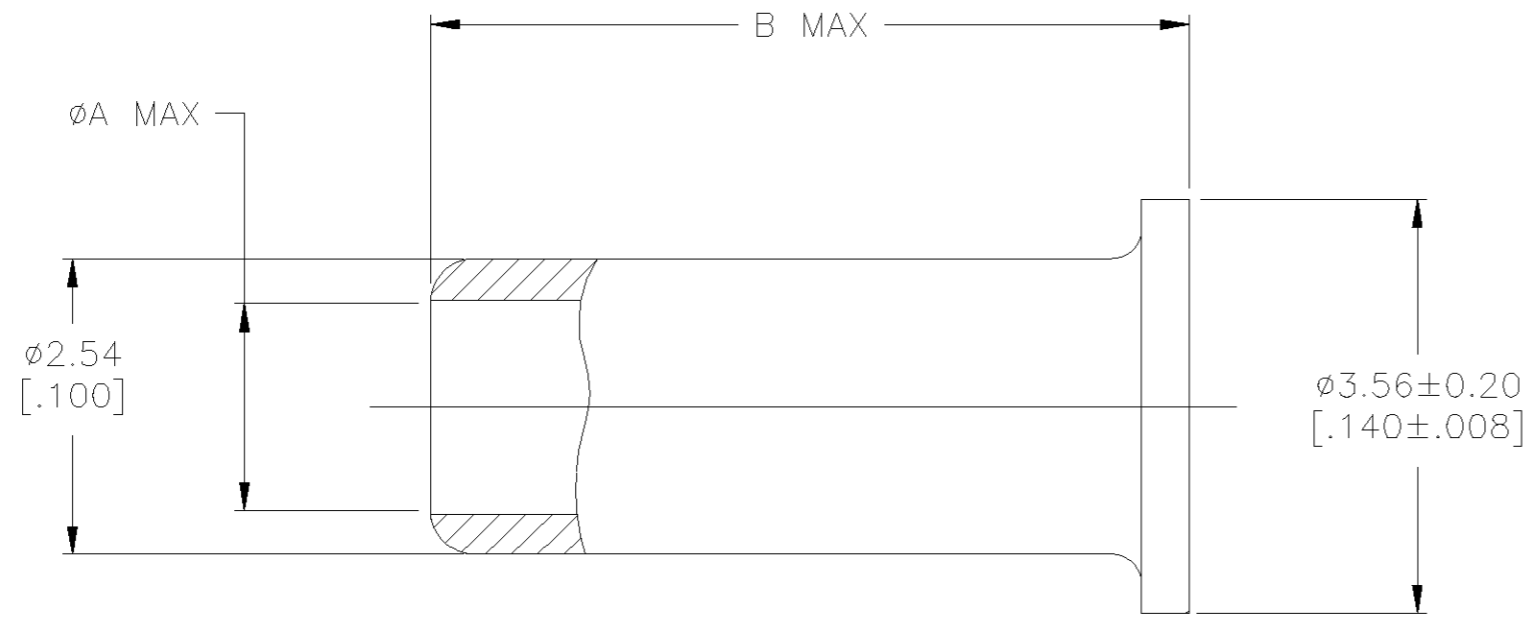
2

1

THIS DRAWING IS UNPUBLISHED. RELEASED FOR PUBLICATION  
 © COPYRIGHT BY TYCO ELECTRONICS CORPORATION. ALL RIGHTS RESERVED.

LOC	DIST	REVISIONS			
P	LTR	DESCRIPTION	DATE	DWN	APVD
AJ	16				
	J	REV PER 0U20-0164-01	26MAR01	MO	BM

△ BRASS PER ASTM-B-16 OR  
 BRASS PER ASTM-B-36  
 △ NICKEL PLATE PER QQ-N-290,  
 2.54μm [.000100] MIN THICKNESS



11.48 [.452]	0.91 [.036]	1-222001-8
10.03 [.395]	2.08 [.082]	1-222001-6
11.23 [.442]	1.88 [.074]	1-222001-4
18.97 [.747]	1.88 [.074]	1-222001-2
7.11 [.280]	1.88 [.074]	1-222001-0
10.03 [.395]	1.88 [.074]	222001-8
14.02 [.552]	1.88 [.074]	222001-6
7.42 [.292]	1.88 [.074]	222001-4
6.78 [.267]	1.88 [.074]	222001-2
B	A	PART NUMBER

THIS DRAWING IS A CONTROLLED DOCUMENT.		DWN D.LAMAN	27MAR01	AMP Tyco Electronics Corporation Harrisburg, Pa	
DIMENSIONS: MM (INCHES)		CHK R.E.RUTH	4/26/90	NAME TUBING	
TOLERANCES UNLESS OTHERWISE SPECIFIED:		APVD M. PHILLIPS	4/26/90	PRODUCT SPEC -	
0 PLC ± -		APPLICATION SPEC		RESTRICTED TO	
1 PLC ± -		WEIGHT		-	
2 PLC ± 0.13 [.005]		SIZE		A2	
3 PLC ± -		CAGE CODE		00779	
4 PLC ± -		DRAWING NO		C=222001	
ANGLES ± -		SCALE		10:1	
FINISH		SHEET		1 OF 1	
-		CUSTOMER DRAWING		REV J	

222001

B

A