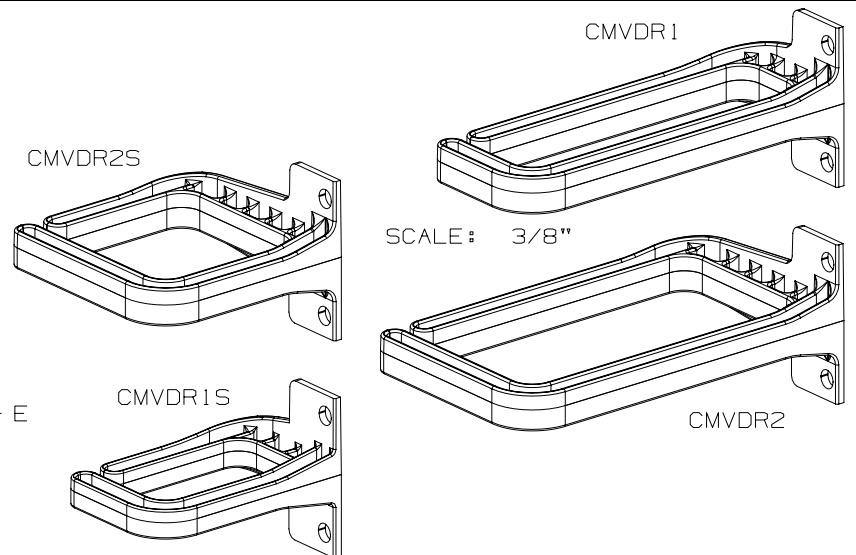
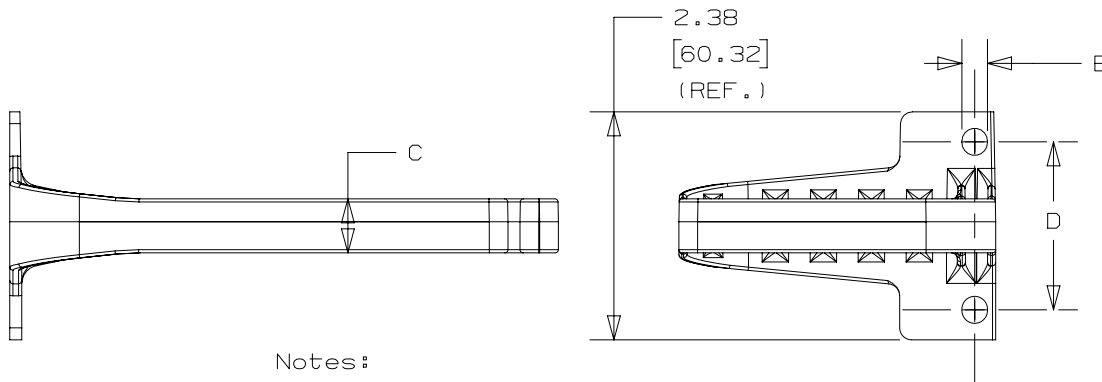
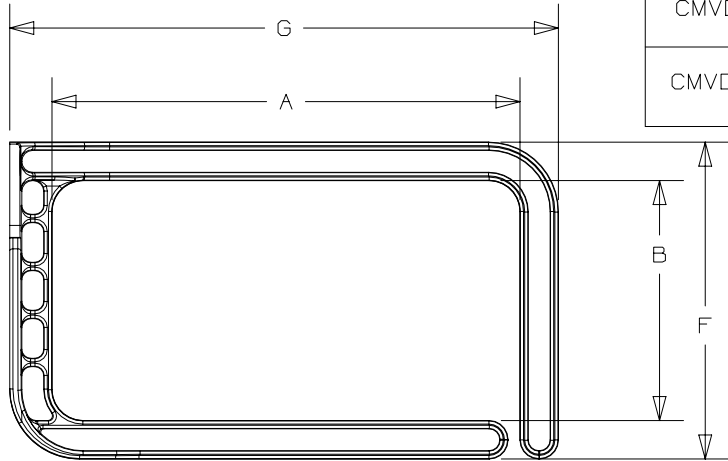


THIS COPY IS PROVIDED ON A RESTRICTED BASIS AND IS NOT TO BE USED IN ANY WAY DETRIMENTAL TO THE INTERESTS OF PANDUIT CORP.

PANDUIT PART NO.	DIMENSIONS						WEIGHT lbs / (grams) / 10 pcs	
	A MIN	B MIN	C	D *	E	F (REF)		G (REF)
CMVDR1	4.80 (121.92)	1.18 (29.97)	0.56 (14.29)	1.75 (44.45)	0.263 (6.68)	2.05 (52.07)	5.72 (145.2)	0.84 / (381.1)
CMVDR2		2.40 (60.9)				3.30 (83.82)		0.99 / (449.1)
CMVDR2S	2.40 (60.9)	1.18 (29.97)	0.437 (11.09)			2.05 (52.07)	3.26 (82.8)	0.747 / (338.9)
CMVDR1S								0.433 / (149.68)



Notes:

- \*1. This product is compatible with EIA/TIA hole spacing requirements for rack mounting components.
- 2. The maximum mounting hardware is 0.250" (6.5 mm) diameter.

TITLE <b>CABLE MANAGEMENT VERTICAL 'D' RING (CMVDR_)</b>			
CUSTOMER DRAWING			
ITEM REVISION NAME 14V456DU/04		<b>PANDUIT</b>	
DATASET FILE NAME 14V456DU_DC/04A			
UNLESS OTHERWISE SPECIFIED, DIMENSIONAL TOLERANCES ARE:		MATERIAL: <b>FLAME RETARDANT POLYCARBONATE</b>	
THIRD ANGLE PROJECTION		DRAWING NUMBER: <b>GB2248BM</b>	
		DRAWN BY: JAD DATE: 12-15-99 CHK: SCALE: 1:2	SHT 1 OF 1 SIZE: A

REV	DATE	BY	CHK	APR	DESCRIPTION	ECN
04A	3-7-17	TWV			UPDATED NOTES	GB2248BM
3	11-1-01	JAD			ADDED CMVDR1S, UPDATED TABLE AND 3-D VIEW	GB2248BM
2	10-20-00	JAD			DIM'E' WAS .265 (6.73), 'B' WAS 2.48 (62.9) 'A' WAS 2.42 (61.5)	GB2248BM