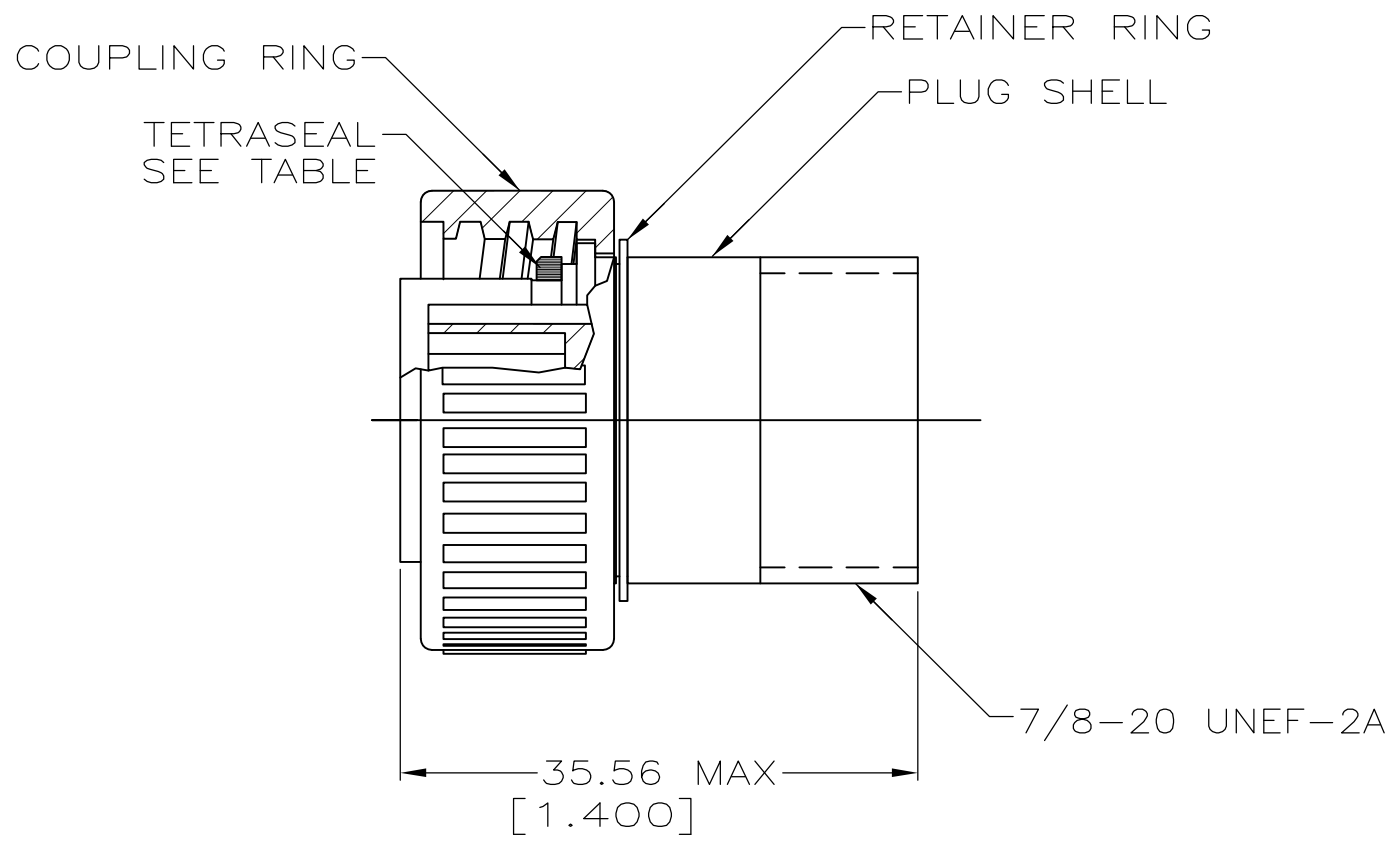
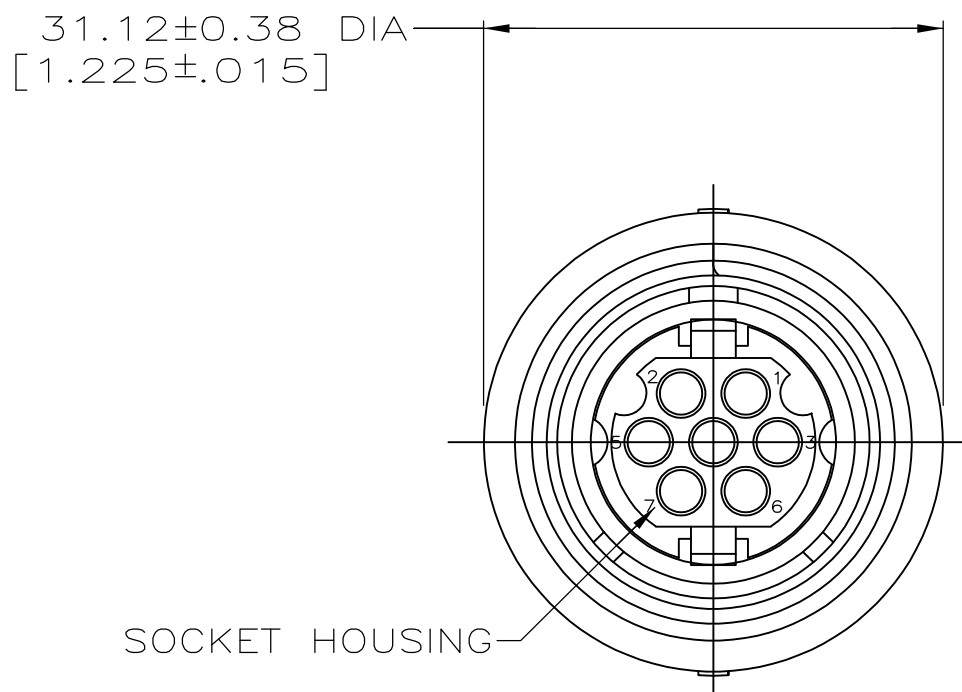


THIS DRAWING IS UNPUBLISHED. RELEASED FOR PUBLICATION
 © COPYRIGHT - By - ALL RIGHTS RESERVED.

LOC	DIST	REVISIONS			
P	LTR	DESCRIPTION	DATE	DWN	APVD
BD	35	H1	REVISED PER ECO-11-005027	11MAR11	RK HMR



1. THIS CONNECTOR ACCEPTS SEVEN (7) SIZE 16 MULTIMATE SOCKET CONTACTS, MAXIMUM WIRE INSULATION DIA = 2.67 [.105].
2. THIS CONNECTOR MATES WITH AMP PART NUMBER 208715-1.
3. AMP PART NUMBER AND DATE CODE TO BE LOCATED ON COUPLING RING.

- ④ NICKEL PER QQ-N-290 OVER COPPER PER MIL-C-14550.
- ⑤ ZINC PER QQ-Z-363.

YES	208714-2
NO	208714-1
SEAL	PART NO

THIS DRAWING IS A CONTROLLED DOCUMENT.		DWN D.HARDY 05/23/94	TE Connectivity PLUG ASSEMBLY, STANDARD SEX, SERIES 1, 14-7, CMC	
DIMENSIONS: INCHES		CHK C.DORWART 05/24/94		
		APVD A.FRANTUM 07/13/94		
TOLERANCES UNLESS OTHERWISE SPECIFIED:		PRODUCT SPEC	NAME	
0 PLC ± -		APPLICATION SPEC	SIZE	
1 PLC ± -		WEIGHT -	CAGE CODE	
2 PLC ± -		A300779		
3 PLC ± -		DRAWING NO		
4 PLC ± -		C-208714		
ANGLES ± -		RESTRICTED TO		
MATERIAL		SCALE 2:1		
SKT HSG: TERMOPLASTIC, BLACK		SHEET 1 OF 1		
SEAL: FLUOROCARBON ELASTOMER		REV H1		
RTNR RING: STAINLESS STEEL		CUSTOMER DRAWING		
CPLG RING: ④				
PLUG SHELL: ④				