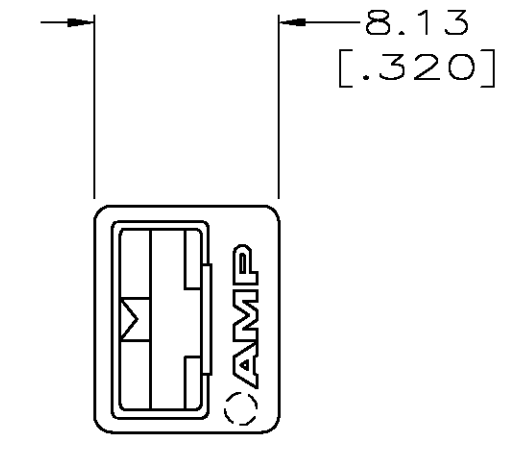
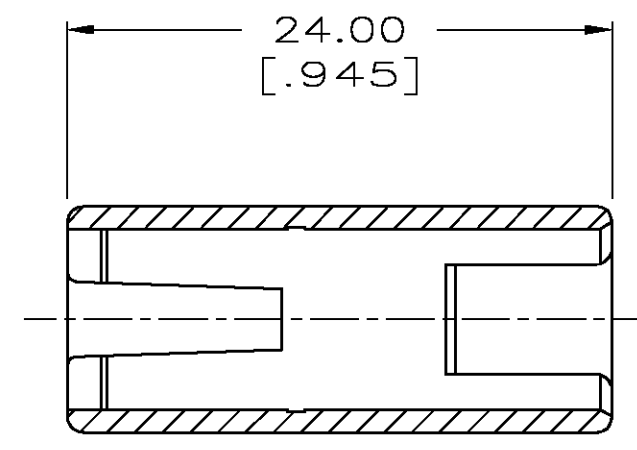
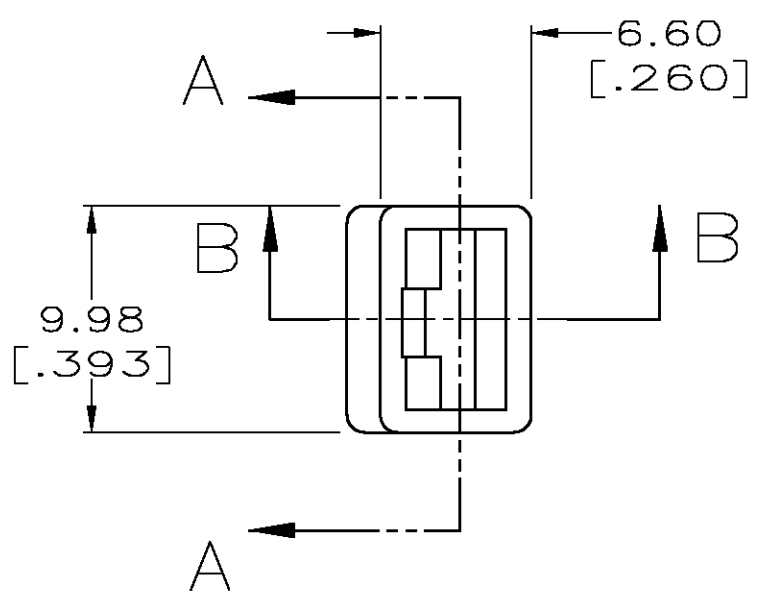
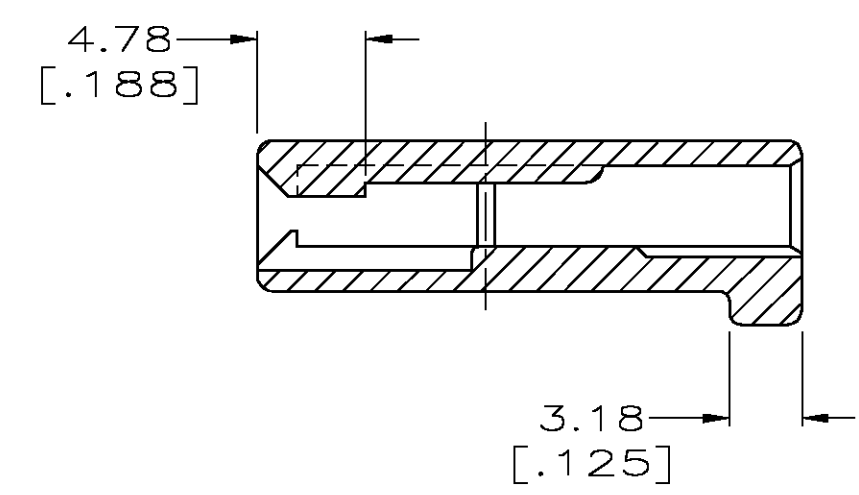


THIS DRAWING IS UNPUBLISHED. RELEASED FOR PUBLICATION ,19 .
 © COPYRIGHT 19 BY AMP INCORPORATED. ALL RIGHTS RESERVED.

LOC	DIST	REVISIONS					
		P	LTR	DESCRIPTION	DATE	DWN	APVD
AF	50		D	REV PER 0G3A-0337-03	03JUN03	RF	PD



SECTION A-A



SECTION B-B

- ① PREPRODUCTION - FASR REQ
- ② PRELIMINARY - NOT FOR PRODUCTION
- 3 RECOMMENDED MATING TAB LENGTH TO BE A MINIMUM OF .400

NATURAL	VECTRA A130, VO	② 521290-2
NATURAL	66/6 NYLON, VO	① 521290-1
COLOR	MATERIAL	PART NO.

THIS DRAWING IS A CONTROLLED DOCUMENT.		DWN JR RUTH 16MAR00	AMP Incorporated Harrisburg, PA 17105-3608	
DIMENSIONS: MM [INCHES]		CHK MS FEHER 16MAR00	AMP	
TOLERANCES UNLESS OTHERWISE SPECIFIED:		APVD D BRATINA 16MAR00	NAME HOUSING, RECEPT, FASTIN-FASTON, SINGLE CIRCUIT, 6.35 [.250] SERIES	
0 PLC ±-	1 PLC ±-	PRODUCT SPEC	SIZE	CAGE CODE
2 PLC ±0.38 [.015]	3 PLC ±-	APPLICATION SPEC	A3	00779
4 PLC ±-	ANGLES ±-	WEIGHT	C=	521290
MATERIAL SEE TABLE	FINISH SEE TABLE	CUSTOMER DRAWING	SCALE	SHEET
			3:1	1 OF 1
			REV	D