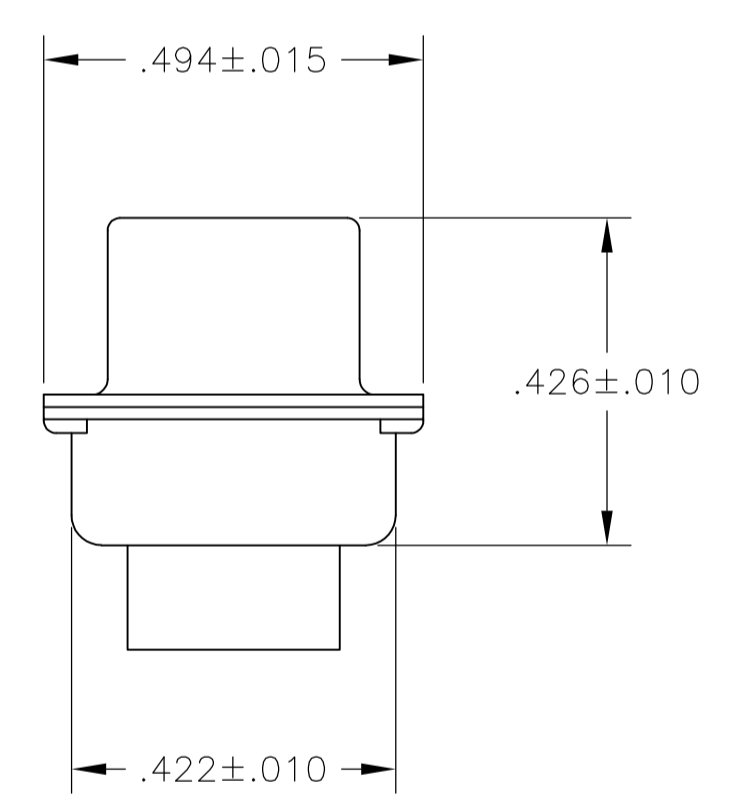
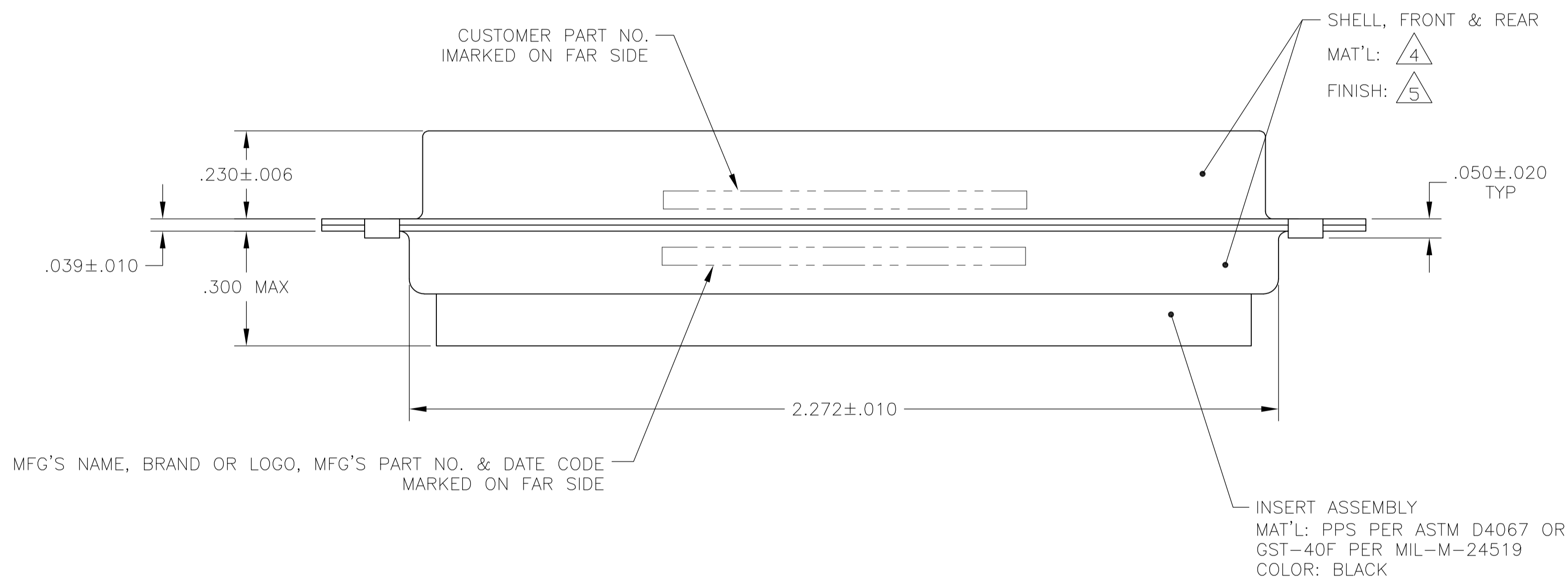
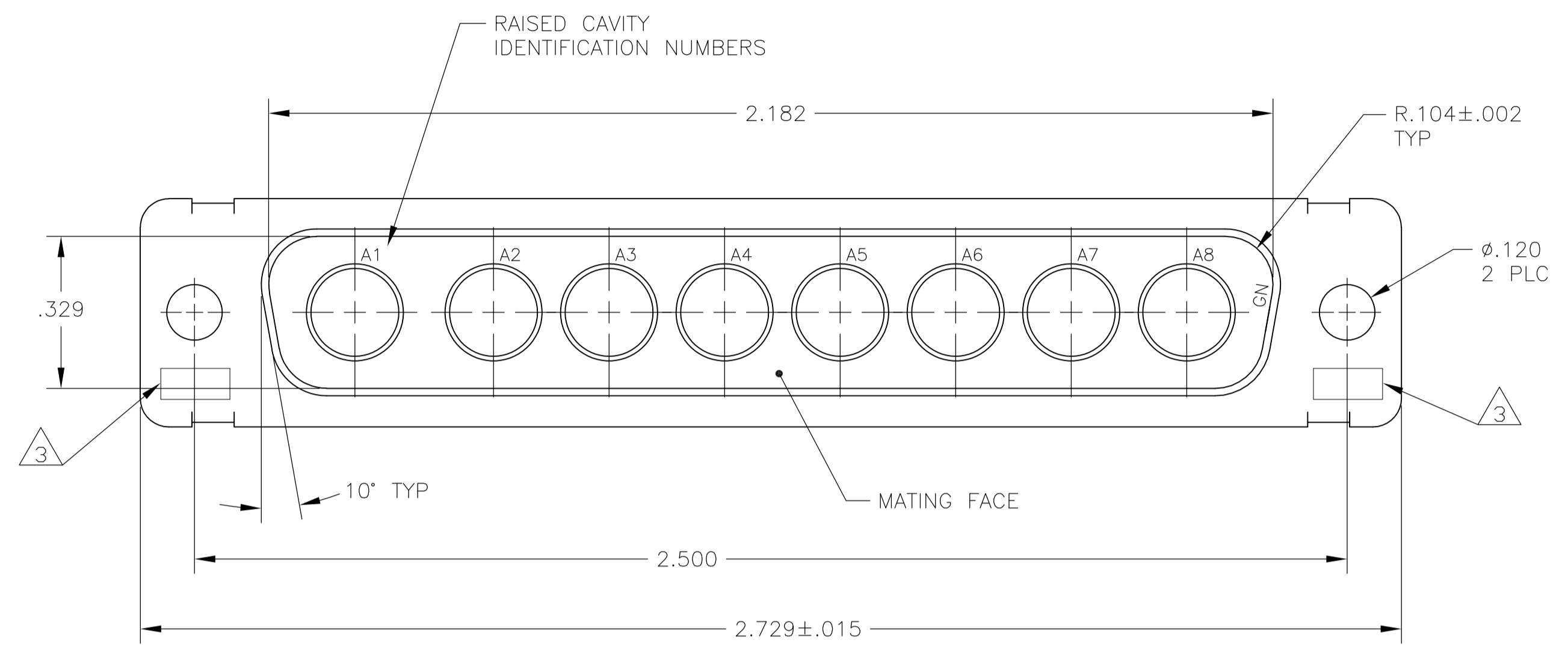


LOC		DIST		REVISIONS				
DF	DO	REV	PER	ECO	DESCRIPTION	DATE	DWN	APVD
C					REV PER ECO 08-030008	21JAN2009	PK	RL

- THIS PLUG WILL MATE WITH ANY 8C8, SIZE 4 RECEPTACLE IN AMPLIMITE SERIES.
- USE (8) SIZE 8 POWER, OR COAX PIN CONTACTS. CONSULT PRODUCT ENGINEERING FOR MORE DETAILS.
- UL/CSA DESIGNATION STAMPED IN THIS AREA, OPTIONAL.
- BRASS PER ASTM-B-36 AND MIL-C-50.
- FINISH: PLATED GOLD PER ASTM-B-488, TYPE 3, CODE C, CLASS 1.25 OVER COPPER PLATE PER MIL-C-14550, CLASS IV.



B010950-0017	1883536-1
CUSTOMER PART NO.	PART NO.

THIS DRAWING IS A CONTROLLED DOCUMENT.		DIN C.C. THOMAS 11-16-06		Tyco Electronics Corporation	
DIMENSIONS: INCHES		CHK D.MILLER 11-17-06		Tyco Electronics Corporation Harrisburg, PA 17105-3608	
TOLERANCES UNLESS OTHERWISE SPECIFIED:		APP'D D.MILLER 11-17-06		NAME	
0 PLC ± -	1 PLC ± -	PRODUCT SPEC		PLUG ASSEMBLY	
2 PLC ± -	3 PLC ± .005	APPLICATION SPEC		AMPLIMITE 8C8	
4 PLC ± -	ANGLES ± 0°30'	SIZE		COAX MIX, SIZE 4, HI-TEMP	
MATERIAL	FINISH	WEIGHT	SCALE	DRAWING NO.	RESTRICTED TO
-	-	-	4:1	A1 00779 C=1883536	-
CUSTOMER DRAWING			SHEET	1 OF 1	REV C