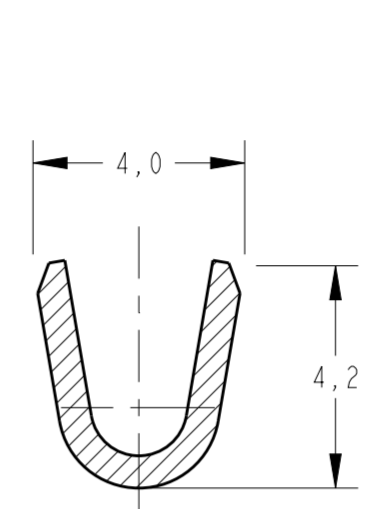
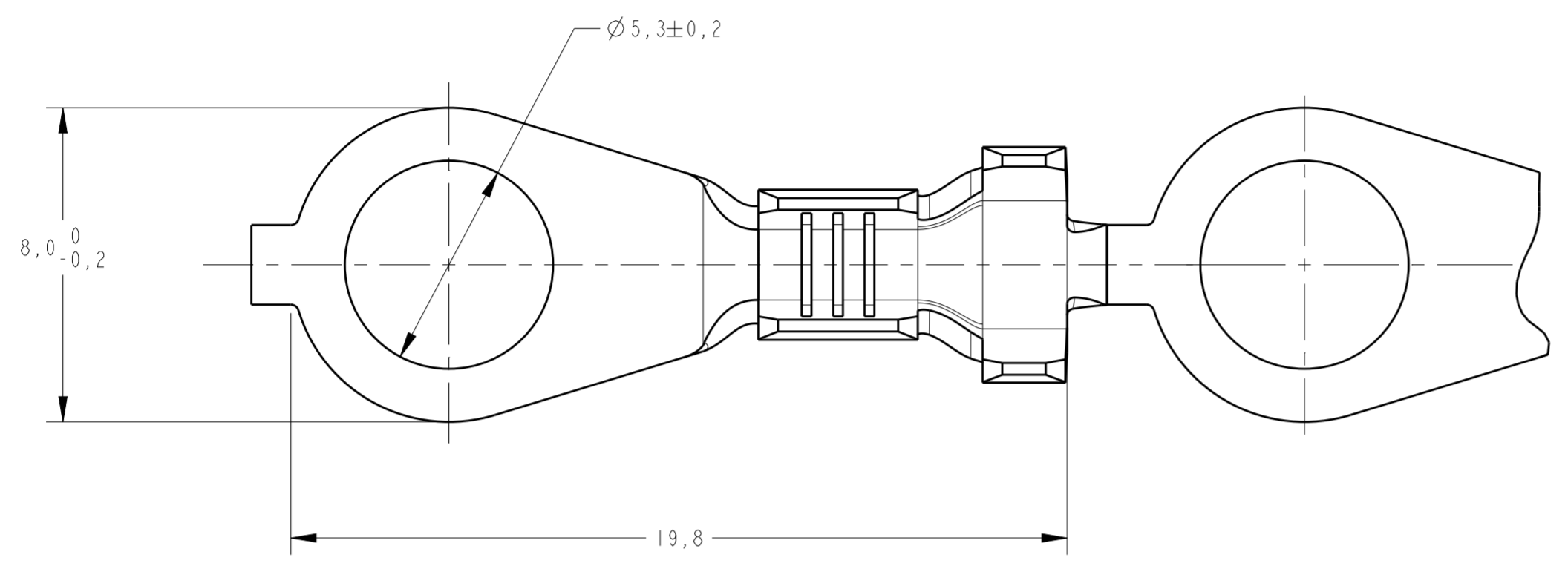


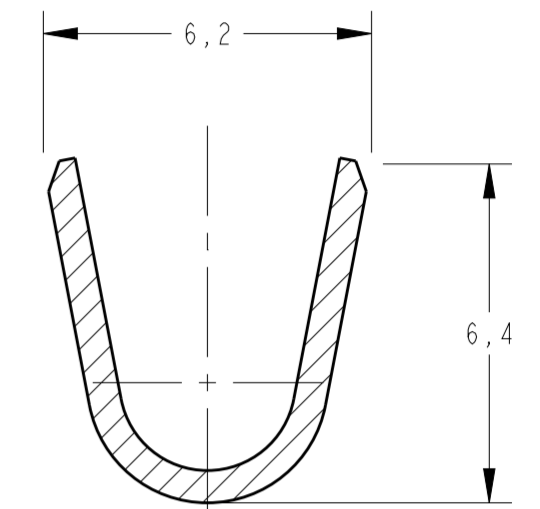
THIS DRAWING IS UNPUBLISHED. RELEASED FOR PUBLICATION 20
 © COPYRIGHT 20 BY - ALL RIGHTS RESERVED.

creo
 Creo Parametric 2.0
**DO NOT REVISE
 EXCEPT BY CAD**

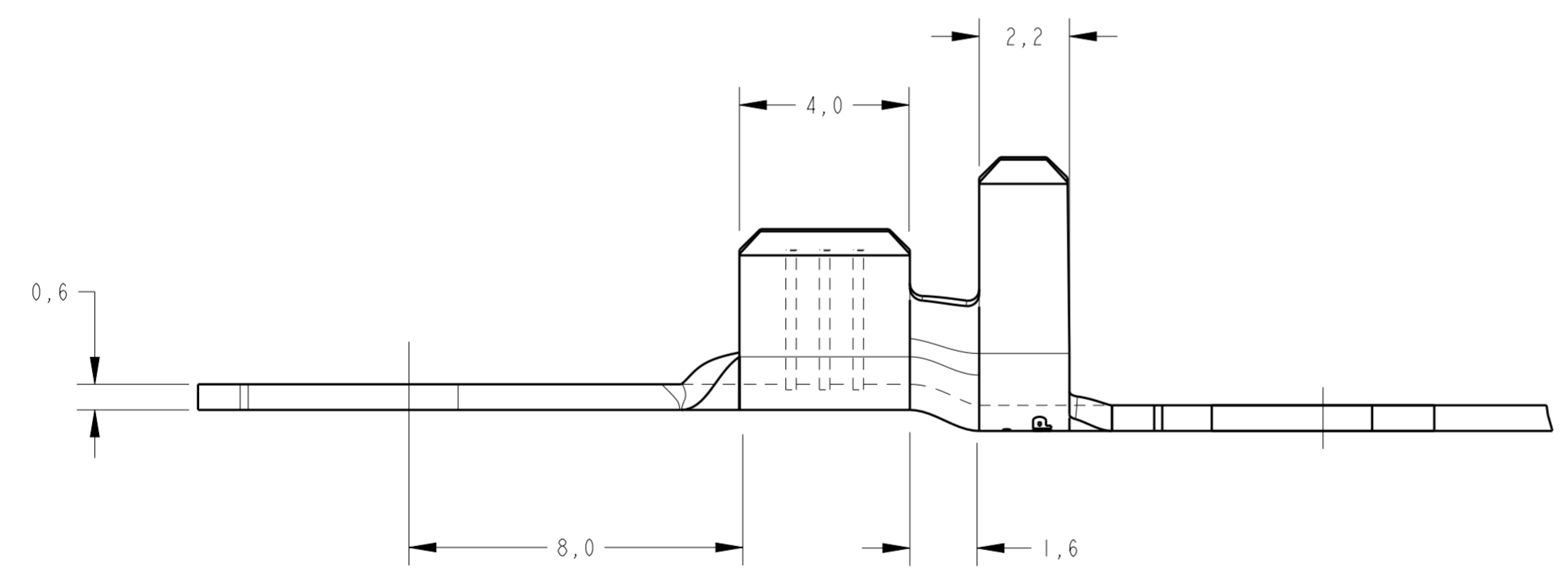
REVISIONS					
P	LTR	DESCRIPTION	DATE	DWN	APVD
B5		REV. BY ECO 17-017464	28NOV2017	HC	RK



SECTION A-A
 SCALE 7:1

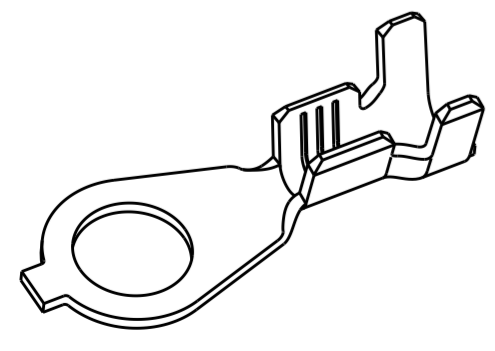


SECTION B-B
 SCALE 7:1



I - REBOBINAR INTERCALANDO COM PAPEL.
 - REELING WITH PAPER-INTERLEAVE

OBSOLETE	ESTANHADO / TIN PLATED	LATÃO / BRASS	880643-6
OBSOLETE	NIQUELADO / NICKEL PLATED	LATÃO / BRASS	880643-5
OBSOLETE	ESTANHADO / TIN PLATED	BRONZE FOSF./PHOSP.BRONZE	880643-4
OBSOLETE		BRONZE FOSF./PHOSP.BRONZE	880643-3
	ESTANHADO / TIN PLATED	LATÃO / BRASS	880643-2
		LATÃO / BRASS	880643-1
	FINISH	MATERIAL	PART NUMBER



PERSPECTIVE VIEW
 SCALE 3:1

INS. DIA. RANGE	2,7-4,0mm
WIRE RANGE	>1,0-2,5mm ²

THIS DRAWING IS A CONTROLLED DOCUMENT.		DWN NCLAPRESA 10DEC2014	TE Connectivity	
DIMENSIONS: mm		CHK FFORTUNATO 10DEC2014		
TOLERANCES UNLESS OTHERWISE SPECIFIED: 0 PLC ± 1 PLC ±0,3 2 PLC ± 3 PLC ± 4 PLC ± ANGLES ±° FINISH		APVD LWPRADO 10DEC2014		
MATERIAL SEE TABLE		PRODUCT SPEC -	NAME - RING TONGUE	
SEE TABLE		APPLICATION SPEC -	SIZE A2	CAGE CODE -
-		WEIGHT -	DRAWING NO C-880643	RESTRICTED TO -
-		Customer Drawing	SCALE 7:1	SHEET 1 OF 1 REV B5