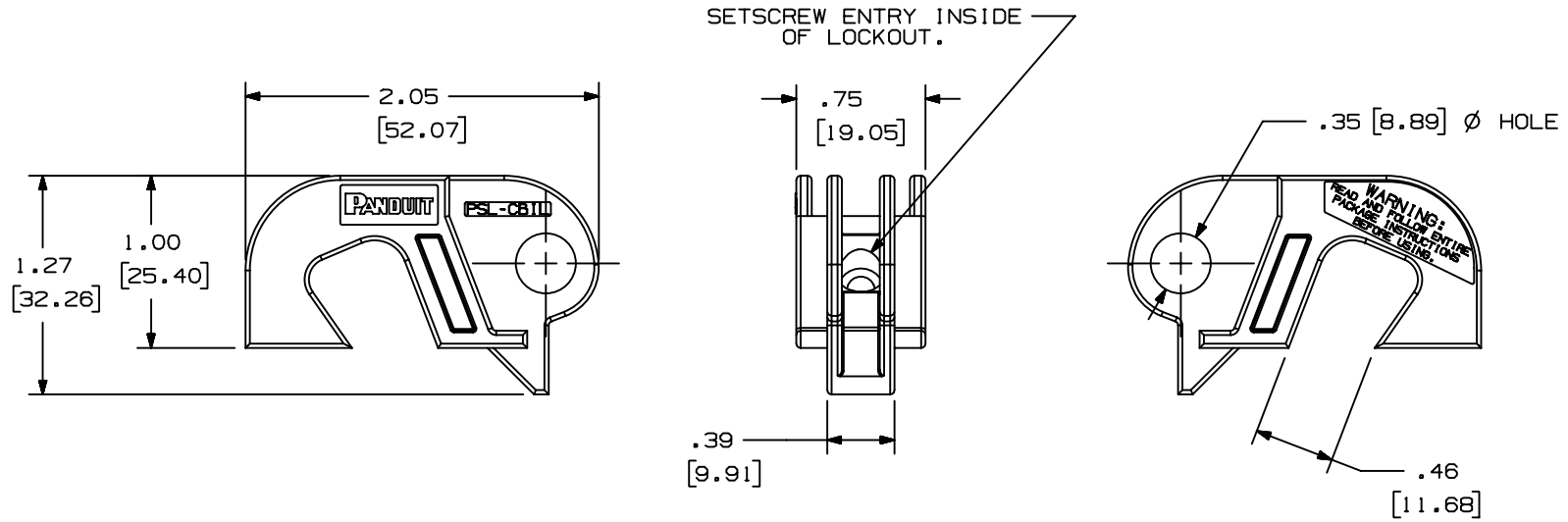


THIS COPY IS PROVIDED ON A RESTRICTED BASIS AND IS NOT TO BE USED IN ANY WAY DETRIMENTAL TO THE INTERESTS OF PANDUIT CORP.



NOTES:  
1. MILLIMETERS ARE SHOWN IN PARENTHESES ( ).

CAD FILENAME/LAYERS I00619QP\_C10017\_PSL-CBIL\_00.prt

PANDUIT CORP. TINLEY PARK, ILLINOIS

PSL-CBIL CIRCUIT  
BREAK LOCKOUT

UNLESS OTHERWISE SPECIFIED,  
DIMENSIONAL TOLERANCES ARE:  
(.X) ± (.XXX) ±  
(.XX) ±.01 (0.25) ANGLES ±

UNLESS OTHERWISE SPECIFIED,  
ALL DIMENSIONS ARE GIVEN  
IN INCHES, THIRD ANGLE PROJECTION.

DRAWN BY  
RVU

MAT'L;

SCALE FULL

DATE  
7-13-99

RED NYLON

DRAWING NO.

C10017

DWG  
A  
SIZE

R	7-13-99	RVU		DRAWING RELEASE	3224	R			
REV	DATE	BY	CHK	DESCRIPTION	ECN	- R	CUST	SUP	