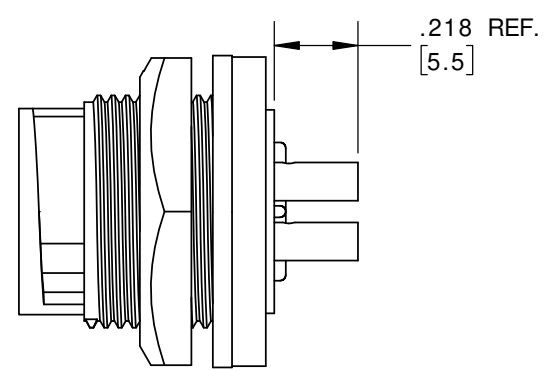
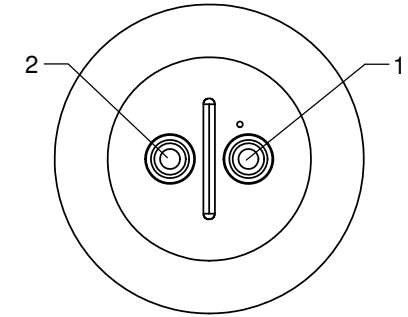


ASSY P/N	CONTACT QTY.
7380-2SG-300	2 # 16
7380-3SG-300	3 # 16
7380-4SG-300	4 # 16

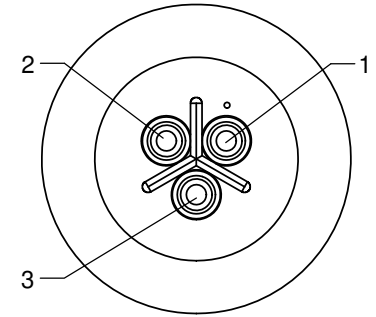
- NOTES:  
 1. PARTS TO BE BULK PACKED  
 2. CONTACTS SHIPPED UNASSEMBLED



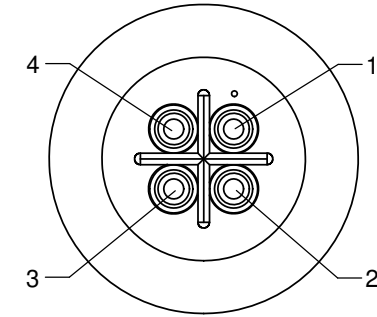
**ASSEMBLY CONTACT REFERENCE**  
FOR CUSTOMER REFERENCE ONLY



**WIRING VIEW**  
ASSY: 7380-2SG-300

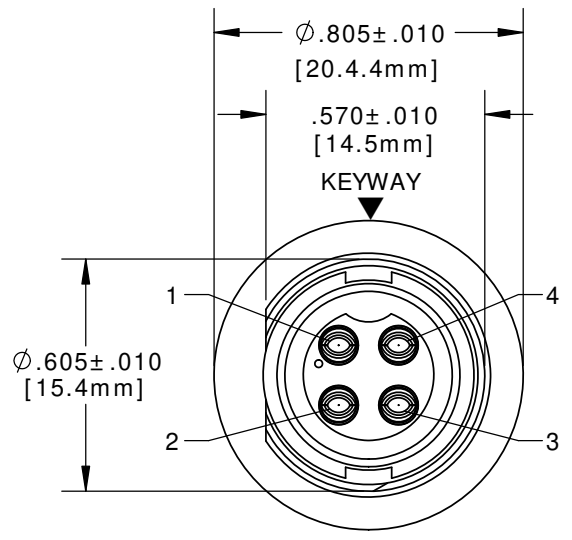


**WIRING VIEW**  
ASSY: 7380-3SG-300

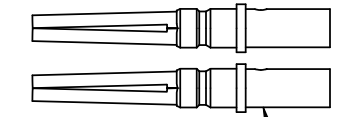
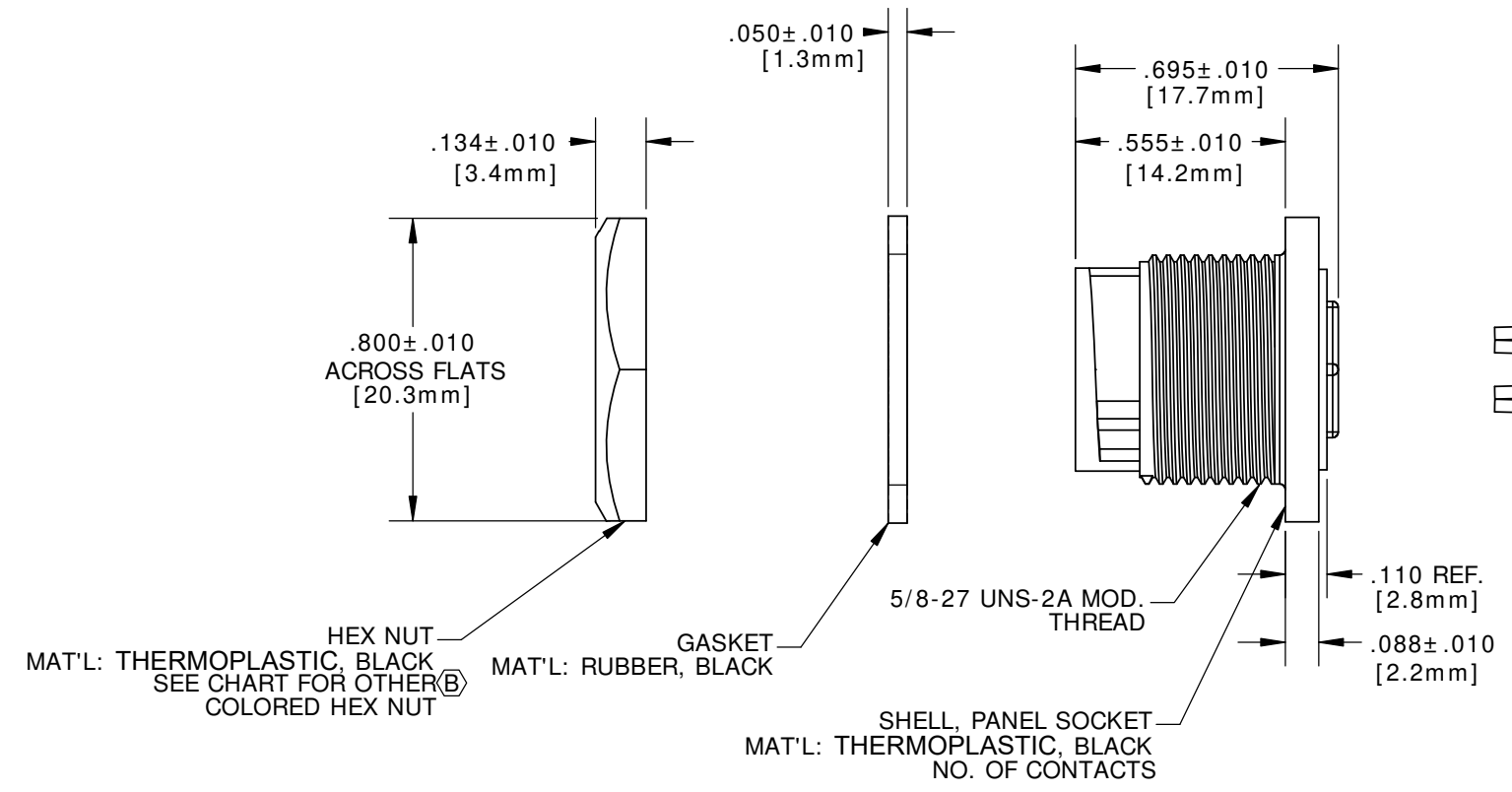


**WIRING VIEW**  
ASSY: 7380-4SG-300

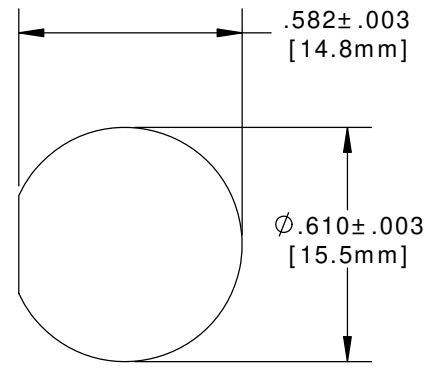
ASS'Y P/N	HEX NUT COLOR
7380-XSG-300CH1	WHITE
7380-XSG-300CH2	RED
7380-XSG-300CH3	BLUE
7380-XSG-300CH4	LIGHT GREY
7380-XSG-300CH5	YELLOW
7380-XSG-300CH6	MAROON
7380-XSG-300CH7	GREEN



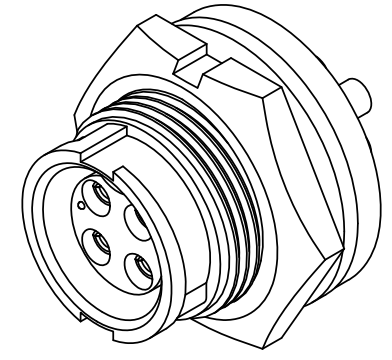
**FACE VIEW**  
7380-4SG-300 SHOWN



(2-4) # 16 SOCKET CONTACTS  
CRIMP  
MAT'L: GOLD PLATED COPPER ALLOY



**RECOMMENDED PANEL CUT OUT**



**SHOWN ASSEMBLED KIT**  
FOR CUSTOMER REFERENCE ONLY

**CUSTOMER APPROVAL**  
 THIS DOCUMENT CONTAINS CONFIDENTIAL INFORMATION PROPRIETARY TO CONXALL CORPORATION. ANY REPRODUCTION, DISCLOSURE, OR USE OF THIS DOCUMENT / INFORMATION IS EXPRESSLY PROHIBITED UNLESS AUTHORIZED IN WRITING BY CONXALL CORPORATION.  
 APPROVED BY: \_\_\_\_\_  
 DATE: \_\_\_\_\_

DIMENSIONS IN BRACKETS [ ] ARE METRIC

**RoHS COMPLIANT**

B	SS	05-13-19	ADDED HEX NUT COLOR CHART TO DRAWING PER DOR 19-E149SL #6
A	PD	09-11-12	DRAWING CREATED PER DOR 12-E149SL #30
REV.	INIT.	DATE	DESCRIPTION
ALL INFORMATION ILLUSTRATED IS THE PROPERTY OF CONXALL CORPORATION. UNAUTHORIZED DUPLICATION OR DISTRIBUTION OF THIS DOCUMENT IS PROHIBITED.		ORIG. DRAWN BY: PD	DATE: 09-11-12
ALL UNITS ARE IN FEET, INCHES, FRACTION OF INCHES, AND DECIMALS.		CHECKED BY:	 601 E. WILDWOOD VILLA PARK, IL 60181
APPROVED BY:		TITLE: PANEL MOUNT ASSEMBLY (2-4) SOCKET CONTACTS CRIMP MINI-CON-X	
SCALE: NTS	SIZE: B	SHEET: 1 OF 1	CUSTOMER: STANDARD PRODUCT
FILE: 7380-XSG-300(CHX)	DIRECTORY: SLW	PART NUMBER: 7380-XSG-300(CHX)	REV B

CUSTOMER PRINT

PART NUMBER: 7380-XSG-300(CHX)