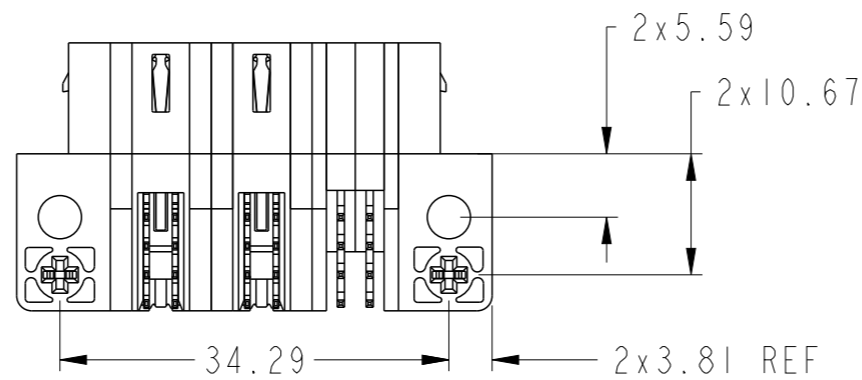
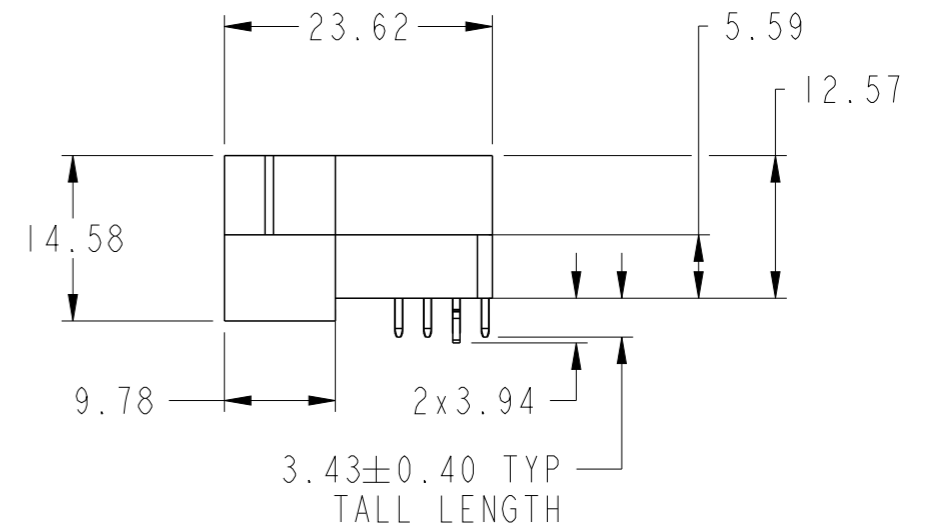
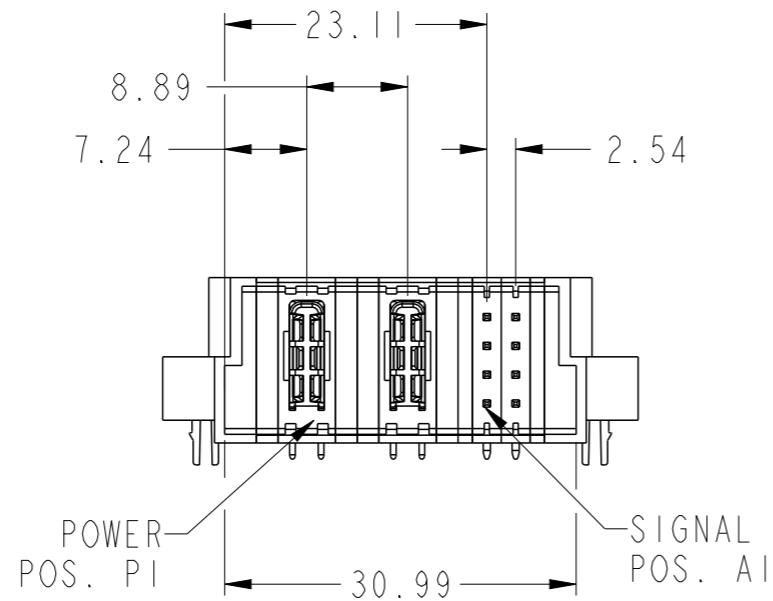
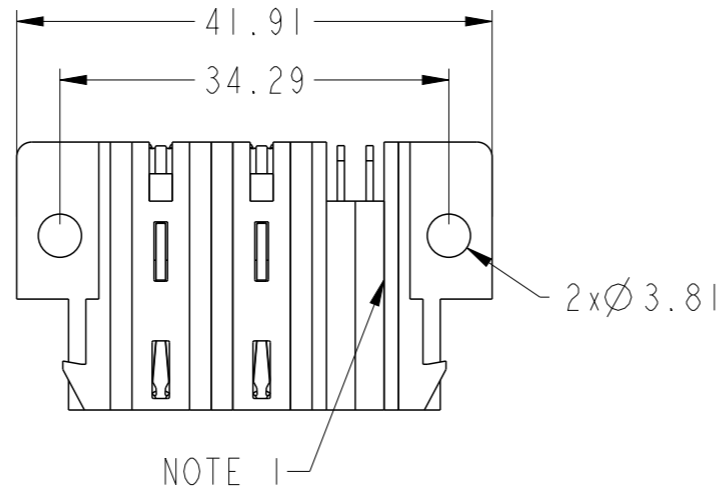


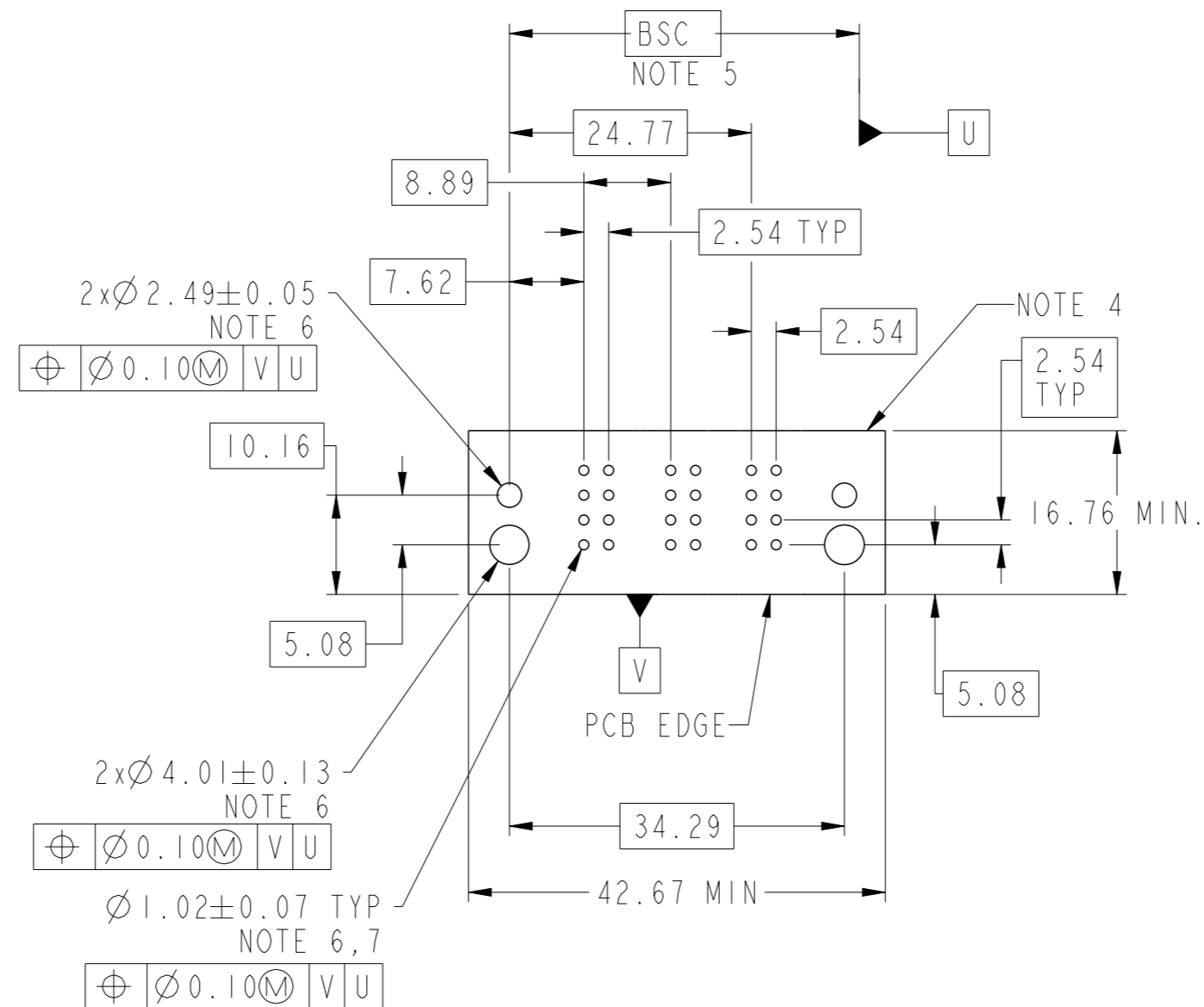
PRODUCT NUMBER SEE SHEET 2



Copyright FCI.

spec ref	*	dr	Vicking Liu	2015/11/04	projection	MM	size	A3	scale	3:2															
tolerance std	ASME Y14.5	eng	Vicking Liu	2015/12/25			ecn no	-	rel level	Released															
TOLERANCES UNLESS OTHERWISE SPECIFIED		chr	Fancy Zhang	2015/12/25			product family	PwrBlade+	rel level	Released															
surface	<table border="1"> <tr> <td>linear</td> <td>0.X</td> <td>±0.5</td> </tr> <tr> <td></td> <td>0.XX</td> <td>±0.25</td> </tr> <tr> <td></td> <td>0.XXX</td> <td>±0.10</td> </tr> <tr> <td>angular</td> <td>0°</td> <td>±2°</td> </tr> </table>	linear	0.X	±0.5		0.XX	±0.25		0.XXX	±0.10	angular	0°	±2°	appr	Pei-Ming Zheng	2015/12/25	product family	PwrBlade+	rel level	Released					
linear	0.X	±0.5																							
	0.XX	±0.25																							
	0.XXX	±0.10																							
angular	0°	±2°																							
ASME Y14.5	<table border="1"> <tr> <td>linear</td> <td>0.X</td> <td>±0.5</td> </tr> <tr> <td></td> <td>0.XX</td> <td>±0.25</td> </tr> <tr> <td></td> <td>0.XXX</td> <td>±0.10</td> </tr> <tr> <td>angular</td> <td>0°</td> <td>±2°</td> </tr> </table>	linear	0.X	±0.5		0.XX	±0.25		0.XXX	±0.10	angular	0°	±2°			<table border="1"> <tr> <td>title</td> <td>2HP + 8S STR</td> </tr> <tr> <td>part</td> <td>RA STB HEADER</td> </tr> </table>	title	2HP + 8S STR	part	RA STB HEADER	<table border="1"> <tr> <td>dwg no</td> <td>10106262-2002003</td> </tr> <tr> <td>rev</td> <td>A</td> </tr> </table>	dwg no	10106262-2002003	rev	A
linear	0.X	±0.5																							
	0.XX	±0.25																							
	0.XXX	±0.10																							
angular	0°	±2°																							
title	2HP + 8S STR																								
part	RA STB HEADER																								
dwg no	10106262-2002003																								
rev	A																								
www.fci.com		cat. no.	Product - Customer Drw			sheet 1 of 3																			

PRODUCT NO.	ROWS	HP				S		E2
		E1	P1	P2	1	2		
10106262-2002003LF	DCBA		H1	H1	UU	TT	SS	RR



CODE	DESCRIPTION
HI	STD HIGH POWER CONTACT (3.43)
HA	METAL HOLD DOWN
R	STD SIGNAL CONTACT, ROW A (3.43)
S	STD SIGNAL CONTACT, ROW B (3.43)
T	STD SIGNAL CONTACT, ROW C (3.43)
U	STD SIGNAL CONTACT, ROW D (3.43)

dr	Vicking Liu	2015/11/04	projection	MM	size	A3	scale	3:2	
eng	Vicking Liu	2015/12/25			ecn no				
chr	Fancy Zhang	2015/12/25	product family	PwrBlade+	rel level	Released			
appr	Pei-Ming Zheng	2015/12/25			title	2HP + 8S STR		dwg no	10106262-2002003
www.fci.com			cat. no.	Product - Customer Drw			sheet 2 of 3		



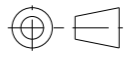
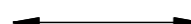

Copyright FCI.

NOTES:

- 1) "FCI", PART NUMBER AND DATE CODE TO BE MARKED ON THIS SURFACE.
THE MARK CAN BE OMITTED IF THERE IS NOT ENOUGH SPACE ON THIS SURFACE.
- 2) MATERIALS:
-HOUSING - GLASS FILLED WITH HIGH TEMP THERMOPLASTIC, UL94V-0.
-SIGNAL CONTACT - COPPER ALLOY.
-POWER CONTACT - HIGH CONDUCTIVITY COPPER ALLOY.
- 3) PLATING SPECIFICATION REFER TO FCI 10116351
- 4) DENOTES CONNECTOR KEEP OUT ZONE.
- 5) DATUM AND BASIC DIMENIONS WERE ESTABLISHED BY CUSTOMER.
- 6) ALL HOLE DIAMETERS ARE FINISHED HOLE SIZES.
- 7) 1.15±0.025MM DRILLED HOLE PLATED WITH 0.00762MM MIN Sn
OVER 0.0254-0.0762MM Cu PLATING TO ACHIEVE A 1.02±0.07MM HOLE.
- 8) PRODUCT SPECIFICATION: GS-12-658.
APPLICATION SPECIFICATION: GS-20-141.
PRODUCT PACKAGED IN TRAYS: GS-14-1502.



Copyright FCI.

dr	Vicking Liu	2015/11/04	projection 	MM 	size	A3	scale	3:2
eng	Vicking Liu	2015/12/25			ecn no	-		
chr	Fancy Zhang	2015/12/25			rel level	Released		
appr	Pei-Ming Zheng	2015/12/25	product family	PwrBlade+				
		title 2HP + 8S STR RA STB HEADER		dwg no 10106262-2002003	rev A			
www.fci.com		cat. no.	Product - Customer Drw		sheet 3 of 3			