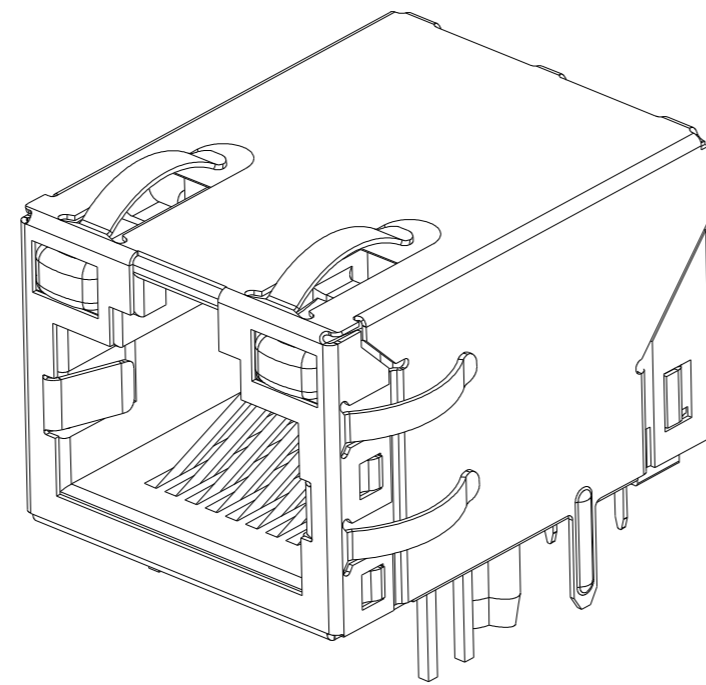
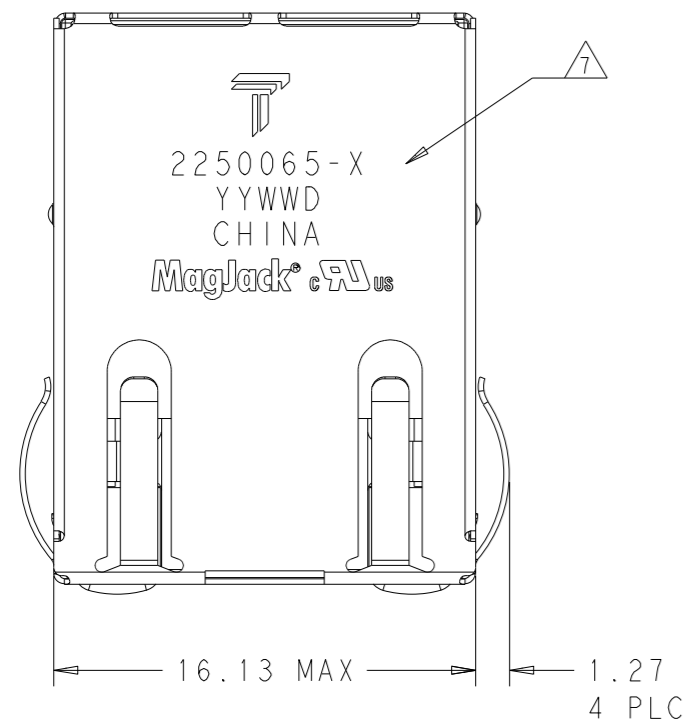


THIS DRAWING AND THE SUBJECT MATTER SHOWN THEREON ARE CONFIDENTIAL AND THE PROPERTY OF BEL/STEWART/TRP CONNECTOR AND SHALL NOT BE REPRODUCED, COPIED, OR USED IN ANY MANNER WITHOUT THE WRITTEN CONSENT OF TRP CONNECTOR.

PRODUCT MAY BE PROTECTED BY ONE OR MORE OF THE FOLLOWING US PATENTS:  
 5736910 5939955 6425781 6428361 6554638 6840817 7123117  
 7429195 7717749 7808751 6217391 6149050 7924130

REVISIONS				
#	LT#	DESCRIPTION	DATE	OWN APVD
5		EC-1411035 COMPANY LOGO CHANGE	04JAN2015	DP TY



1. MATERIALS

- HOUSING: THERMOPLASTIC, FLAMMABILITY RATING UL 94V-0.
- SHIELD: BRASS 0.20mm THICK, PREPLATED WITH 0.76um MIN SEMI-BRIGHT NICKEL. SOLDER TABS POST DIPPED WITH 2.54um MIN SAC SOLDER.
- CONTACTS: PHOSPHOR BRONZE 0.46mm X 0.30mm, PHOSPHOR BRONZE, 1.27um MIN NICKEL UNDERPLATE, WITH 1.27um MIN GOLD PLATING AT MATING INTERFACE AND 2.54um MIN MATTE TIN ON SOLDER TAILS, OR 1.27um MIN NICKEL UNDERPLATE, WITH 0.05um GOLD PLATING OVER 0.76um MIN PALLADIUM NICKEL PLATING AT MATING INTERFACE AND 2.54um MIN MATTE TIN ON SOLDER TAILS.
- SOLDER TAILS: 0.25mm THICK, PHOSPHOR BRONZE, 1.27um MIN OVERALL NICKEL UNDERPLATE, 3um TIN PLATE
- LIGHT EMITTING DIODE (LED): DIFFUSED EPOXY LENS, 0.5mm X 0.5mm CARBON STEEL WIREFRAME LEADS PREPLATED WITH 2.03um MIN. SILVER PLATE OVER 1.02um MIN. NICKEL OVER 1.02um MIN. COPPER UNDERPLATE; LEADS POST-PLATED WITH 3.05um MIN. MATTE TIN AND/OR SAC SOLDER DIP OR PURE TIN SOLDER DIP

△ RJ45 JACK CAVITY CONFORMS TO FCC RULES AND REGULATIONS PART 68 SUB PART F.

△ MAGNETICS

- APPLICATION: 10/100 BASE-T, EXTENDED TEMPERATURE
- IMPEDANCE: 100 Ohms
- TURNS RATIO (CHIP:CABLE): TX = 1:1, RX = 1:1
- OPEN CIRCUIT INDUCTANCE (OCL): 350uH MIN @100kHz, 0.1VRMS, 8mADC BIAS FROM -40°C TO +85°C, TX AND RX
- PERFORMANCE @ 25°C:
  - INSERTION LOSS (IL): 1.1dB MAX FROM 0.5MHz TO 100MHz
  - RETURN LOSS (RL): 18dB MIN FROM 0.5MHz TO 30MHz  
18-20LOG(f/30)dB MIN FROM 30.1MHz TO 60MHz  
12dB MIN FROM 60.1MHz TO 80MHz
  - CROSSTALK ATTENUATION: 35dB MIN FROM 0.5MHz TO 40MHz  
33-20LOG(f/50)dB MIN FROM 40.1MHz TO 100MHz
  - COMMON MODE REJECTION RATIO (CMRR): 30dB MIN FROM 0.5MHz TO 100MHz
- ISOLATION VOLTAGE: 2250VDC (MAX) FOR 60 SECONDS WITH A RISE TIME OF 500V/SEC.

4. OPERATING TEMPERATURE: FROM -40°C TO +85°C.

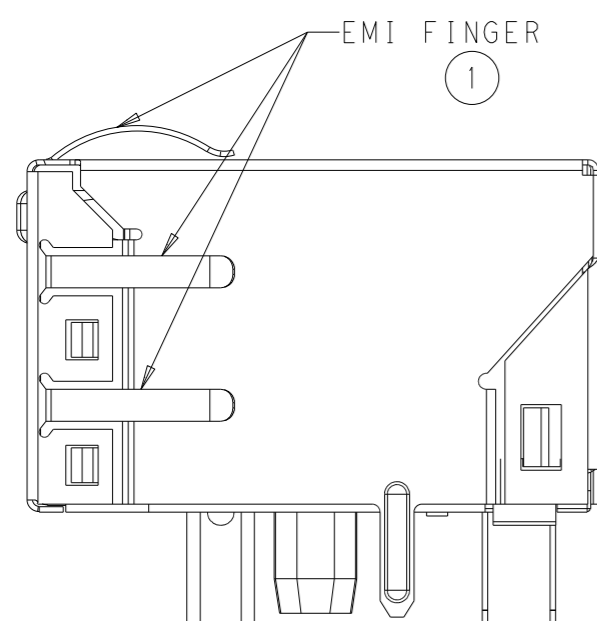
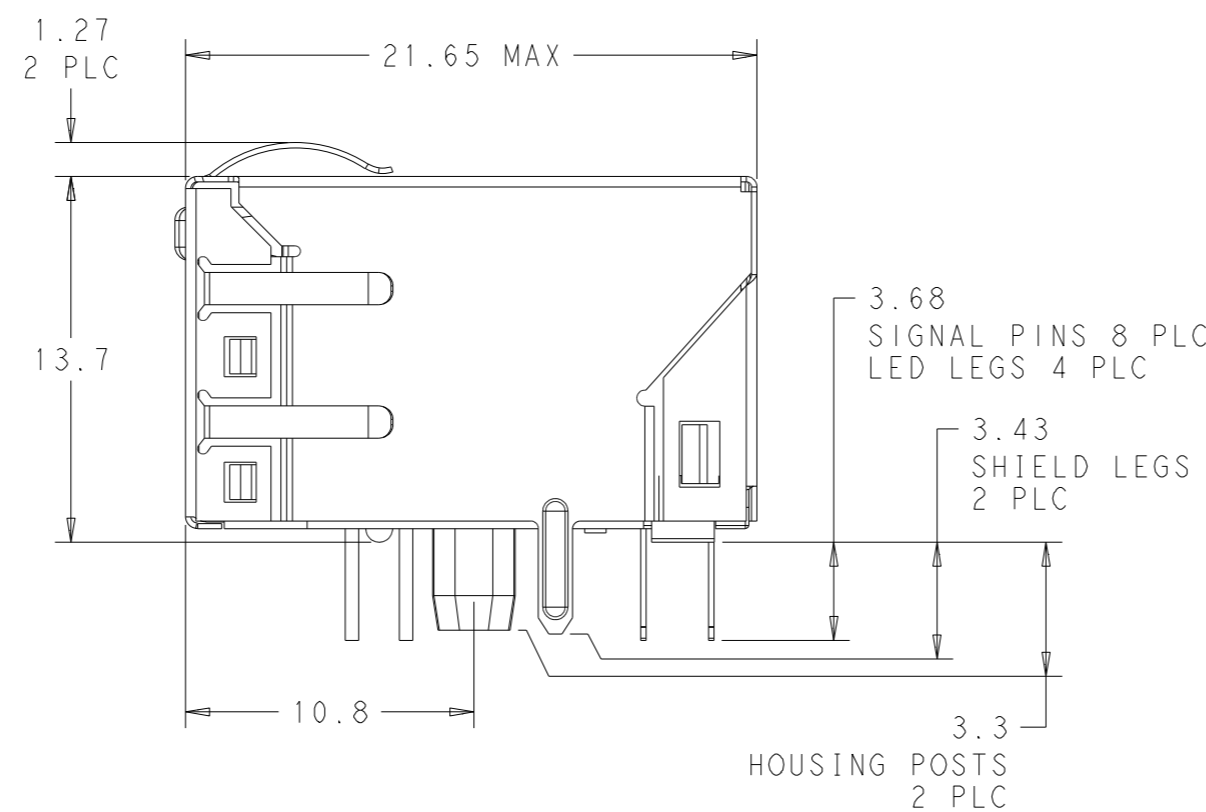
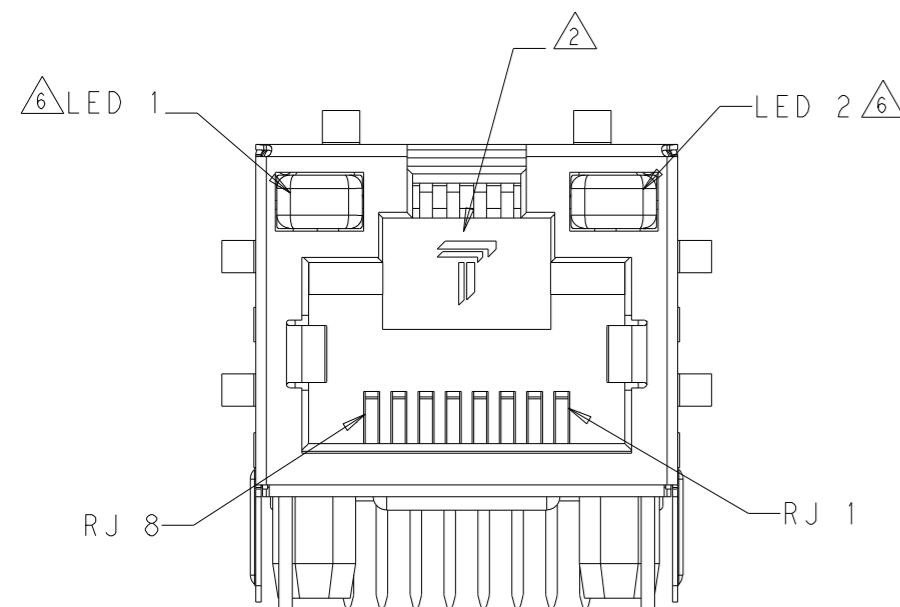
△ INDICATED MAGNETIC CONNECTIONS ARE SYMMETRICAL TO SUPPORT AUTO-MDI/MDIX.

△ THE 250 OHM LED RESISTORS ARE OPTIONAL, PLEASE SEE CHART FOR PRESENCE OR ABSENCE OF RESISTORS.  
 IF LEDS WITHOUT 250 OHM RESISTORS. LEDS ARE DRIVEN WITH CONSTANT CURRENT AT APPROX 20mA

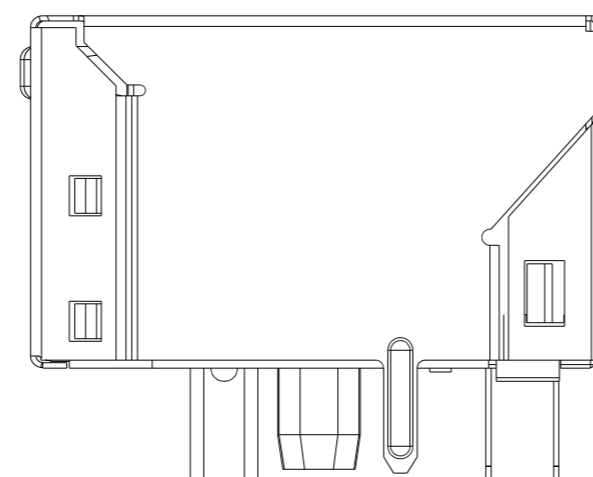
- LED COLOR: DOMINATE WAVELENGTH (λD): GREEN 568 nm TYP. AT IF = 20mA  
 FORWARD VOLTAGE (VF): GREEN 2.2V TYP. at IF = 20mA  
 DOMINATE WAVELENGTH (λD): YELLOW 588 nm TYP. AT IF = 20mA  
 FORWARD VOLTAGE (VF): YELLOW 2.1V TYP. at IF = 20mA  
 IF LEDS WITH BUILT-IN 250 OHM RESISTORS. LEDS ARE DRIVEN WITH 5V VOLTAGE AND THE MAX OPERATING CURRENT IS 20mA  
 LED COLOR: DOMINATE WAVELENGTH (λD): GREEN 568 nm TYP. @ VF=5V  
 FORWARD CURRENT (IF): GREEN 12mA TYP. @VF=5V  
 DOMINATE WAVELENGTH (λD): YELLOW 588 nm TYP. @ VF=5V  
 FORWARD CURRENT (IF): YELLOW 13mA TYP. @VF=5V

△ TRP CONNECTOR LOGO, PART NUMBER, DATE CODE, COUNTRY OF ORIGIN AND AGENCY APPROVAL MARKING IN APPROXIMATE LOCATION SHOWN. DATE CODE: YYWW WHERE YY IS YEAR, WW IS WORK WEEK, D IS DAY OF WEEK, WITH SUNDAY=1.

8. PART SHOULD BE RECOMMENDED FOR WAVE SOLDERING PROCESS, PREHEAT TEMPERATURE IS 120°C TO 160°C, 120 SECONDS TO 180 SECONDS, PEAK WAVE SOLDERING TEMPERATURE IS 260°C MAX, 10 SECONDS MAX.



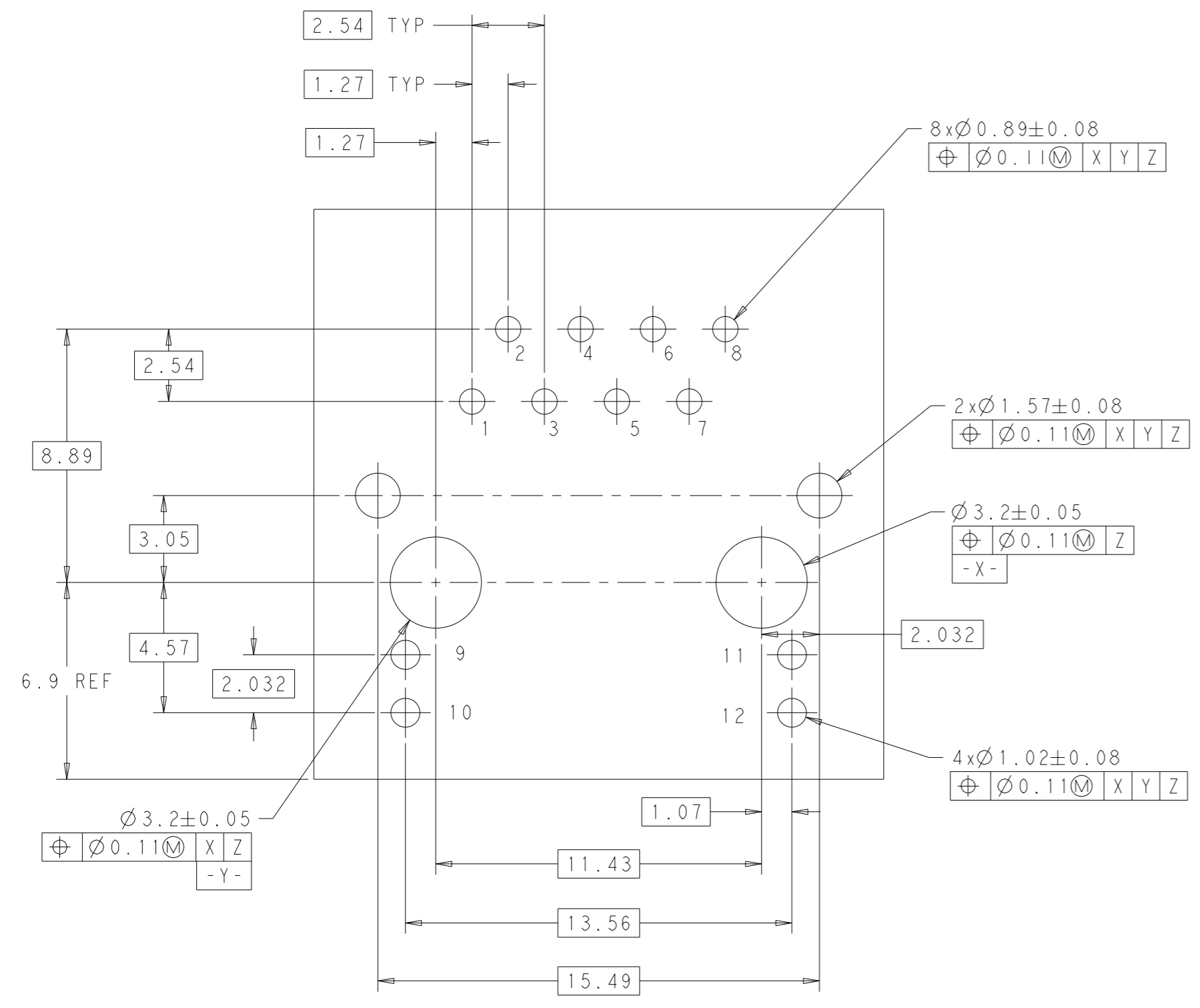
FOR 2250065-1  
2250065-2



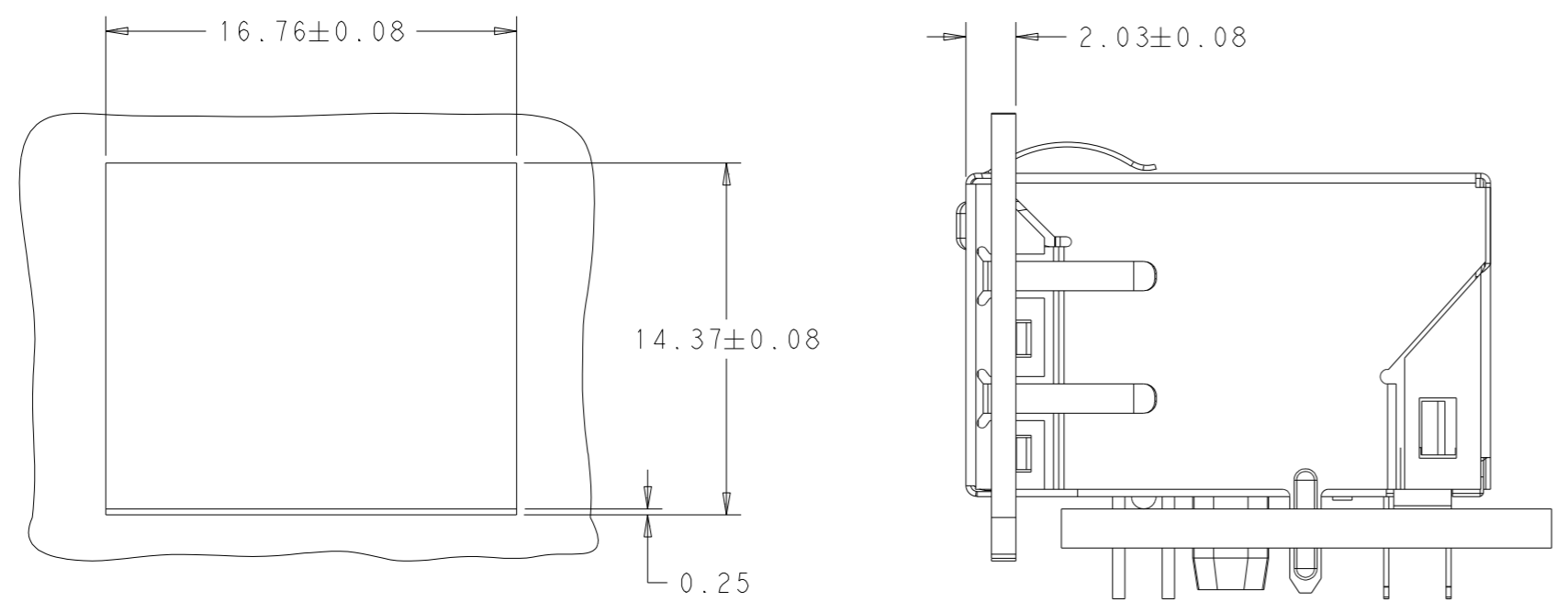
FOR 2250065-3

NO	GREEN	YES	YELLOW	YES	2250065-3
YES	YELLOW	NO	GREEN	NO	2250065-2
YES	GREEN	YES	YELLOW	YES	2250065-1
EMI FINGER	①	9	LED 1	11	LED 2
			250 OHMS RESISTOR		250 OHMS RESISTOR
PART NUMBER					
THIS DRAWING IS A CONTROLLED DOCUMENT.					
DIMENSIONS: mm		TOLERANCES UNLESS OTHERWISE SPECIFIED:		DWN ROY LIU 16DEC2013 CHK TOWER YU/FRANK LIU 16DEC2013 APVD TONY YUAN 16DEC2013 MODEL NAME: MAGJACK DESC: 1X1 726ET 10/100 TAB UP W/ LED SIZE: A1 CAGE CODE: - DRAWING NO: C=2250065 RESTRICTED TO: - CUSTOMER DRAWING: - SCALE: 4:1 SHEET: 1 OF 3 REV: 5	

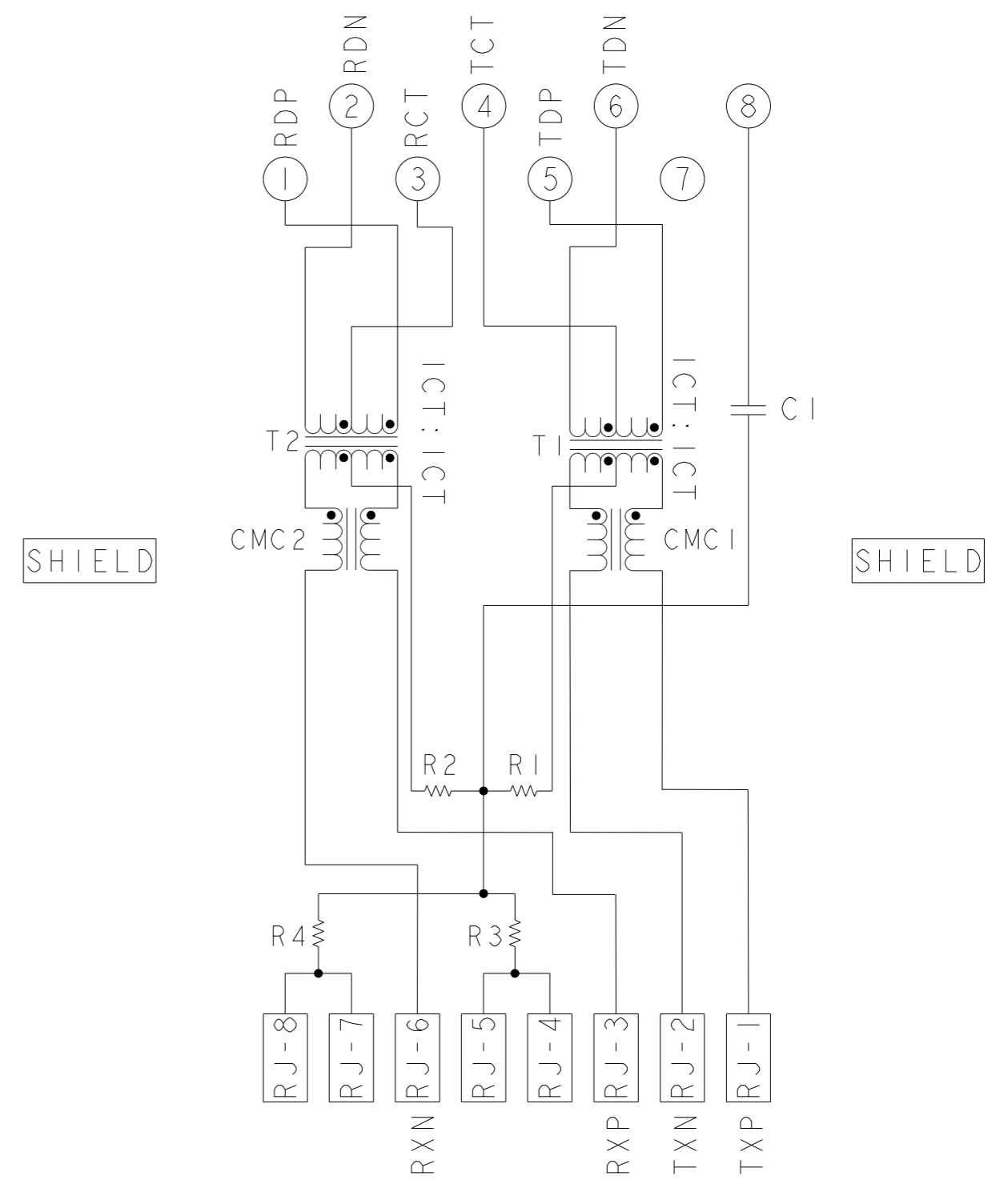
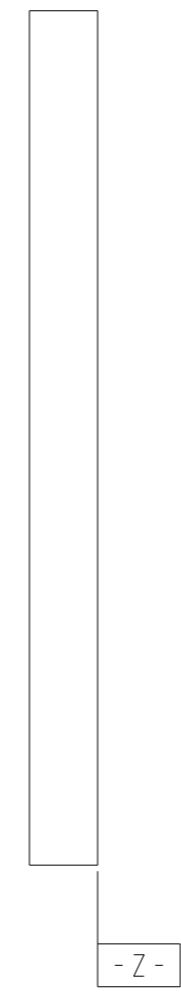
# 726ET 10/100 CIRCUIT



SUGGESTED PCB LAYOUT



SUGGESTED PANEL CUTOUT


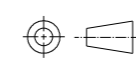


CI=1000pF, 2kV CAPACITOR  
 R1-R4 = 75 Ohms, 1/16 W RESISTORS

THIS DRAWING IS A CONTROLLED DOCUMENT.		OWN ROY LIU	16DEC2013	 DONGGUAN CHINA
DIMENSIONS: mm		CHK TOWER YU / FRANK LIU	16DEC2013	
TOLERANCES UNLESS OTHERWISE SPECIFIED:		APVD TONY YUAN	16DEC2013	
0 PLC ±0.25 1 PLC ±0.25 2 PLC ±0.25 3 PLC ±0.25 4 PLC ±0.25 ANGLES ±° APPLICATION SPEC ±°		MODEL NAME MAGJACK	DESC 1X1 726ET 10/100 TAB UP W/ LED	
PRODUCT SPEC		SINGLE NON-POE	SIZE A1	RESTRICTED TO
		CUSTOMER DRAWING	SCALE 4:1	SHEET 2 OF 3
			REV 5	

C_2250065					STOCK DISPOSITION			
REVISION HISTORY					A: CONTINUE AS IS		D: USE OLD FIRST	
					B: REWORK		E: PARTS TO CONFORM	
					C: SCRAP		F: OTHER	
DATE	REV	CHANGES	REASON	APPROVAL	INVENTORY (A,B,C,D,E,F)	WORK IN PROCESS (A,B,C,F)	SUPPLIER ORDERS (A,E,F)	OPEN CUST ORDERS (A,E,F)
16DEC2013	1	INITIAL RELEASE	-	TONY YUAN	-	-	-	-
20DEC2013	2	ADD DASH NUMBER 2250065-3	MARKET REQUIREMENT	TONY YUAN	-	-	-	-
13JAN2014	3	REFRESH MAGNETICS SPEC	ERROR CORRECTION	TONY YUAN	-	-	-	-
11FEB2014	4	ITEM BLOCK, CHANGE 2250063-3 TO 2250065-3	ERROR CORRECTION	TONY YUAN	-	-	-	-
04JAN2015	5	EC-1411035 COMPANY LOGO CHANGE	MARKET REQUEST	TONY YUAN	-	-	-	-

THIS DRAWING IS A CONTROLLED DOCUMENT.

DIMENSIONS: mm	TOLERANCES UNLESS OTHERWISE SPECIFIED:	0 PLC ±0.25 1 PLC ±0.25 2 PLC ±0.25 3 PLC ±0.25 4 PLC ±0.25 ANGLES ±°	APPROVED: TONY YUAN	DATE: 16DEC2013	 <b>trp CONNECTOR</b> a bel group DONGGUAN CHINA
	PRODUCT SPEC	APPLICATION SPEC	MODEL NAME: MAGJACK	DESC: 1X1 726ET 10/100 TAB UP W/ LED	
CUSTOMER DRAWING			SIZE: A1	CAGE CODE: C=2250065	RESTRICTED TO: -
			SCALE: 4:1	SHEET: 3 OF 3	REV: 5