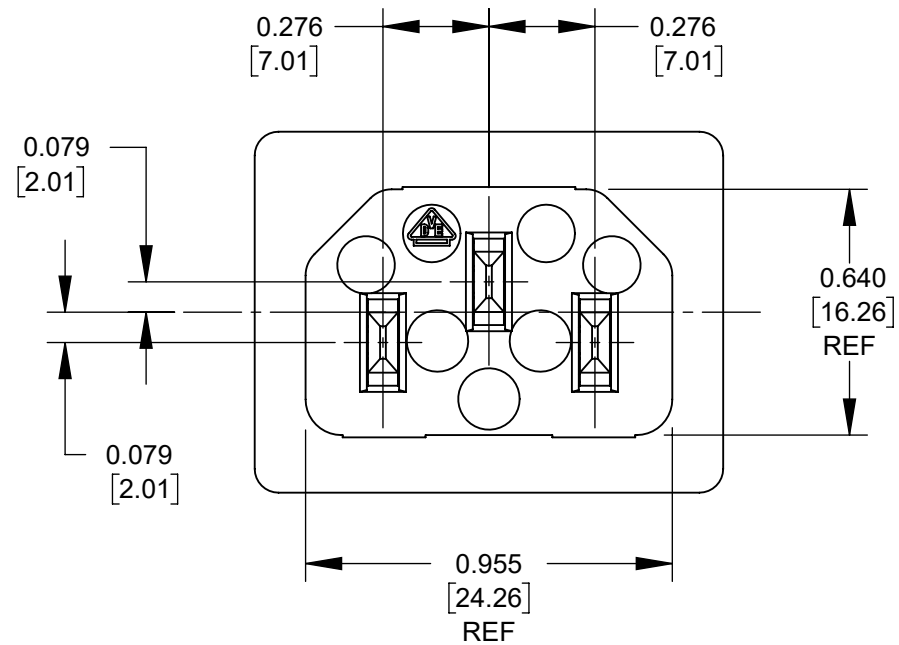
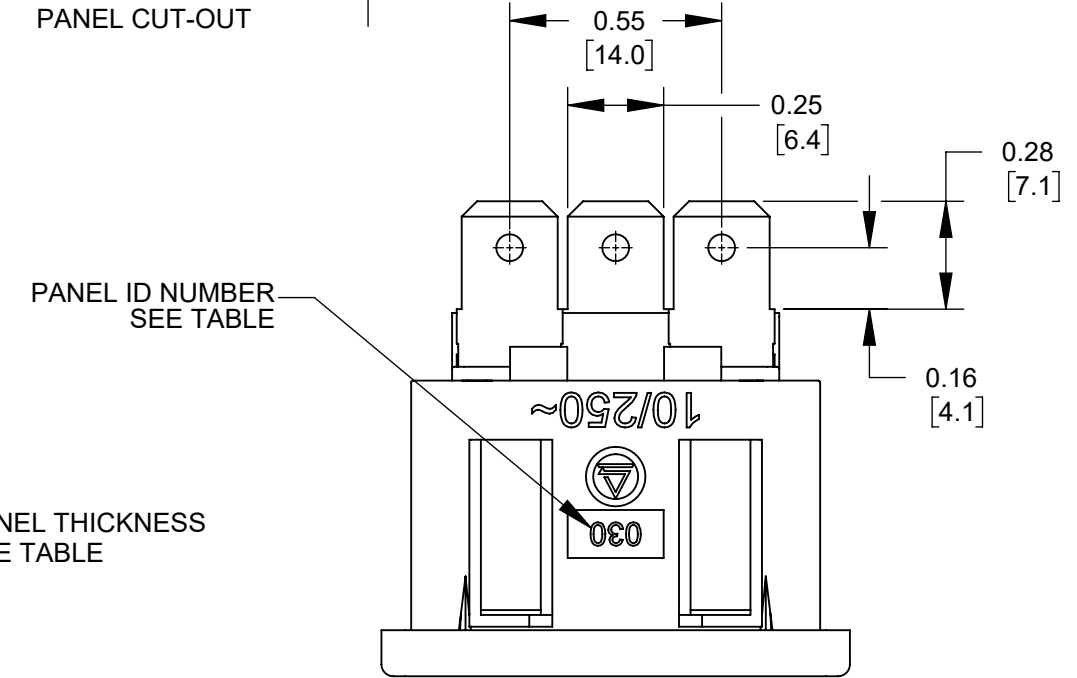
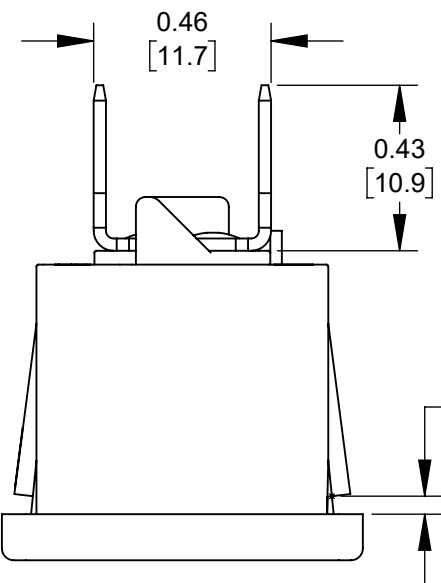
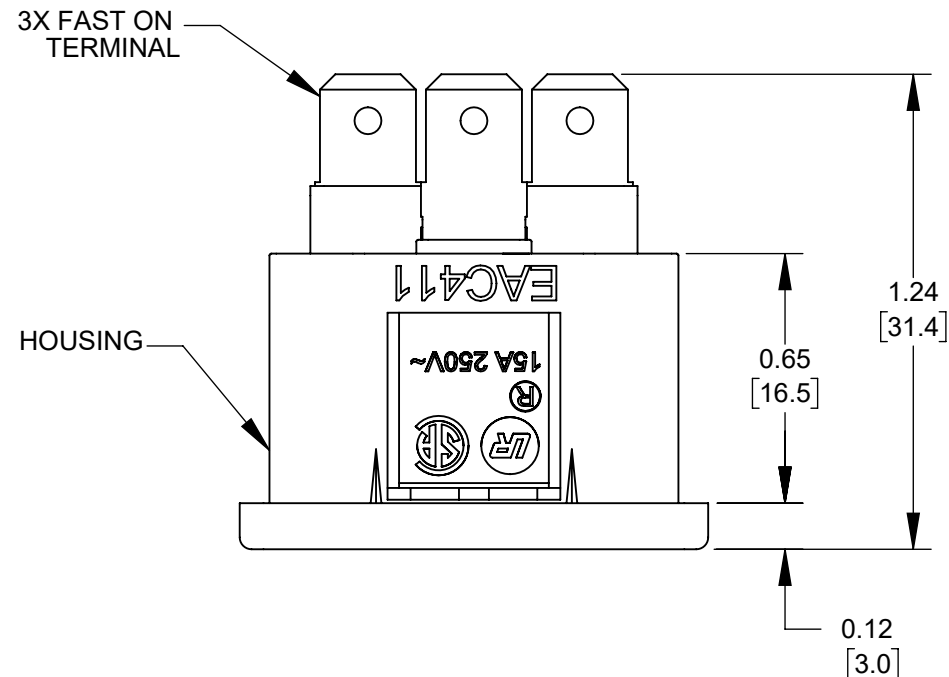
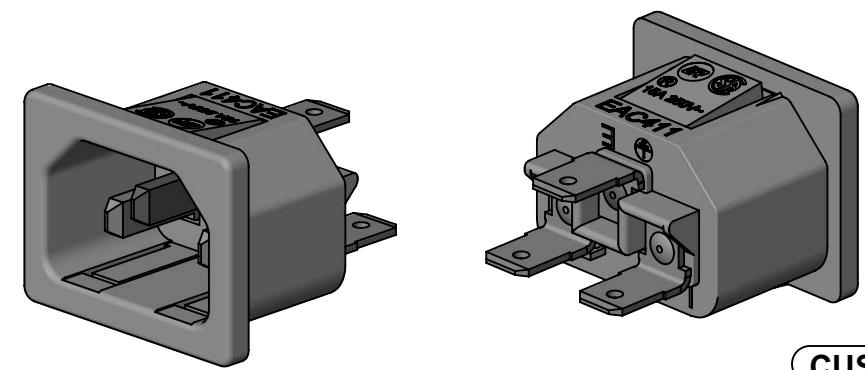


PART NUMBER	PANEL ID NUMBER	PANEL THICKNESS
EAC411030	030	0.030 - 0.040 [0.76 - 1.02]
EAC411040	040	0.040 - 0.050 [1.02 - 1.27]
EAC411050	050	0.050 - 0.060 [1.27 - 1.52]
EAC411060	060	0.060 - 0.070 [1.52 - 1.78]



- NOTES:
- 1. AGENCY APPROVAL & RATING:
UL & CSA: 15A 250V~
VDE: 10A, 250V
 - 2. MEETS IEC 60320 SPECIFICATION
 - 3. MATERIALS:
HOUSING: BLACK POLYESTER
TERMINALS: TIN PLATED COPPER ALLOY
CONTACT PINS: TIN PLATED COPPER ALLOY



CUSTOMER DRAWING

REV	ECO NUMBER	DATE	BY	APVD
M	28549	01/16/23	PC	TJK
L	26912	02/16/12	BL	TJK
K	24129	03/27/02	BL	TJK

UNLESS OTHERWISE SPECIFIED

1. ALL DIMENSIONS IN INCHES [mm]

- TWO PLACE DECIMALS ±0.02 [0.5]

- THREE PLACE DECIMALS ±0.005 [0.13]

DO NOT SCALE DRAWING

THIS DRAWING DESCRIBES A DESIGN CONSIDERED PROPRIETARY IN NATURE, DEVELOPED AND MANUFACTURED BY SWITCHCRAFT INC. AND IS RELEASED ON A CONFIDENTIAL BASIS FOR IDENTIFICATION PURPOSES ONLY.									
SIZE	WIDTH	MULT	LBS/M	TEMPER					
FINISH SPEC No.					MATERIAL SPEC No.				
FIRST USED ON					SCALE 2:1				
DATE DRAWN	BY	CHKD	APVD						
06/04/84	THS	AM	RV						
			02/23/87	02/23/87					
NAME			SNAP-IN MALE AC RECEPTACLE FAST ON TERMINALS			PART No.		REV	
						EAC411 SERIES		M	