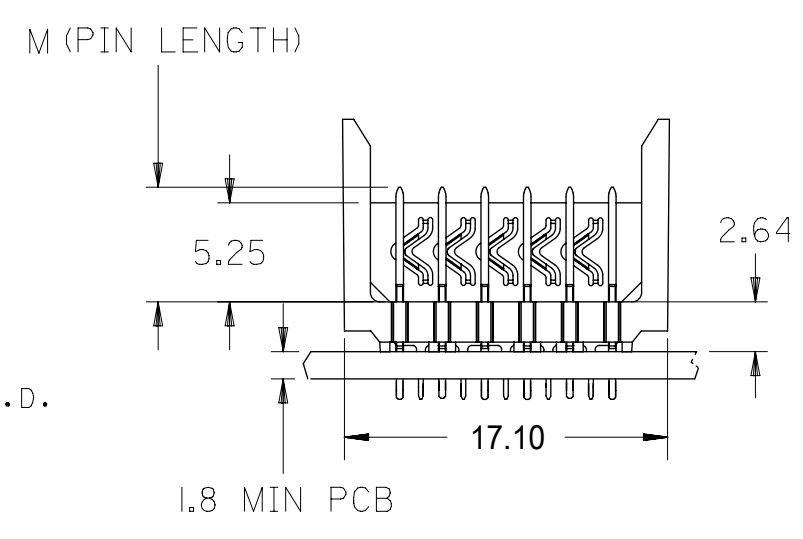
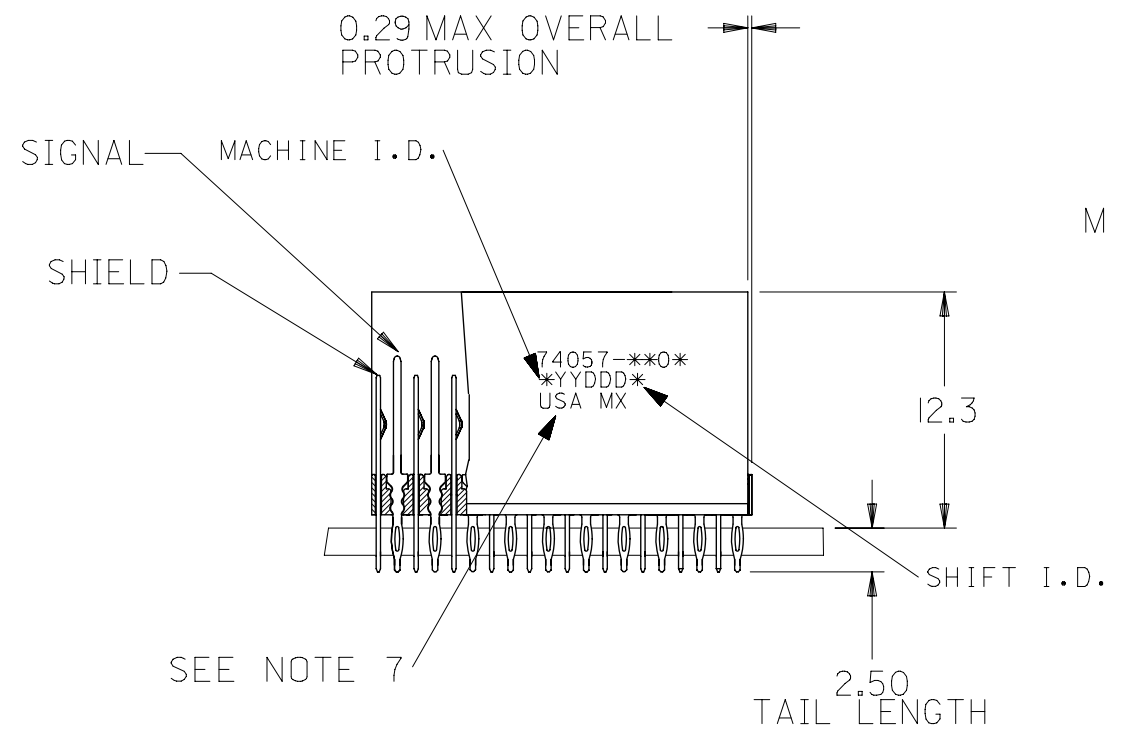


BACKPLANE HOLE PATTERN
RECOMMENDED DIMENSIONS



NOTES:

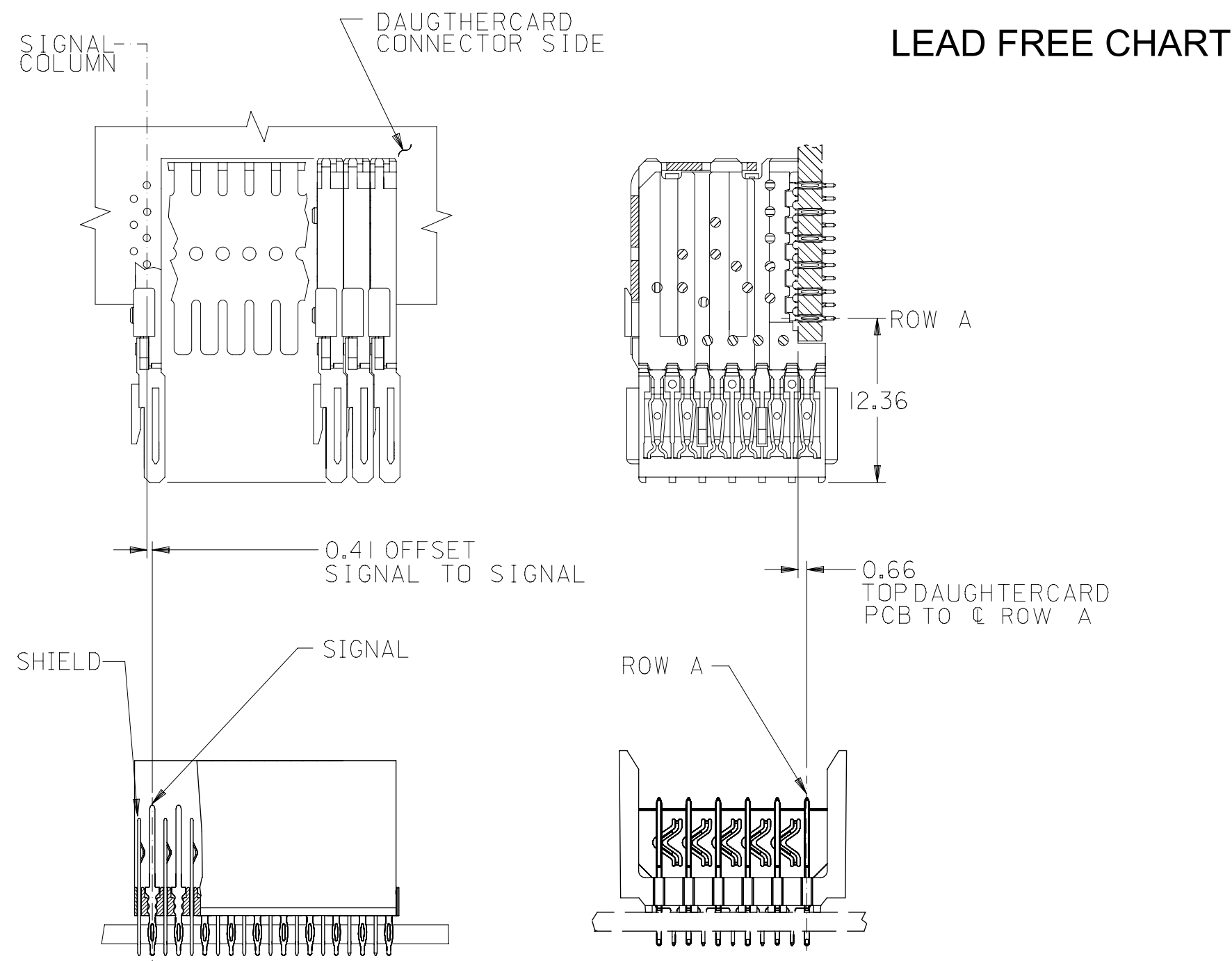
- MATERIALS:**
HOUSING - LIQUID CRYSTAL POLYMER (LCP),
GLASS-FILLED, UL 94V-0, COLOR: BLACK
SIGNAL PIN & SHIELD - COPPER ALLOY
- FINISHES:**
CONTACT AREA: SELECTIVE GOLD (Au)
PCB TAILS: SELECTIVE MATTE TIN (Sn)
NICKEL (Ni) OVERALL.
- THIS PART CONFORMS TO MOLEX PRODUCT SPECIFICATION PS-74031-999
- FOR MIXED CONTACT LENGTHS CONSULT MOLEX FOR AVAILABILITY
- FOR SPECIFIC MATERIAL NUMBERS & MATING INFORMATION REFER TO SHEET 2
- PACKAGE PER PK-74057-003
- EITHER MARK PART WITH PART NUMBER & DATE CODE APPROXIMATELY WHERE SHOWN OR PLACE LABEL ON THE TUBE.
- MAPS (MOLEX ADVANCED PLATING SYSTEM)

THIS DRAWING CONTAINS INFORMATION THAT IS PROPRIETARY TO MOLEX ELECTRONIC TECHNOLOGIES, LLC AND SHOULD NOT BE USED WITHOUT WRITTEN PERMISSION									
DIMENSION UNITS		SCALE		CURRENT REV DESC: OBSOLETE PART NUMBERS					
mm		2.5:1		<p>molex</p> <p>VHDM 6 ROW OPEN END BACKPLANE SALES ASSEMBLY</p> <p>PRODUCT CUSTOMER DRAWING</p> <p>DOCUMENT NUMBER: SD-74057-002 DOC TYPE: PSD DOC PART: 001 REVISION: N2</p> <p>EC NO: 661197 DRWN: SANTHN 2021/02/10</p> <p>CHK'D: GGA 2021/04/26</p> <p>APPR: GGA 2021/04/26</p> <p>INITIAL REVISION:</p> <p>DRWN: MWANG 1998/11/09</p> <p>APPR: SMILLER 2012/05/23</p> <p>DRAWING: C-SIZE SERIES: 74057</p> <p>MATERIAL NUMBER: SEE TABLE CUSTOMER: GENERAL MARKET SHEET NUMBER: 1 OF 2</p>					
GENERAL TOLERANCES (UNLESS SPECIFIED)									
	MM		INCH						
4 PLACES	±		±						
3 PLACES	±		±						
2 PLACES	±	0.25	±						
1 PLACE	±	0.38	±						
0 PLACES	±		±						
ANGULAR TOL ± 0.5 °									
DRAFT WHERE APPLICABLE MUST REMAIN WITHIN DIMENSIONS									

PART NUMBER	COLUMN	NUMBER OF SIGNAL PIN	NUMBER OF SHIELD	A	B	M	GOLD THICKNESS MICROMETER	TIN THICKNESS MICROMETER			
74057-6001	10	60	10	20.00	18.00	4.75	0.25 MAPS	0.76-1.52			
74057-9001							0.76				
74057-9006							1.27				
74057-6501	15	90	15	30.00	28.00		0.25 MAPS				
74057-9501							0.76				
74057-9506							1.27				
74057-7001	25	150	25	50.00	48.00	0.25 MAPS					
74057-8506						1.27					
74057-6002						0.25 MAPS					
74057-9002	10	60	10	20.00	18.00	0.76					
74057-9007						1.27					
74057-6502						0.25 MAPS					
74057-9502	15	90	15	30.00	28.00	0.76					
74057-9507						1.27					
74057-7002						0.25 MAPS					
74057-8502	25	150	25	50.00	48.00	0.76					
74057-8507						1.27					
74057-6003						0.25 MAPS					
74057-9003	10	60	10	20.00	18.00	0.76					
74057-9008						1.27					
74057-6503						0.25 MAPS					
74057-9503	15	90	15	30.00	28.00	0.76					
74057-9508						1.27					
74057-7003						0.25 MAPS					
74057-8508	25	150	25	50.00	48.00	1.27					
74057-9009						10	60	10	20.00	18.00	1.27
74057-6504						15	90	15	30.00	28.00	0.25 MAPS
74057-9504	0.76										
74057-9509	1.27										
74057-8504	25	150	25	50.00	48.00	0.76					
74057-8509						1.27					

PART NUMBER	COLUMN	NUMBER OF SIGNAL PIN	NUMBER OF SHIELD	A	B	M	GOLD THICKNESS MICROMETER	TIN THICKNESS MICROMETER
74057-1001	10	60	10	20.00	18.00	4.75	0.76	0.76-1.52
74057-1006							1.27	
74057-1501							15	
74057-1506	1.27							
74057-2506	1.27							
74057-1002	10	60	10	20.00	18.00		6.25	
74057-1502	15	90	15	30.00	28.00	0.76		
74057-1507						1.27		
74057-1008	10	60	10	20.00	18.00	4.25	1.27	
74057-1503	15	90	15	30.00	28.00		0.76	
74057-1508							1.27	
74057-2508	25	150	25	50.00	48.00	5.15	1.27	
74057-1004	10	60	10	20.00	18.00		0.76	
74057-1009							1.27	
74057-1504	15	90	15	30.00	28.00	0.76		
74057-1509						1.27		

**LEAD FREE
(FORMERLY TIN/LEAD) CHART**



74057 — * * 0 *

NUMBER OF COLUMNS/PLATING

10 = 10 COLUMN MATTE TIN (FORMERLY TIN/LEAD)
 15 = 15 COLUMN MATTE TIN (FORMERLY TIN/LEAD)
 25 = 25 COLUMN MATTE TIN (FORMERLY TIN/LEAD)
 60 = 10 COLUMN MATTE TIN (MAPS)
 65 = 15 COLUMN MATTE TIN (MAPS)
 70 = 25 COLUMN MATTE TIN (MAPS)
 90 = 10 COLUMN MATTE TIN
 95 = 15 COLUMN MATTE TIN
 85 = 25 COLUMN MATTE TIN

PIN HEIGHT

1 & 6 = 4.75
 2 & 7 = 6.25
 3 & 8 = 4.25
 4 & 9 = 5.15

THIS DRAWING CONTAINS INFORMATION THAT IS PROPRIETARY TO MOLEX ELECTRONIC TECHNOLOGIES, LLC AND SHOULD NOT BE USED WITHOUT WRITTEN PERMISSION									
DIMENSION UNITS		SCALE		CURRENT REV DESC: OBSOLETE PART NUMBERS					
mm		2.5:1		molex VHDM 6 ROW OPEN END BACKPLANE SALES ASSEMBLY PRODUCT CUSTOMER DRAWING					
GENERAL TOLERANCES (UNLESS SPECIFIED)									
	MM	INCH							
4 PLACES	±	±							
3 PLACES	±	±		EC NO: 661197	2021/02/10	DOCUMENT NUMBER: SD-74057-002 DOC TYPE: PSD DOC PART: 001 REVISION: N2			
2 PLACES	±	0.25	±	DRWN: SANTHN	2021/04/26				
1 PLACE	±	0.38	±	CHK'D: GGA	2021/04/26				
0 PLACES	±	±	±	APPR: GGA	2021/04/26				
ANGULAR TOL ± 0.5 °				INITIAL REVISION:					
DRAFT WHERE APPLICABLE MUST REMAIN WITHIN DIMENSIONS				DRWN: MWANG		1998/11/09			
				APPR: SMILLER		2012/05/23			
THIRD ANGLE PROJECTION		DRAWING		SERIES		MATERIAL NUMBER			
C-SIZE		74057		SEE TABLE		CUSTOMER			
				GENERAL MARKET		SHEET NUMBER			
				2 OF 2					