

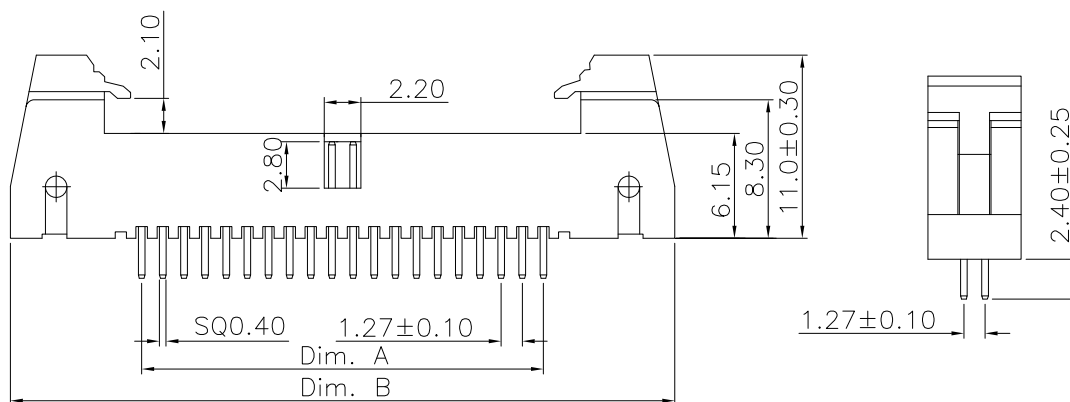
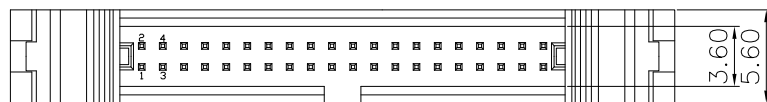
1

2

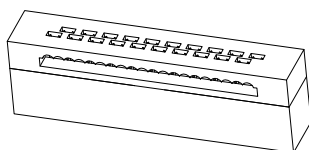
3

4

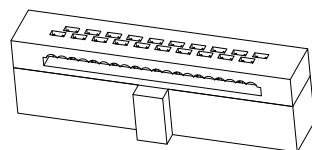
5



MATING PART  
3230-XX-0101-00



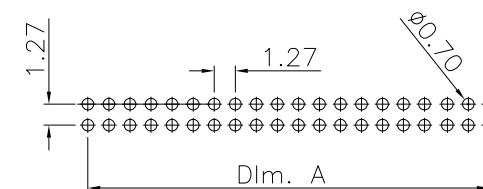
MATING PART  
3230-XX-0102-00



Specifications:  
 Current rating:1.0A  
 Voltage rating:50V AC,DC  
 Contact resistance:20m ohm Max  
 Insulation resistance:1,000M ohm Min  
 Withstanding voltage:500V AC/minute  
 Operating Temperature:-40°C ~ +105°C

Materials:  
 Insulator:Nylon6T (UL94V-0)  
 Standard Color:Black  
 Contact:Brass  
 Plating:Gold Plated Over Nickel

Circuits	DIM		Circuits	DIM	
	A	B		A	B
10	5.08	20.70	40	24.13	39.75
16	8.89	24.51	44	26.67	42.29
20	11.43	27.05	50	30.48	46.10
26	15.24	30.86	60	36.83	52.45
30	17.78	33.40	68	41.91	57.53
34	20.32	35.94			



P.C.B Layout

RoHS Compliant

DRAWN:

GENERAL TOLERANCE:

.X=±0.20  
.XX=±0.15

**CnC Tech**

Industrial Cable and Connector Technology

CHECKED:

UNIT: MM

DESCRIPTION:

1.27mm Shrouded Header Straight Type

SIZE

APPROVAL:

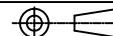
SCALE:1:1

PART NO:

3210-XX-001-12-00

A4

PROJECTION:



REV

DATE

FILE

BY

05-FEB-2020

A

B

C

D