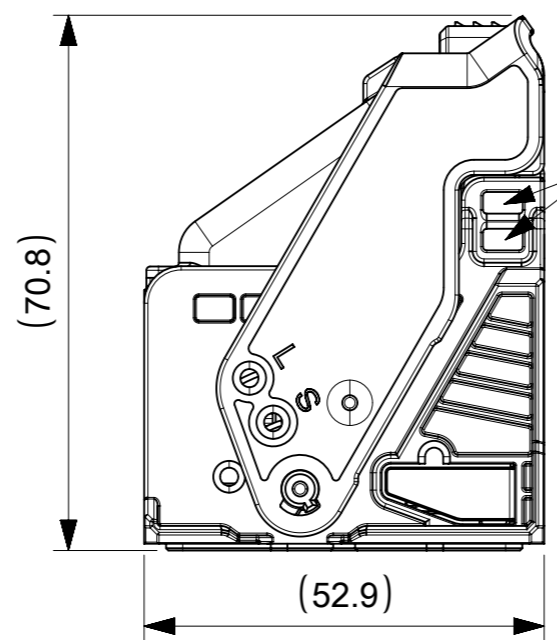
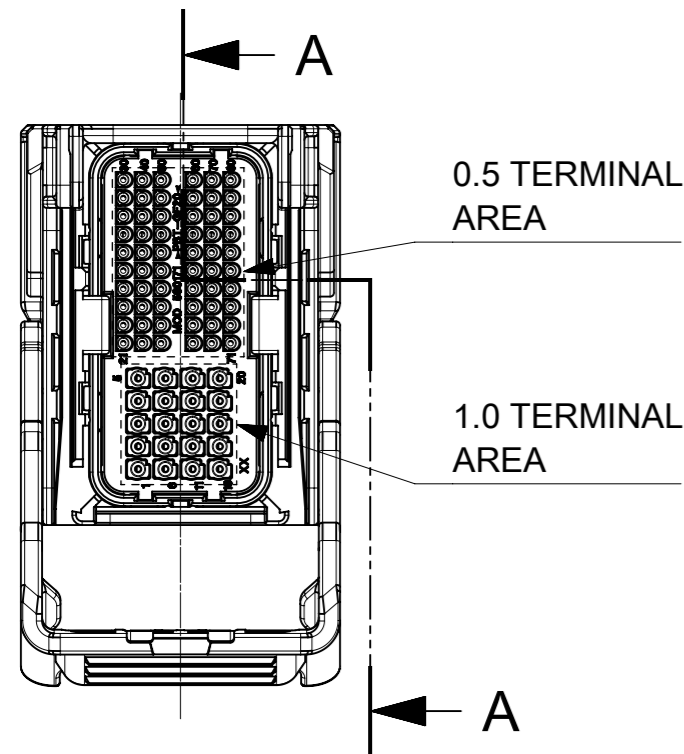
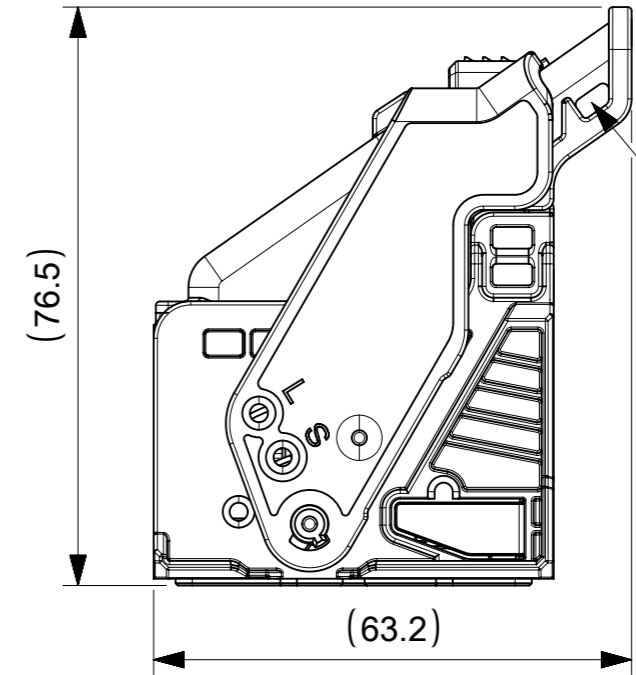


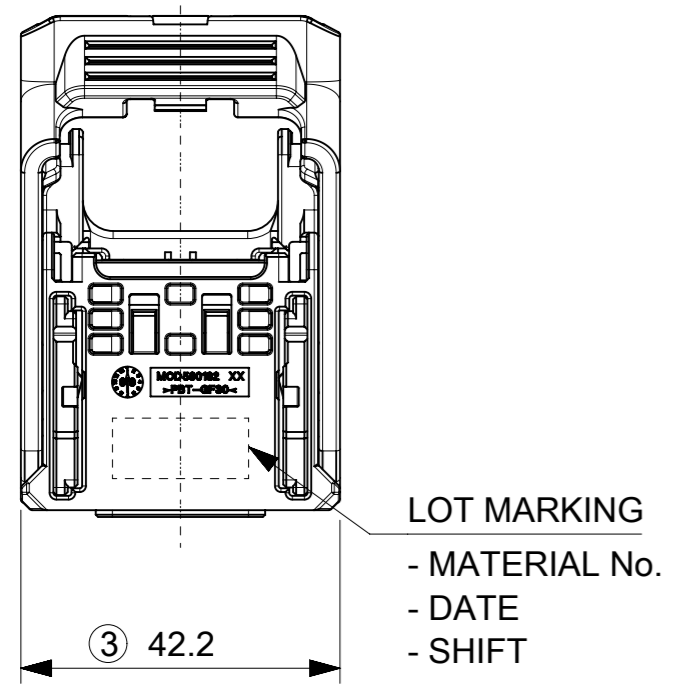
WIRE DRESS COVER OPTION



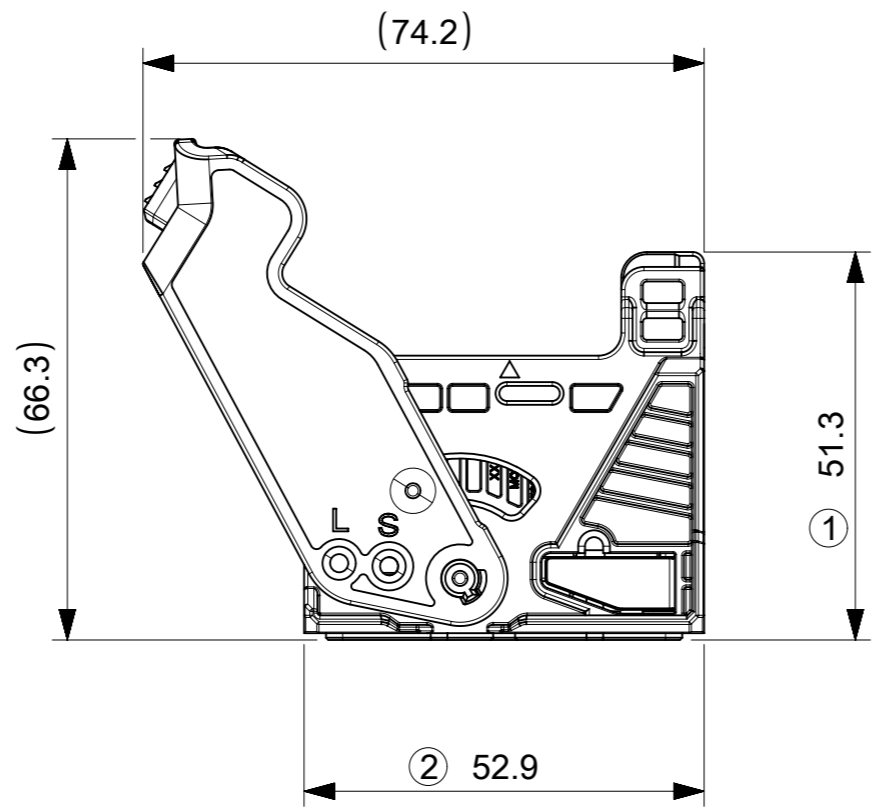
SHORT WIRE DRESS COVER



LONG WIRE DRESS COVER



LOT MARKING
- MATERIAL No.
- DATE
- SHIFT



NOTES

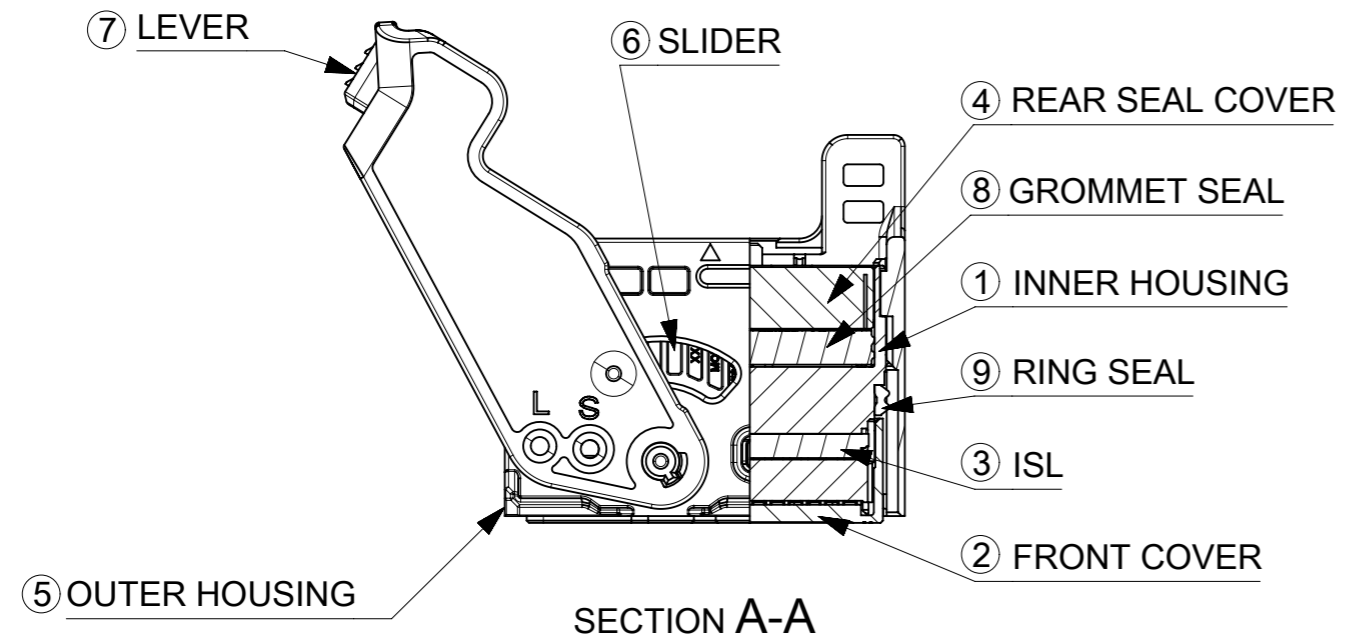
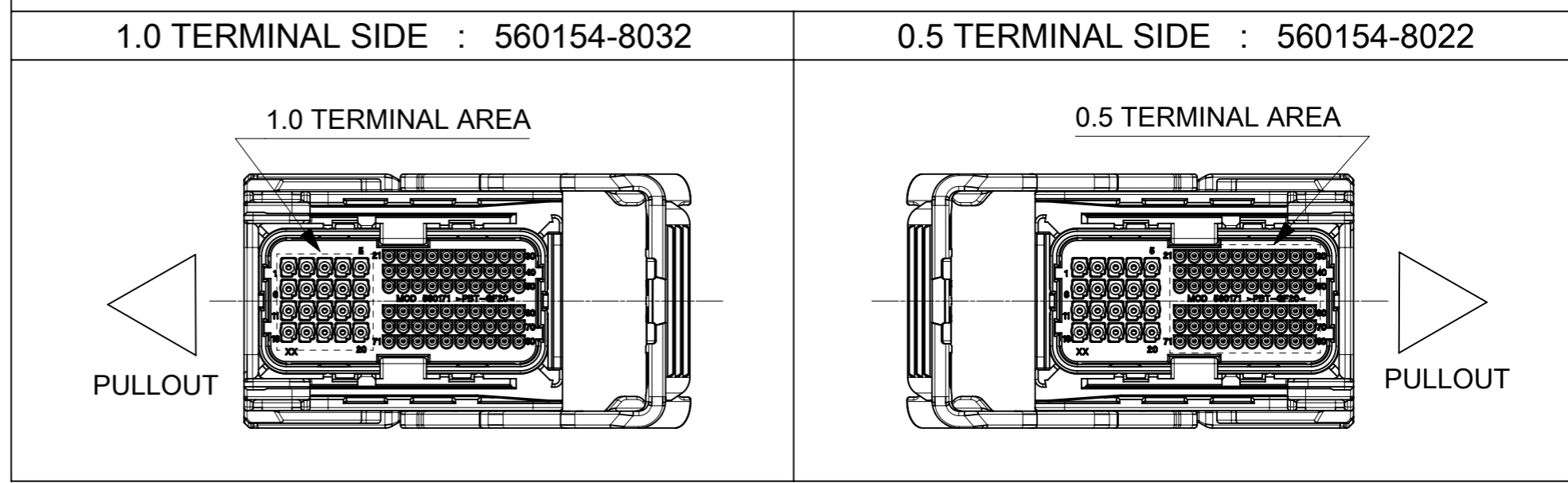
- 1. APPLICABLE TERMINAL
0.5 : 560121 SERIES
1.0 : 560205 SERIES
- 2. APPLICABLE WIRE SIZE
0.5 : REFER AS-560121-001
1.0 : REFER AS-560205-001
- 3. APPLICABLE INSULATION DIAMETER
0.5 : $\varnothing 1.1 \sim 1.7$ mm
1.0 : $\varnothing 1.25 \sim 2.3$ mm
- 4. APPLICABLE DUMMY PLUG
0.5 : 560144-0115
1.0 : 503131-0151
- 5. APPLICABLE WIRE DRESS COVER
SHORT : 560190-0101
LONG : 560190-0111

0.5 TERMINAL SIDE	560154-8022
1.0 TERMINAL SIDE	560154-8032
WIRE PULLOUT DIRECTION	MATERIAL No.

GENERAL TOLERANCES (UNLESS SPECIFIED)		
10 UNDER	± 0.3	
10 OVER 30 UNDER	± 0.4	
30 OVER	± 0.5	
ANGULAR	$\pm 5^\circ$	

THIS DRAWING CONTAINS INFORMATION THAT IS PROPRIETARY TO MOLEX ELECTRONIC TECHNOLOGIES, LLC AND SHOULD NOT BE USED WITHOUT WRITTEN PERMISSION		CURRENT REV DESC:		molex	
DIMENSION UNITS	SCALE	EC NO: 620306			
mm	1:1	DRWN: KKATO01 2019/05/29		COMPACTUS 80WAY ASSY	
GENERAL TOLERANCES (UNLESS SPECIFIED)		CHK'D: TIIDA01 2019/07/17			
ANGULAR TOL	\pm	APPR: TOSADA 2019/07/18		PRODUCT CUSTOMER DRAWING	
4 PLACES	\pm	INITIAL REVISION:			
3 PLACES	\pm	DRWN: KKATO01 2019/05/29		DOCUMENT NUMBER	
2 PLACES	\pm	APPR: TOSADA 2019/07/18		5601540002-SD	
1 PLACE	\pm	SERIES		DOC TYPE	
0 PLACES	\pm	A3-SIZE		PSD	
DRAFT WHERE APPLICABLE MUST REMAIN WITHIN DIMENSIONS		THIRD ANGLE PROJECTION		DOC PART	
		DRAWING		000	
		SERIES		REVISION	
		560154		A	
		MATERIAL NUMBER		SHEET NUMBER	
		SEE TABLE		1 OF 2	
		CUSTOMER			
		GENERAL			

WIRE PULLOUT DIRECTION



No.	PRODUCT NAME	MATERIAL	COLOR
1	INNER HOUSING	PBT, UNFILLED	BLACK
2	FRONT COVER	PBT, GLASS-FILLED	BLACK
3	ISL	PBT, GLASS-FILLED	NATURAL (WHITE)
4	REAR SEAL COVER	PBT, GLASS-FILLED	BLACK
5	OUTER HOUSING	PBT, GLASS-FILLED	BLACK
6	SLIDER	PA, GLASS-FILLED	NATURAL (WHITE)
7	LEVER	PBT, GLASS-FILLED	DARK GRAY
8	GROMMET SEAL	SILICONE RUBBER	BROWN
9	RING SEAL	SILICONE RUBBER	RED-BROWN

THIS DRAWING CONTAINS INFORMATION THAT IS PROPRIETARY TO MOLEX ELECTRONIC TECHNOLOGIES, LLC AND SHOULD NOT BE USED WITHOUT WRITTEN PERMISSION

DIMENSION UNITS mm	SCALE 1:1	CURRENT REV DESC:	molex			
GENERAL TOLERANCES (UNLESS SPECIFIED)						
ANGULAR TOL ± °		EC NO: 620306	COMPACTUS 80WAY ASSY			
4 PLACES ±		DRWN: KKATO01 2019/05/29				
3 PLACES ±		CHK'D: TIIDA01 2019/07/17	PRODUCT CUSTOMER DRAWING			
2 PLACES ±		APPR: TOSADA 2019/07/18				
1 PLACE ±		INITIAL REVISION:	DOCUMENT NUMBER	DOC TYPE	DOC PART	REVISION
0 PLACES ±		DRWN: KKATO01 2019/05/29	5601540002-SD	PSD	000	A
DRAFT WHERE APPLICABLE MUST REMAIN WITHIN DIMENSIONS	THIRD ANGLE PROJECTION	DRAWING	SERIES	MATERIAL NUMBER	CUSTOMER	SHEET NUMBER
		A3-SIZE	560154	SEE TABLE	GENERAL	2 OF 2