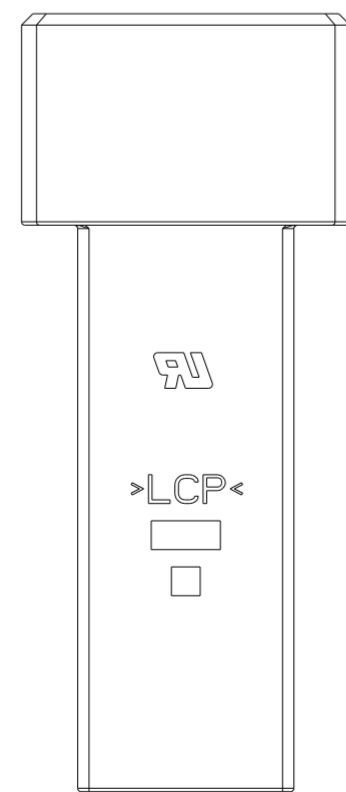
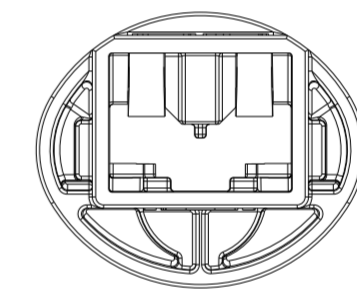
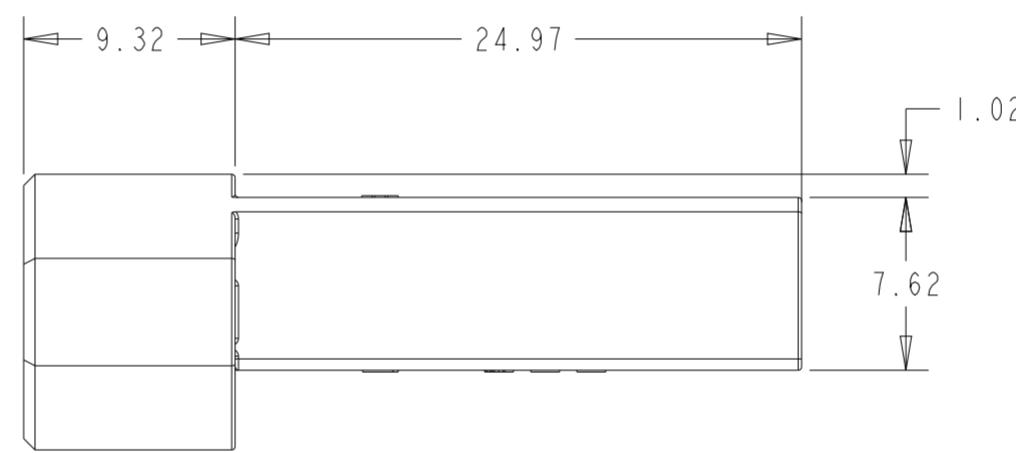
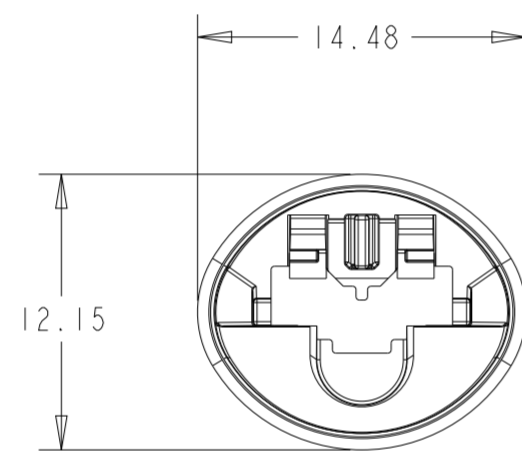
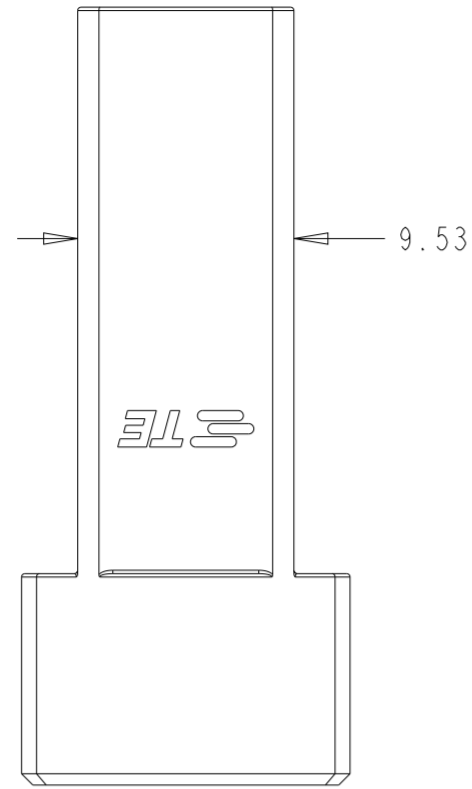


REVISIONS

P	LTR	DESCRIPTION	DATE	DWN	APVD
A		RELEASED PER ECN-20-100892	15DEC2020	BKW	DS
AI		REVISED PER ECN-21-100262	19JAN2021	BKW	DS
B		REVISED PER ECN-21-101981	06APR2021	BKW	DS

△ ALL DIMENSIONS ARE REFERENCE

2. APPLICABLE TERMINALS:  
250 SERIES MARK II POSITIVE-LOCK RECEPTACLES



LCP UL94 V-0, COLOR: BLACK	2238266-1
MATERIAL	PART NUMBER

THIS DRAWING IS A CONTROLLED DOCUMENT.		DWN B. WEAVER 18AUG2020	TE Connectivity																			
DIMENSIONS: mm		CHK D. SHUKLA 18AUG2020																				
TOLERANCES UNLESS OTHERWISE SPECIFIED:		APVD W. MOYER 18AUG2020	NAME HOUSING, RECEPTACLE, POSITIVE LOCK, (1 POSN), 250 SERIES																			
<table border="1"> <tr> <td>0 PLC</td> <td>±</td> <td rowspan="4">△</td> </tr> <tr> <td>1 PLC</td> <td>±</td> </tr> <tr> <td>2 PLC</td> <td>±</td> </tr> <tr> <td>3 PLC</td> <td>±</td> </tr> <tr> <td>4 PLC</td> <td>±</td> <td></td> </tr> <tr> <td>ANGLES</td> <td>±</td> <td></td> </tr> <tr> <td>FINISH</td> <td></td> <td></td> </tr> </table>		0 PLC	±	△	1 PLC	±	2 PLC	±	3 PLC	±	4 PLC	±		ANGLES	±		FINISH			PRODUCT SPEC -	RESTRICTED TO -	
0 PLC	±	△																				
1 PLC	±																					
2 PLC	±																					
3 PLC	±																					
4 PLC	±																					
ANGLES	±																					
FINISH																						
MATERIAL SEE TABLE		APPLICATION SPEC -	SIZE A2	CAGE CODE 00779																		
		WEIGHT -	DRAWING NO C-2238266																			
		CUSTOMER DRAWING	SCALE 3:1	SHEET 1 OF 1																		
				REV B																		