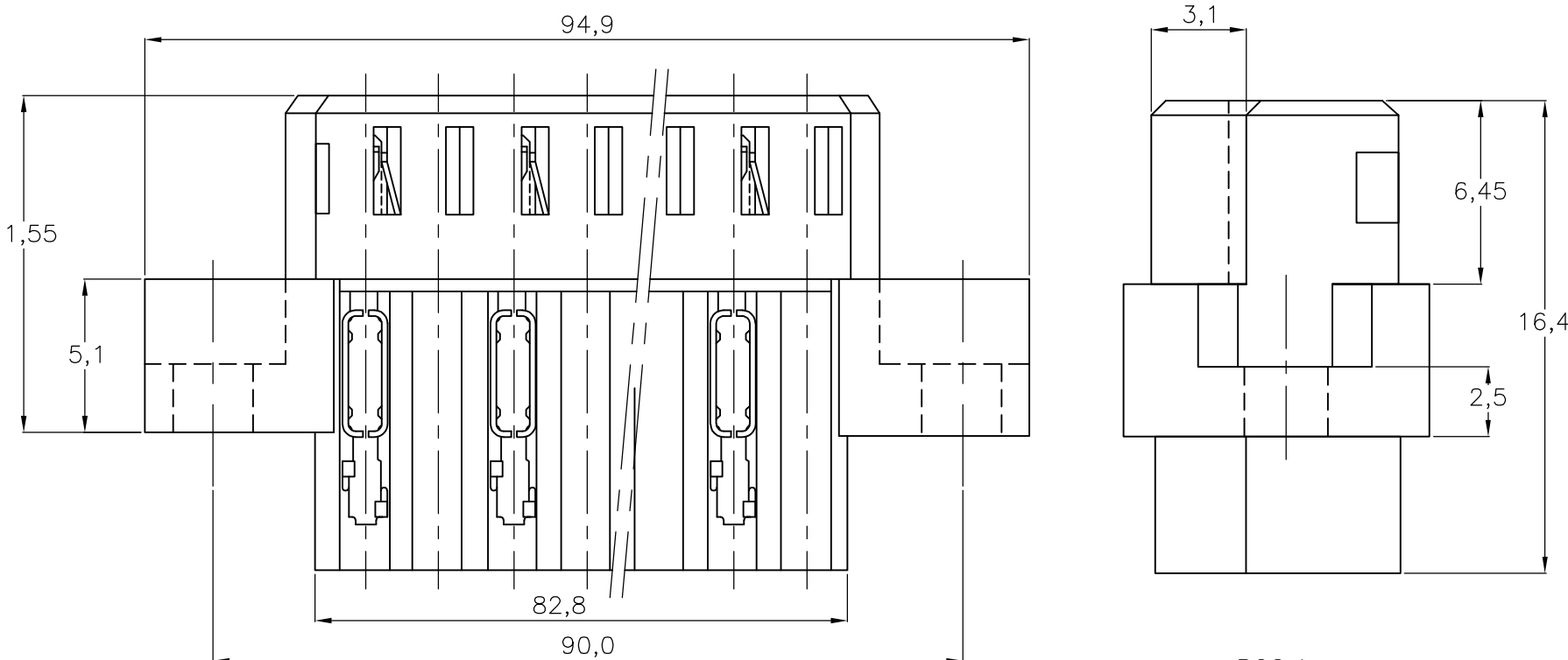
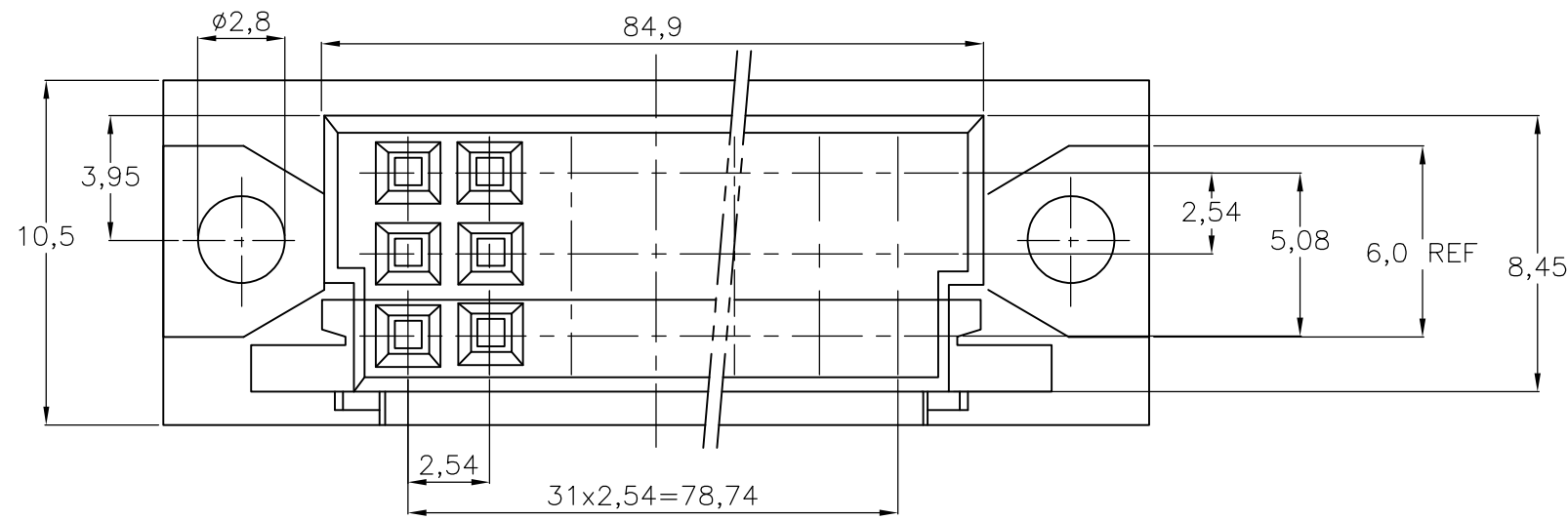


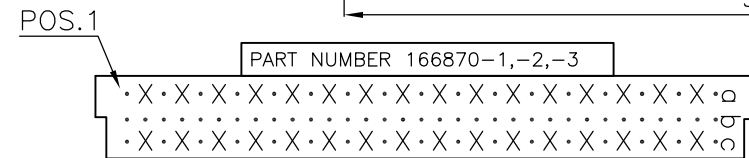
THIS DRAWING IS UNPUBLISHED. RELEASED FOR PUBLICATION
 © COPYRIGHT BY TYCO ELECTRONICS CORPORATION. ALL INTERNATIONAL RIGHTS RESERVED.

LOC	DIST	REVISIONS					
		P	LTR	DESCRIPTION	DATE	DWN	APVD
H	—	G	—	ECR-06-12362	23-05-06	BM	JB
		G1	—	ECR-08-014461	22-10-08	AEG	WRV

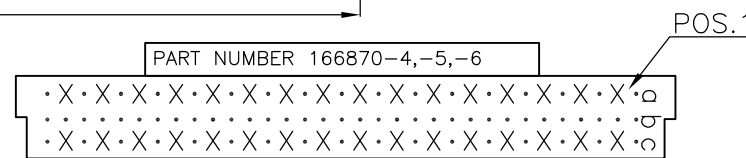


NOTES:

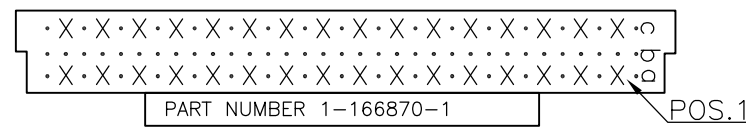
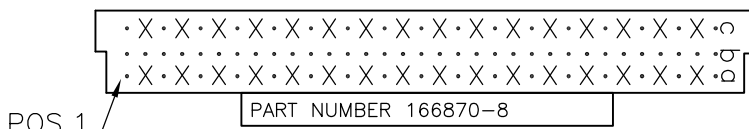
1. COVER PN. B26196-1 CAN BE USED.
2. CONNECTOR PRINTED WITH PARTNUMBER 166870-...



AN ASTERISK "X" DENOTES R CONTACT.



VIEW FROM CONNECTOR MATING SIDE.



Part Number	Housing	Contacts	Contact area
166870-1	Glassfilled Polyester (Gray)	Phosphorbronze	2 μ Au over 12.5 μ Ni Remainder TIN plating
166870-2	SAME AS -1		SAME AS -1 ONLY ON CONTACT AREA 0.8 μ Au OVER 12.5 μ Ni
166870-3	SAME AS -1		SAME AS -1 ONLY ON CONTACT AREA 1.25 μ Au OVER 12.5 μ Ni
166870-4	SAME AS -1		SAME AS -1
166870-5			SAME AS -2
166870-6			SAME AS -3
1-166870-1			SAME AS -2
166870-8			SAME AS -2
PARTNUMBER	MATERIAL		PLATING

THIS DRAWING IS A CONTROLLED DOCUMENT.

DWN	J.V.GRUNSVEN	08JUL82
CHK	—	08JUL82
APVD	—	—
PRODUCT SPEC	—	—
APPLICATION SPEC	—	—
WEIGHT	—	—

Tyco Electronics Tyco Electronics Corporation
 's-Hertogenbosch, Nederland

2x16 POS BACK PANEL M.T.CONNCTOR

SIZE	A3	CAGE CODE	00779	DRAWING NO	166870	RESTRICTED TO	—
CUSTOMER DRAWING	SCALE	NTS	SHEET	1 OF 1	REV	G1	