

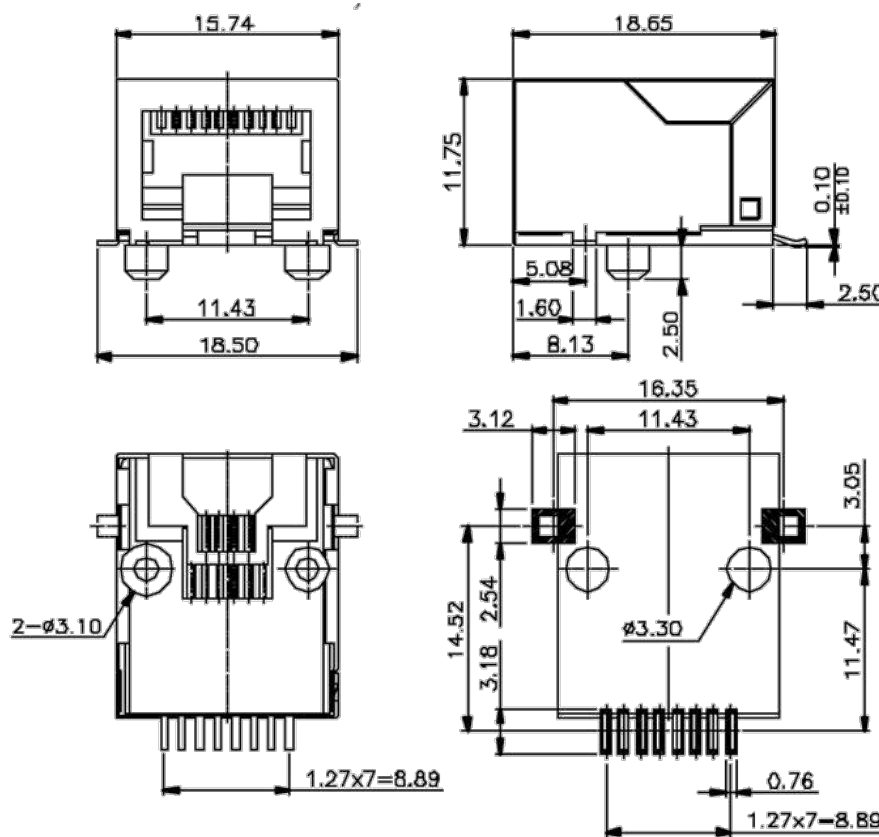


**Very Low Profile PCB Jack(Side Entry,Shielded W/Tab SMT)**

**Materials**

Housing: Nyloy 66 UL94V-0 Black  
 Contacts: 0.35mm thickness alloy, gold plating over nickel in contact area  
 Tin Plating over nickel in solder area

For RoHS compliant parts contact the factory for new part numbers



**Order Information**

**33TS3004 ST - 88 B SMT 1**  
 1 2 3 4 5 6

- |  |   |  |
|--|---|--|
| <b>1. Series No.</b><br>33TS3004   | <b>2.Contact Type</b><br>ST : Grounding tab of shield | <b>3. No. Of Contacts</b><br>88:8P8C<br>1010:10P10C                |
| <b>4. Gold Plating</b><br>B: 6 $\mu$ "<br>For other plating options<br>contact factory | <b>5. Terminal Version</b><br>SMT type                | <b>6. Packaging</b><br>1: Packed in tray<br>2: Tape & reel request |

Order Information	Order Number
33TS3004ST-88BSMT1	33TS3004ST-88001
33TS3004ST-88BSMT2	33TS3004ST-88002
33TS3004ST-1010BSMT1	33TS3004ST-10101
33TS3004ST-1010BSMT2	33TS3004ST-10102