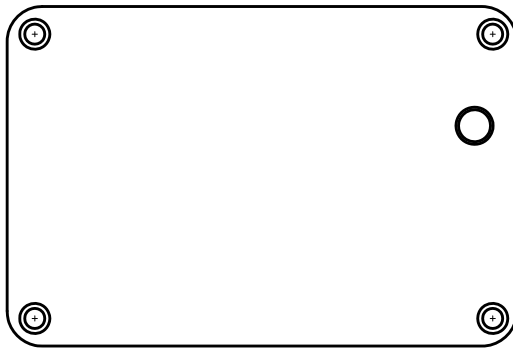
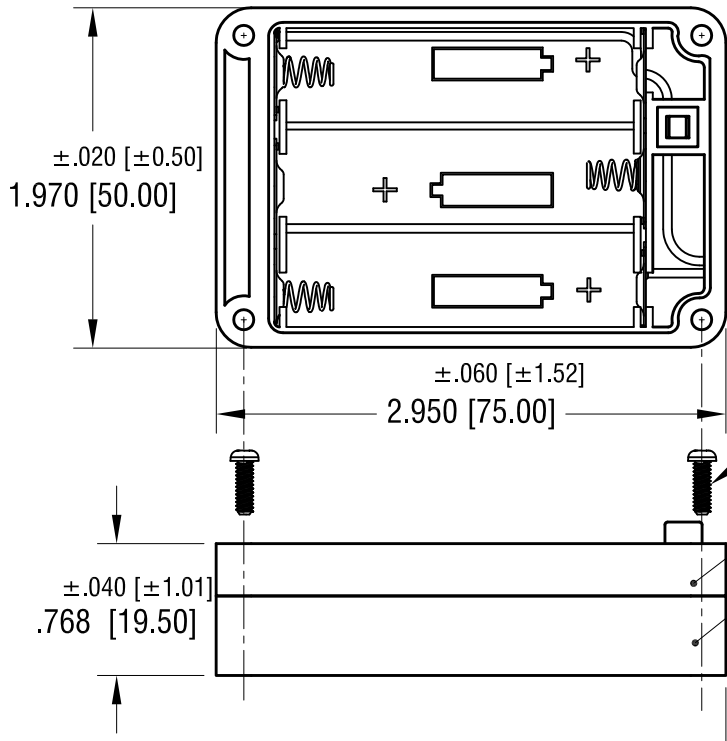
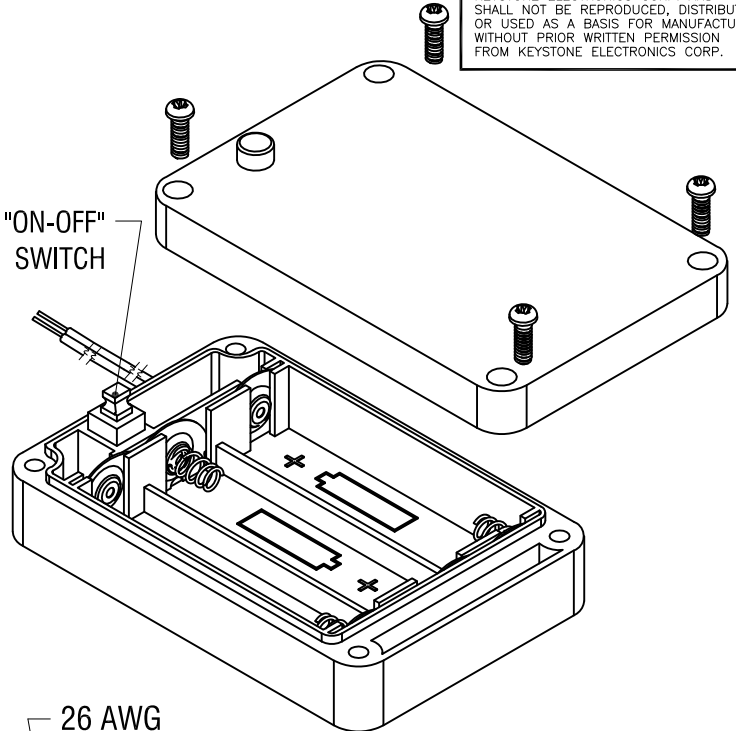


THIS DOCUMENT IS THE PROPERTY OF KEYSTONE ELECTRONICS CORP. AND SHALL NOT BE REPRODUCED, DISTRIBUTED OR USED AS A BASIS FOR MANUFACTURE WITHOUT PRIOR WRITTEN PERMISSION FROM KEYSTONE ELECTRONICS CORP.



"ON-OFF" SWITCH



26 AWG BLACK

26 AWG RED

SCREW (4) PLS M2.5 THREAD

COVER

BOTTOM

NOTE:

1. HOLDER: MAT'L: ABS
2. SPRING: MAT'L: MUSIC WIRE, .020 [0.50] DIA. FINISH: NICKEL PLATE
3. SCREW: MAT'L- STEEL, ZINC PLATED
4. IP65 RATED FOR WATER, DUST AND HARSH ENVIRONMENTS

4.05.23	$\pm .032$ [± 0.81] STRIPED PART WAS $.187$ [4.75] WIRE LENGTH WAS 6.000 [152.40] CHANGE AS PER ECN 23-045
---------	---

A
REV.

KEYSTONE ELECTRONICS CORP.			
www.keyelco.com • NEW HYDE PARK, NY 11040 • Tel (516) 328-7500			
PART NAME			
WATER RESISTANT BATTERY HOLDER (3) 'AA'			
MATERIAL			
AS NOTED			
FINISH		DRN BY	DATE
AS NOTED		NT	5.09.18
		APP'D	SCALE
		RH	.9X
TOLERANCES	INCH [MM]	CODE	DWG NO.
DECIMAL	$\pm .010$ [± 0.25]	C	2439
ANGULAR	$\pm 1^\circ$		
UNLESS OTHERWISE SPECIFIED			