

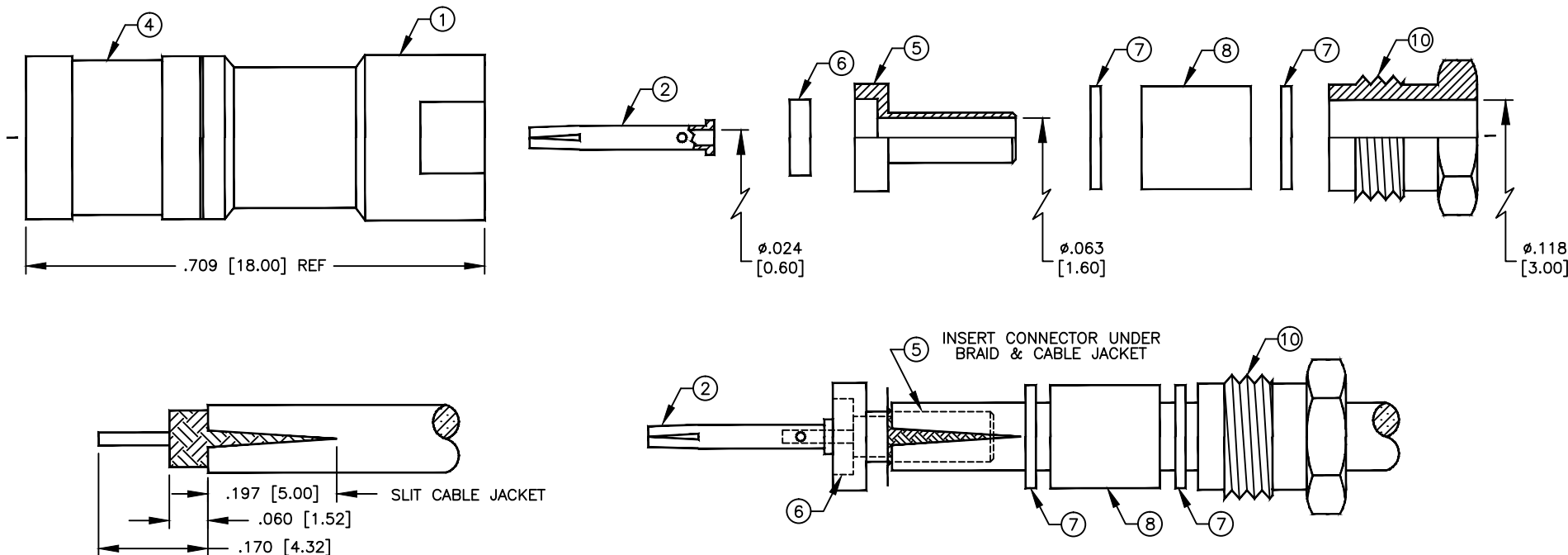
SPECIFICATION CONTROL DRAWING

THIS DRAWING CONTAINS INFORMATION PROPRIETARY TO RF INDUSTRIES, LTD. ANY UNAUTHORIZED USE OF THIS DRAWING IS EXPRESSLY PROHIBITED. ANY VIOLATION IS PUNISHABLE UNDER U.S. COPYRIGHT LAWS.

REV	DESCRIPTION	DWN	DATE	APPROVED
A	ENGINEERING RELEASE	KMM	9/20/95	R. RICE
B	ENGINEERING RELEASE	CZS	12/1/97	R. RICE

APROX LENGTH OF ASSEMBLED CONNECTOR: .850 [21.60]

008974



IMPEDANCE: 50 OHMS
 WORKING VOLTAGE: 400 VRMS @ SEA LEVEL
 FREQUENCY RANGE: 0-4 GHz
 INSERTION LOSS: $\leq .3$ dB MAX @ 1.5 GHz
 VSWR MAX: 1.3:1 @ 4 GHz
 FOR RG-174, 188, 188A, 316/U, ALPHA 9174, 9316,
 BELDEN 8216, 83269, 83284, 84316 & TIMES LMR-100 CABLE

ALL DIMENSIONS ARE REFERENCE ONLY

ITEM	DESCRIPTION	QTY	MATERIAL	FINISH
10	BACK NUT	1	BRASS	NICKEL
9	RETAINING RING	1	BeCu	NONE
8	GASKET	1	S.I.RUBBER	RED
7	WASHER	2	BRASS	NICKEL
6	DIELECTRIC	1	PTFE	NONE
5	SLEEVE	1	BRASS	NICKEL
4	SHELL	1	BRASS	NICKEL
3	DIELECTRIC	1	PTFE	NONE
2	CONTACT	1	BeCu	GOLD
1	BODY	1	BRASS	NICKEL

DIMENSIONS ARE IN INCHES AND [MILLIMETERS]	
UNLESS OTHERWISE NOTED TOLERANCES ARE:	
DECIMALS	DIAMETER
DRAWN C. ZUNIGA	12/1/97
CHECKED	
ORJ DRAWN K. MAXWELL	9/20/95
APPROVALS	DATE

RFconnectors
 DIVISION OF RF INDUSTRIES, LTD.

7610 MIRAMAR RD
 SAN DIEGO, CA 92126
 (619)549-6340
 (619)549-6345 FAX

RSB-4100-B

SMB CLAMP PLUG

SIZE A	CABLE GROUP B	DWG NO. 8560	REV B
SCALE: 4:1		CAD FILE 13ARC B	SHEET 1 OF 1