



Multi-Output Regulator with Buck or Buck/Boost Pre-Regulator, Synchronous Buck, 5x LDO Outputs, Watchdog, and SPI

FEATURES AND BENEFITS

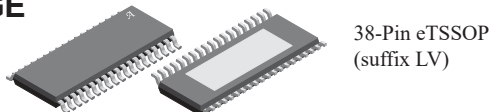
- A²-SIL™ compliant—device features for safety-critical systems
- Automotive AEC-Q100 qualified
- Wide input voltage range, 3.8 to 40 V_{IN} operating range, 50 V_{IN} maximum
- Buck or buck/boost pre-regulator (VREG)
- Adjustable 1.25 to 3.3 V synchronous buck
- Frequency dithering and controlled slew rate helps reduce EMI/EMC
- Four internal linear regulators with foldback short-circuit protection, 3.3 V (3V3) and three 5 V (V5CAN, V5A, and V5B)
- One internal 5 V linear regulator (V5P) with foldback short-circuit and short-to-supply protection
- Power-on reset signal indicating a fault on the synchronous buck, 3V3 or V5A regulator outputs (NPOR)
- Window watchdog timer with fail-safe features
- Dual bandgaps for increased safety coverage and fault detection, BGVREF, BGFAULT
- Control and diagnostic reporting through a serial peripheral interface (SPI)
- Logic enable input (ENB) for microprocessor control
- Ignition enable input (ENBAT) with status indicator output
- OV and UV protection for all output rails
- Pin-to-pin and pin-to-ground tolerant at every pin

APPLICATIONS

Provides system power (for microcontroller/DSP, CAN, sensors, etc.) in:

- Industrial applications
- Electronic power steering (EPS)
- Advanced braking systems (ABS)
- Transmission control units (TCU)
- Emissions control modules
- Other automotive applications

PACKAGE



Not to scale

DESCRIPTION

The ARG81400 is rated up to 50 V input and provides six total outputs. There are five LDOs and a post regulated DC/DC switcher to power MCUs, as well as a watchdog and SPI. Designed for high-temperature operation, the ARG81400 is ideal for automotive and industrial applications.

The device uses a buck or buck/boost pre-regulator to efficiently feed five linear regulators—3.3 V / 90 mA, 5 V / 200 mA, 5 V / 30 mA, 5 V / 55 mA, and 5 V / 100 mA (short-to-supply protected)—and an adjustable output, 600 mA synchronous buck.

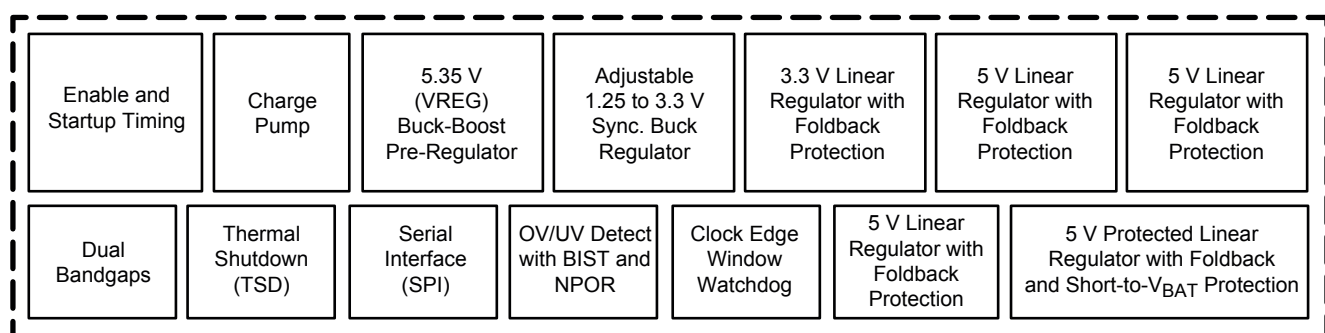
Enable inputs to the ARG81400 include a logic level (ENB) and a high-voltage (ENBAT). The ARG81400 also provides flexibility with disable function of the individual 5 V rails through a serial peripheral interface (SPI).

Diagnostic outputs from the ARG81400 include a power-on-reset output (NPOR), an ENBAT status output, and a fault flag output to alert the microprocessor that a fault has occurred. The microprocessor can read fault status through SPI. Dual bandgaps, one for regulation and one for fault checking, improve safety coverage and fault detection.

The ARG81400 contains a Window Watchdog timer with a programmable detect period of 250, 500, 1000, or 2000 μs. The watchdog timer enters an active state after NPOR transitions high and the processor has exercised the WD Test routine. The watchdog can be put into flash mode or be reset via secure SPI commands.

Protection features include undervoltage and overvoltage on all output rails. In case of a shorted output, all linear regulators feature foldback overcurrent protection. In addition, the V5P output is protected from a short-to-supply event. Both switching regulators include pulse-by-pulse current limit, hiccup mode short-circuit protection, LX short-circuit protection, missing asynchronous diode protection (VREG only), and thermal shutdown.

The ARG81400 is supplied in a low-profile (1.2 mm maximum height) 38-lead eTSSOP package (suffix “LV”) with exposed power pad.



ARG81400 Simplified Block Diagram

ARG81400

Multi-Output Regulator with Buck or Buck/Boost Pre-Regulator, Synchronous Buck, 5x LDO Outputs, Watchdog, and SPI

SELECTION GUIDE

Part Number	Temperature Range	Package	Packing [1]	Lead Frame
ARG81400KLVATR	-40 to 150°C	38-pin eTSSOP w/ thermal pad	4000 pieces per 7-in reel	100% matte tin

[1] Contact Allegro for additional packing options.



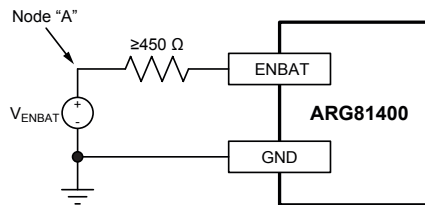
SPECIFICATIONS

ABSOLUTE MAXIMUM RATINGS [2]

Characteristic	Symbol	Notes	Rating	Unit
V _{IN}	V _{IN}		-0.3 to 50	V
ENBAT	V _{ENBAT}	With current limiting resistor [3]	-13 to 50	V
			-0.3 to 8	V
	I _{ENBAT}		±75	mA
LX1	V _{LX1}		-0.3 to V _{IN} + 0.3	V
		t < 250 ns	-1.5	V
		t < 50 ns	V _{IN} + 3 V	V
V _{CP} , CP1, CP2	V _{VCP} , V _{CP1} , V _{CP2}		-0.3 to 60	V
V5P	V _{V5P}	Independent of V _{IN}	-1 to 50	V
All other pins			-0.3 to 7	V
Junction Temperature	T _J		-40 to 165	°C
Storage Temperature Range	T _{stg}		-40 to 150	°C

[2] Stresses beyond those listed in this table may cause permanent damage to the device. The absolute maximum ratings are stress ratings only, and functional operation of the device at these or any other conditions beyond those indicated in the Electrical Characteristics table is not implied. Exposure to absolute-maximum-rated conditions for extended periods may affect device reliability.

[3] The higher ENBAT ratings (-13 V and 50 V) are measured at node "A" in the following circuit configuration:



THERMAL CHARACTERISTICS: May require derating at maximum conditions; see application information

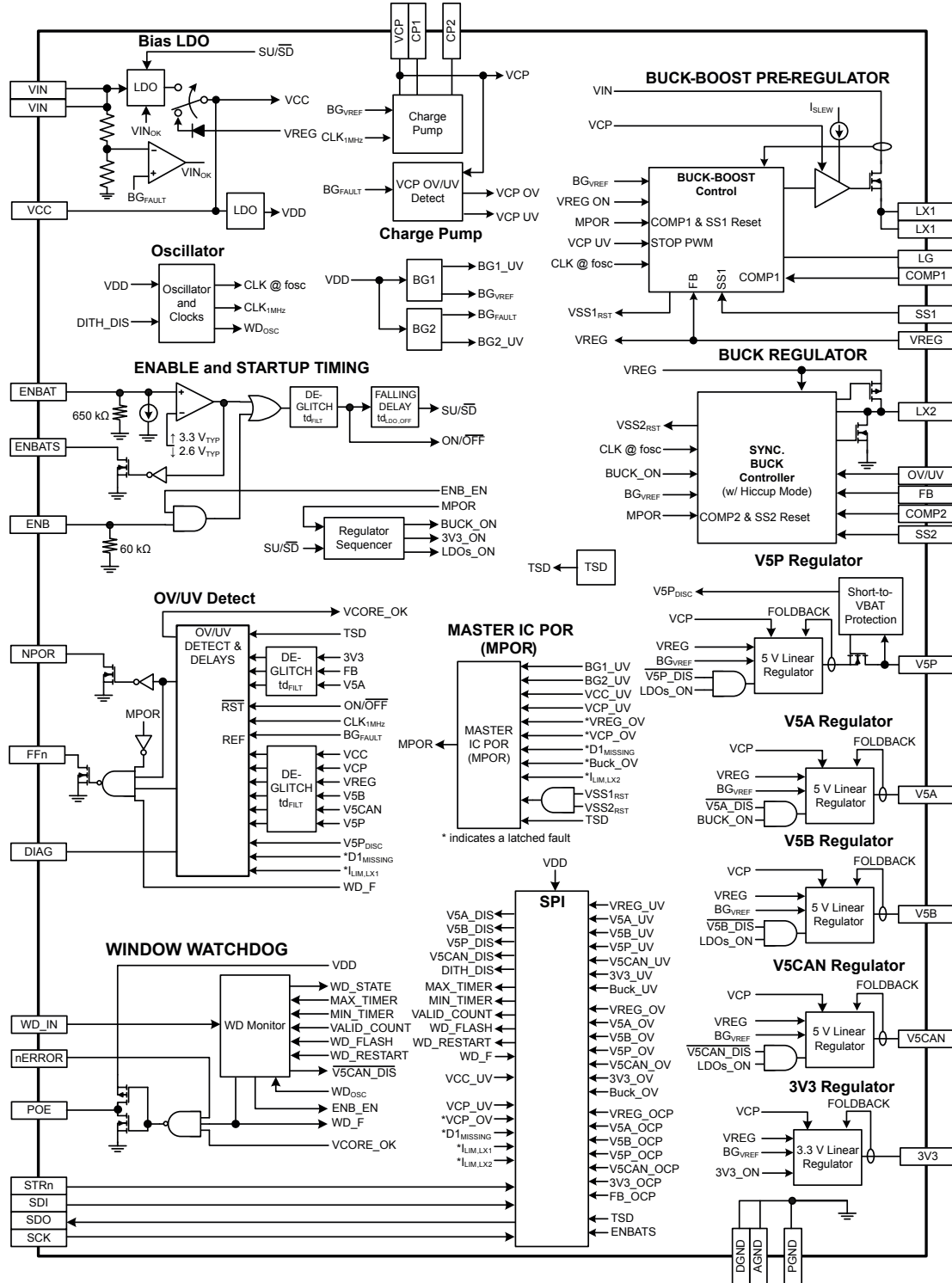
Characteristic	Symbol	Test Conditions [4]	Value	Unit
Junction to Ambient Thermal Resistance	R _{θJA}	eTSSOP-38 (LV) package	30	°C/W

[4] Additional thermal information available on the Allegro website.

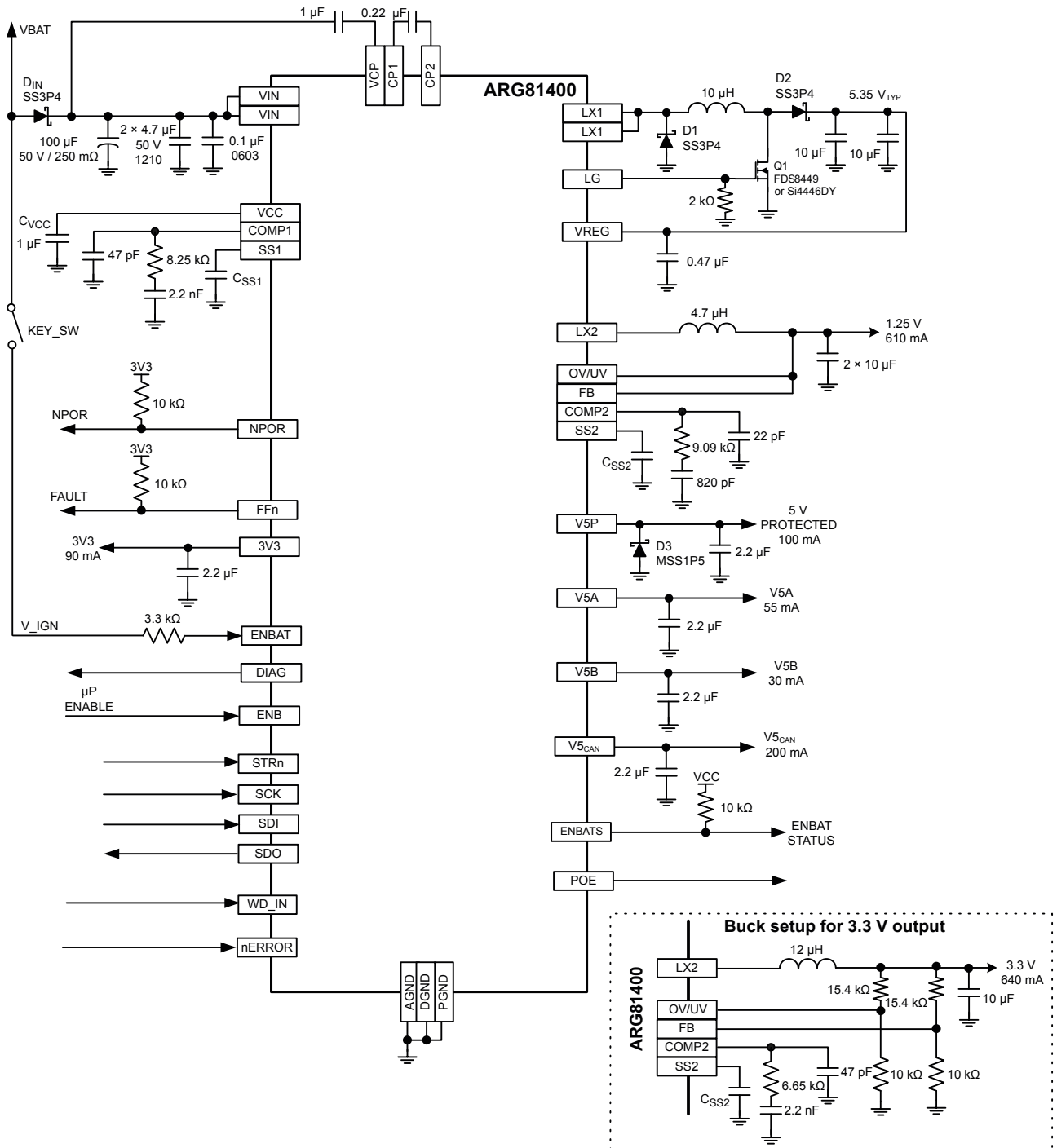
Table of Contents

Features and Benefits.....	1	Fault Detection and Reporting	27
Description	1	Startup Self-Test	27
Applications.....	1	Undervoltage Detect Self-Test	27
Package	1	Overvoltage Detect Self-Test	27
Simplified Block Diagram	1	Overtemperature Shutdown Self-Test	27
Selection Guide	2	Power-On Enable Self-Test	28
Specifications	2	Watchdog	28
Absolute Maximum Ratings.....	2	Serial Communication Interface	39
Thermal Characteristics	2	Register Mapping.....	40
Functional Block Diagram	4	Design and Component Selection	49
Typical Schematics.....	5	Setting up the Pre-Regulator	49
Pinout Diagram and Terminal List Table	7	Charge Pump Capacitors.....	49
Electrical Characteristics	8	PWM Switching Frequency	49
General Specifications.....	8	Pre-Regulator Output Inductor (L1)	49
Buck and Buck-Boost Pre-Regulator	9	Pre-Regulator Output Capacitors	50
Adjustable Synchronous Buck Regulator	11	Ceramic Input Capacitors.....	50
Linear Regulator	13	Buck-Boost Asynchronous Diode (D1)	51
Control Inputs	14	Boost MOSFET (Q1)	51
Diagnostic Outputs.....	15	Boost Diode (D2)	51
Window Watchdog Timer	17	Pre-Regulator Soft-Start Hiccup Mode Timing.....	51
Communications Interface.....	18	Pre-Regulator Compensation Components	52
Startup and Shutdown Logic.....	19	Synchronous Buck Component Selection.....	52
Fault Mode Operation Summary	22	Setting the Output Voltage, RFB1 and RFB2	53
Timing Diagrams	25	Synchronous Buck Output Inductor (L2).....	53
Functional Description	26	Synchronous Buck Output Capacitors	53
Overview	26	Synchronous Buck Compensation Components.....	54
Pre-Regulator	26	Sync. Buck Soft-Start and Hiccup Mode Timing	54
Bias Supply	26	Linear Regulators	55
Charge Pump	26	Internal Bias (VCC)	55
Bandgap.....	26	Signal Pins (NPOR, ENBATS, FFn, POE, DIAG).....	55
Enable.....	26	PCB Layout Recommendations	56
Synchronous Buck	26	Input/Output Structures	59
Linear Regulators	27	Package Outline Drawing	60
		Revision History	61

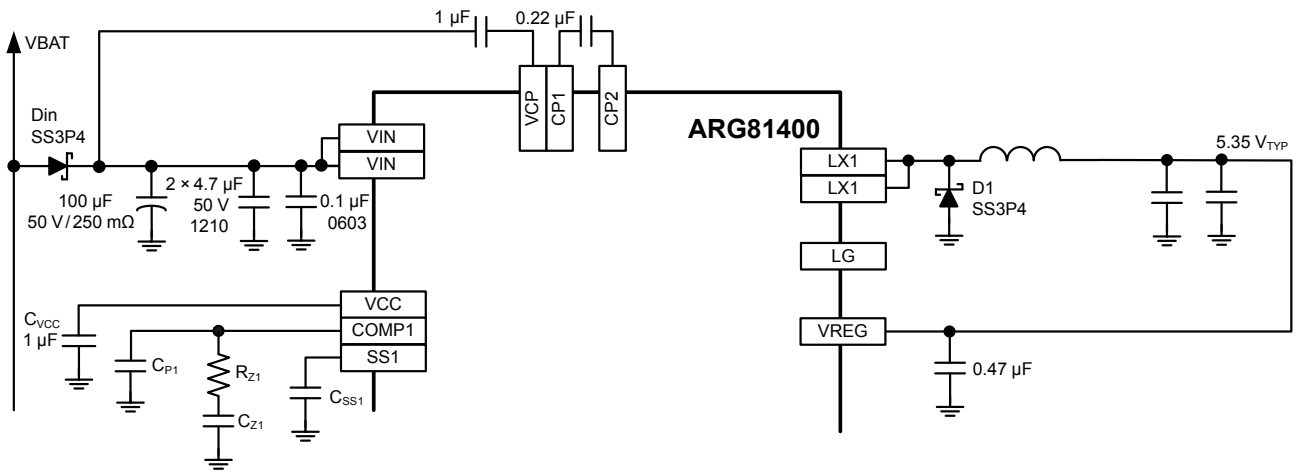
FUNCTIONAL BLOCK DIAGRAM



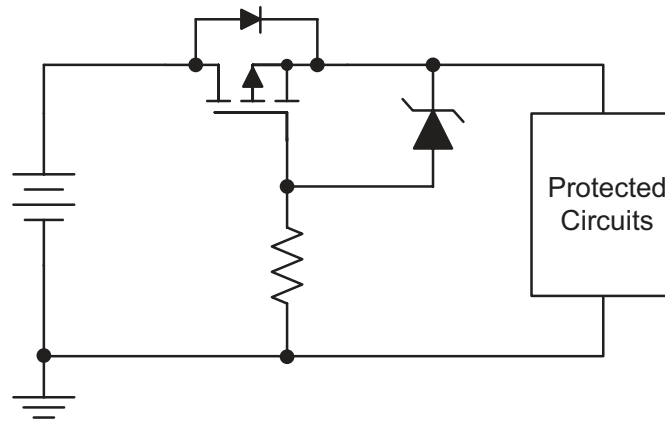
TYPICAL SCHEMATICS



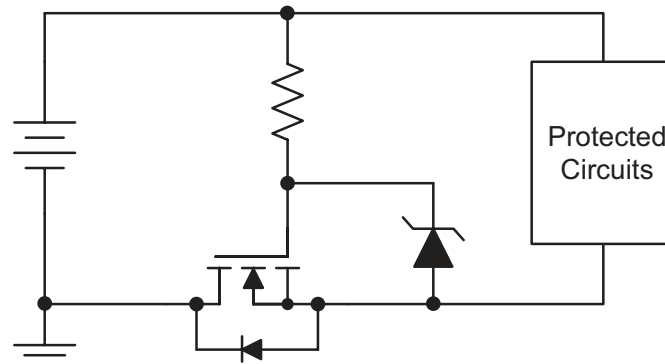
Buck-Boost Mode Using a Series Diode for Reverse-Battery Protection (D_{IN})



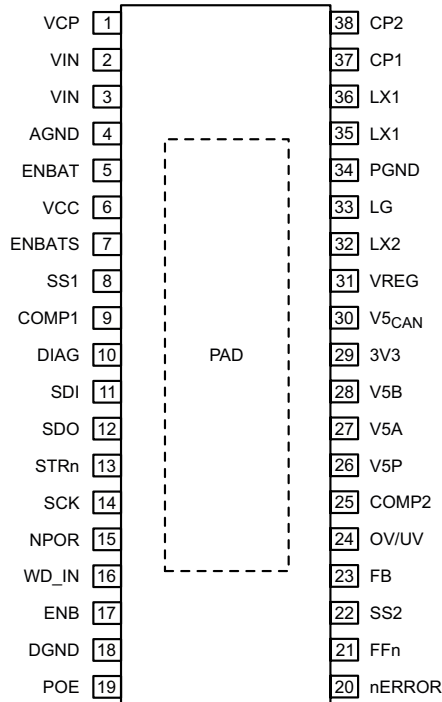
Functional Block Diagram Modifications for Buck Only Mode



Functional Block Diagram Using a PMOS FET for Reverse-Battery Protection Instead of a Series Schottky Diode (D_{IN})



Functional Block Diagram Using an NMOS FET for Reverse-Battery Protection Instead of a Series Schottky Diode (D_{IN})



**Package LV, 38-Pin eTSSOP
Pinout Diagram**

Terminal List Table

Number	Name	Function
1	VCP	Charge pump reservoir capacitor
2,3	VIN	Input voltage pins
4	AGND	Analog ground pin
5	ENBAT	Ignition enable input from the key/switch via a series resistor
6	VCC	Internal voltage regulator bypass capacitor pin
7	ENBATS	Open-drain ignition status output of ENBAT
8	SS1	Soft-start programming pin for the buck/boost pre-regulator
9	COMP1	Error amplifier compensation network pin for the buck/boost pre-regulator
10	DIAG	Diagnostic pin to aid debug. A pulse train whose frequency depends on the fault that occurred is sent to this pin. See fault table.
11	SDI	SPI data input from the microcontroller
12	SDO	SPI data output to the microcontroller
13	STRn	Chip select input from the microcontroller
14	SCK	Clock input from the microcontroller
15	NPOR	Active LOW, open-drain regulator fault detection output
16	WD_IN	Watchdog pulse train input from a microcontroller or DSP
17	ENB	Logic enable input from a microcontroller or DSP
18	DGND	Digital ground pin
19	POE	Gate drive enable signal, goes low if a watchdog fault is detected or nERROR is low
20	nERROR	System fault input. This fault is ANDed with the watchdog fault to create the POE signal
21	FFn	Active-low open-drain fault flag, alerts the microprocessor of a fault within the regulator
22	SS2	Soft-start programming pin for the adjustable synchronous buck regulator
23	FB	Feedback pin with 1.25 V reference for synchronous buck regulator
24	OV/UV	Input to synchronous overvoltage and undervoltage sense circuit
25	COMP2	Error amplifier compensation network pin for the adjustable synchronous buck regulator
26	V5P	5 V / 100 mA protected regulator output
27	V5A	5 V / 55 mA regulator output
28	V5B	5 V / 30 mA regulator output
29	3V3	3.3 V / 180 mA regulator output
30	5V _{CAN}	5 V / 200 mA regulator output for communications
31	VREG	Output of the pre-regulator and input to the linear regulators and synchronous buck
32	LX2	Switching node for the adjustable synchronous buck regulator
33	LG	Boost gate drive output for the buck/boost pre-regulator
34	PGND	Power ground for the adjustable synchronous regulator / gate driver
35,36	LX1	Switching node for the buck/boost pre-regulator
37	CP1	Charge pump capacitor connection
38	CP2	Charge pump capacitor connection
-	PAD	Connect to ground

ELECTRICAL CHARACTERISTICS – GENERAL SPECIFICATIONS [1]: Valid at $3.8\text{ V}^{[4]} \leq V_{IN} \leq 36\text{ V}$, $-40^\circ\text{C} \leq T_A = T_J \leq 150^\circ\text{C}$, unless otherwise specified

Characteristic	Symbol	Test Conditions	Min.	Typ.	Max.	Unit
GENERAL SPECIFICATIONS						
Operating Input Voltage	V_{VIN}	After $V_{VIN} > V_{VIN_START}$, and $V_{ENB} > 2\text{ V}$ or $V_{ENBAT} > 3.5\text{ V}$, buck-boost mode	3.8	13.5	40	V
		After $V_{VIN} > V_{VIN_START}$, and $V_{ENB} > 2\text{ V}$ or $V_{ENBAT} > 3.5\text{ V}$, buck mode	5.5	13.5	40	V
VIN UVLO START Voltage	V_{IN_START}	V_{VIN} rising	4.55	4.8	5.05	V
VIN UVLO STOP Voltage	V_{IN_STOP}	V_{VIN} falling, $V_{ENBAT} \geq 3.8\text{ V}$ or $V_{ENB} \geq 2\text{ V}$, $V_{VREG} = 5.2\text{ V}$	3.25	3.5	3.75	V
VIN UVLO Hysteresis	V_{IN_HYS}	$V_{IN_START} - V_{IN_STOP}$	–	1.3	–	V
Supply Quiescent Current [1]	I_Q	$V_{VIN} = 13.5\text{ V}$, $V_{ENBAT} \geq 3.8\text{ V}$ or $V_{ENB} \geq 2.0\text{ V}$, $V_{VREG} = 5.6\text{ V}$ (no PWM)	–	13	–	mA
	I_{Q_SLEEP}	$V_{VIN} = 13.5\text{ V}$, $V_{ENBAT} \leq 2.2\text{ V}$ and $V_{ENB} \leq 0.8\text{ V}$	–	–	10	μA
PWM SWITCHING FREQUENCY AND DITHERING						
Switching Frequency	f_{OSC}	Dithering disabled $3.8\text{ V}^{[4]} \leq V_{VIN} \leq 18\text{ V}$	2	2.2	2.4	MHz
Frequency Dithering	Δf_{OSC}	As a percent of f_{OSC}	–	± 10	–	%
Dither/Slew START Threshold	$V_{IN_DS_ON}$	VIN rising	8.5	9	9.5	V
		VIN falling	–	17	–	V
Dither/Slew STOP Threshold	$V_{IN_DS_OFF}$	VIN falling	7.8	8.3	8.8	V
		VIN rising	–	18	–	V
VIN Dithering/Slew Hysteresis			–	700	–	mV
CHARGE PUMP (VCP)						
Output Voltage	V_{VCP}	$V_{VCP} - V_{VIN}$, $V_{VIN} \geq 5.5\text{ V}$, buck mode	4.1	6.6	–	V
		$V_{VCP} - V_{VIN}$, $V_{VIN} = 3.8\text{ V}$, $V_{VREG} = 5.35\text{ V}$, buck-boost mode	3.1	3.8	–	V
Switching Frequency	f_{SW_CP}		–	65	–	kHz
VCC PIN VOLTAGE						
Output Voltage	V_{VCC}	$V_{VREG} = 5.35\text{ V}$	–	4.65	–	V
SYSTEM CLOCK						
Internal Clock Frequency	f_{SYS}		–	1	–	MHz
Internal Clock Tolerance	f_{SYS_TOL}		–4	–	4	%
THERMAL PROTECTION						
Thermal Shutdown Threshold [2]	T_{TSD}	T_J rising	165	–	–	$^\circ\text{C}$
Thermal Shutdown Hysteresis [2]	T_{HYS}		–	15	–	$^\circ\text{C}$

[1] For input and output current specifications, negative current is defined as coming out of the node or pin (sourcing), positive current is defined as going into the node or pin (sinking).

[2] Ensured by design and characterization, not production tested.

[3] Specifications at 25°C or 85°C are guaranteed by design and characterization, not production tested.

[4] The lowest operating voltage is only valid if the conditions $V_{VIN} > V_{VIN_START}$ and $V_{VCP} - V_{VIN} > V_{CP_UV,H}$ and $V_{VREG} > V_{REG_UV,H}$ are satisfied before V_{IN} is reduced.

ELECTRICAL CHARACTERISTICS – BUCK AND BUCK-BOOST PRE-REGULATOR SPECIFICATIONS [1]:

Valid at 3.8 V [4] ≤ VIN ≤ 36 V, -40°C ≤ TA = TJ ≤ 150°C, unless otherwise specified

Characteristic	Symbol	Test Conditions	Min.	Typ.	Max.	Unit
OUTPUT VOLTAGE SPECIFICATIONS						
Buck Output Voltage – Regulating	V _{VREG}	V _{VIN} = 13.5 V, ENB = 1, 0.1 A < I _{VREG} < 1.2 A	5.25	5.35	5.45	V
PULSE-WIDTH MODULATION (PWM)						
PWM Ramp Offset	PWM1 _{OFFS}	V _{COMP1} for 0% duty cycle	–	400	–	mV
LX1 Rising Slew Rate Control [2]	LX1 _{RISE}	V _{VIN} = 13.5 V, 10% to 90%, I _{VREG} = 1 A	–	1.4	–	V/ns
LX1 Falling Slew Rate [2]	LX1 _{FALL}	V _{VIN} = 13.5 V, 90% to 10%, I _{VREG} = 1 A	–	1.5	–	V/ns
Buck Minimum ON-Time	t _{ON,MIN,BUCK}		–	85	160	ns
Buck Maximum Duty Cycle	D _{MAX,BUCK}	V _{VIN} < 7.8 V	–	100	–	%
Boost Maximum Duty Cycle	D _{MAX,BST}	After V _{VIN} > V _{VIN,START} , V _{VIN} = 3.8 V	–	65	–	%
COMP1 to LX1 Current Gain	gm _{POWER1}		–	4.57	–	A/V
Slope Compensation [2]	S _{E1}		1.1	1.62	2.15	A/μs
INTERNAL MOSFET						
MOSFET On-Resistance	R _{DSon}	V _{VIN} = 13.5 V, T _J = -40°C [2], I _{DS} = 0.1 A	–	60	75	mΩ
		V _{VIN} = 13.5 V, T _J = 25°C [3], I _{DS} = 0.1 A	–	95	110	mΩ
		V _{VIN} = 13.5 V, T _J = 150°C, I _{DS} = 0.1 A	–	160	190	mΩ
MOSFET Leakage	I _{FET,LKG}	V _{ENB} ≤ 2.2 V, V _{ENB} ≤ 0.8 V, V _{LX1} = 0 V, V _{VIN} = 16 V, -40°C < T _J < 85°C [3]	–	–	10	μA
		V _{ENB} ≤ 2.2 V, V _{ENB} ≤ 0.8 V, V _{LX1} = 0 V, V _{VIN} = 16 V, -40°C < T _J < 150°C	–	50	150	μA
ERROR AMPLIFIER						
Open Loop Voltage Gain	AVOL1		–	60	–	dB
Transconductance	gm _{EA1}	V _{SS1} = 750 mV	520	720	920	μA/V
		V _{SS1} = 500 mV	260	360	460	μA/V
Output Current	I _{EA1}		–	±75	–	μA
Maximum Output Voltage	EA1 _{VO(max)}	V _{VIN} < 8.5 V	1.2	1.52	2.1	V
		V _{VIN} > 9.5 V	0.9	1.22	1.7	V
Minimum Output Voltage	EA1 _{VO(min)}		–	–	300	mV
COMP1 Pull Down Resistance	R _{COMP1}	HICCUP1 = 1 or FAULT1 = 1 or V _{ENB} ≤ 2.2 V and V _{ENB} ≤ 0.8 V, latched until V _{SS1} < V _{SS1,RST}	–	1	–	kΩ

[1] For input and output current specifications, negative current is defined as coming out of the node or pin (sourcing), positive current is defined as going into the node or pin (sinking).

[2] Ensured by design and characterization, not production tested.

[3] Specifications at 25°C or 85°C are guaranteed by design and characterization, not production tested.

[4] The lowest operating voltage is only valid if the conditions V_{VIN} > V_{VIN,START} and V_{VCP} - V_{VIN} > V_{VCP,UV,H} and V_{VREG} > V_{VREG,UV,H} are satisfied before V_{VIN} is reduced.

ELECTRICAL CHARACTERISTICS – BUCK AND BUCK-BOOST PRE-REGULATOR SPECIFICATIONS (continued) [1]: Valid at 3.8 V [4] ≤ VIN ≤ 36 V, -40°C ≤ TA = TJ ≤ 150°C, unless otherwise specified

Characteristic	Symbol	Test Conditions	Min.	Typ.	Max.	Unit
BOOST MOSFET (LG) GATE DRIVER						
LG High Output Voltage	V _{LG,ON}	V _{VIN} = 6 V, V _{VREG} = 5.35 V	4.6	–	5.5	V
LG Low Output Voltage	V _{LG,OFF}	V _{VIN} = 13.5 V, V _{VREG} = 5.35 V	–	0.2	0.4	V
LG Source Current [1]	I _{LG,ON}	V _{VIN} = 6 V, V _{VREG} = 5.35 V, V _{LG} = 1 V	–	-300	–	mA
LG Sink Current [1]	I _{LG,OFF}	V _{VIN} = 13.5 V, V _{VREG} = 5.35 V, V _{LG} = 1 V	–	150	–	mA
SOFT-START						
SS1 Offset Voltage	V _{SS1,OFFS}	V _{SS1} rising due to ISS1 _{SU}	–	400	–	mV
SS1 Fault/Hiccup Reset Voltage	V _{SS1,RST}	V _{SS1} falling due to HICCUP1 = 1 or FAULT1 = 1 or V _{ENB} ≤ 2.2 V and V _{ENB} ≤ 0.8 V	140	200	275	mV
SS1 Startup (Source) Current	ISS1 _{SU}	V _{SS1} = 1 V, HICCUP1 = FAULT1 = 0	-15	-20	-25	μA
SS1 Hiccup (Sink) Current	ISS1 _{HIC}	V _{SS1} = 0.5 V, HICCUP1 = 1	7.5	10	12.5	μA
SS1 Delay Time	t _{SS1,DLY}	C _{SS1} = 22 nF	–	440	–	μs
SS1 Ramp Time	t _{SS1}	C _{SS1} = 22 nF	–	880	–	μs
SS1 Pull-Down Resistance	RPD _{SS1}	FAULT1 = 1 or V _{ENB} ≤ 2.2 V and V _{ENB} ≤ 0.8 V, latched until V _{SS1} < V _{SS1,RST}	–	3	–	kΩ
SS1 PWM Frequency Foldback	f _{SW1,SS}	0 V ≤ V _{VREG} < 1.34 V typical and V _{COMP1} = EA1 _{VO(max)}	–	f _{osc} /8	–	–
		0 V ≤ V _{VREG} < 1.34 V typical and V _{COMP1} < EA1 _{VO(max)}	–	f _{osc} /4	–	–
		1.34 V ≤ V _{VREG} < 2.68 V typical and V _{COMP1} < EA1 _{VO(max)}	–	f _{osc} /2	–	–
		V _{VREG} ≥ 2.68 V typical and V _{COMP1} < EA1 _{VO(max)}	–	f _{osc}	–	–
HICCUP MODE						
Hiccup1 OCP Enable Threshold	V _{HIC1,EN}	V _{SS1} rising	–	2.3	–	V
Hiccup1 OCP PWM Counts	t _{HIC1,OCP}	V _{SS1} > V _{HIC1,EN} , V _{VREG} < 1.95 V _{TYP} , V _{COMP} = EA1 _{VO(max)}	–	30	–	PWM cycles
		V _{SS1} > V _{HIC1,EN} , V _{VREG} > 1.95 V _{TYP} , V _{COMP} = EA1 _{VO(max)}	–	120	–	PWM cycles
CURRENT PROTECTIONS						
Pulse-by-Pulse Current Limit	I _{LIM1,ton(min)}	VIN < 8.5 V	3.83	4.2	4.77	A
		VIN > 9.5 V	2.49	2.8	3.11	A
LX1 Short-Circuit Current Limit	I _{LIM,LX1}	Latched fault after 2 nd detection	5.3	7.1	–	A

[1] For input and output current specifications, negative current is defined as coming out of the node or pin (sourcing), positive current is defined as going into the node or pin (sinking).

[2] Ensured by design and characterization, not production tested.

[3] Specifications at 25°C or 85°C are guaranteed by design and characterization, not production tested.

[4] The lowest operating voltage is only valid if the conditions V_{VIN} > V_{VIN,START} and V_{VCP} - V_{VIN} > V_{VCP,UV,H} and V_{VREG} > V_{VREG,UV,H} are satisfied before VIN is reduced.

ELECTRICAL CHARACTERISTICS – ADJUSTABLE SYNCHRONOUS BUCK REGULATOR [1]:

Valid at 3.8 V [4] ≤ VIN ≤ 36 V, -40°C ≤ TA = TJ ≤ 150°C, unless otherwise specified

Characteristic	Symbol	Test Conditions	Min.	Typ.	Max.	Unit
MISSING ASYNCHRONOUS DIODE (D1) PROTECTION						
Detection Level	VD,OPEN	-40°C ≤ TA = TJ ≤ 85°C	-1.72	-1.4	-1.0	V
		-40°C ≤ TA = TJ ≤ 150°C	-1.72	-1.4	-0.85	V
Time Filtering [2]	tD,OPEN		50	-	250	ns
FEEDBACK REFERENCE VOLTAGE						
Reference Voltage	VFB		1.226	1.250	1.274	V
PULSE-WIDTH MODULATION (PWM)						
PWM Ramp Offset	PWM2OFFS	VCOMP2 for 0% duty cycle	-	440	-	mV
High-Side MOSFET Minimum ON-Time	tON(MIN)		-	65	105	ns
High-Side MOSFET Minimum OFF-Time	tOFF(MIN)	Does not include total gate driver non-overlap time, tNO	-	100	130	ns
Gate Driver Non-Overlap Time [2]	tNO		-	15	-	ns
COMP2 to LX2 Current Gain	gmPOWER2		-	1	-	A/V
Slope Compensation [2]	SE2		0.19	0.26	0.33	A/μs
INTERNAL MOSFETS						
High-Side MOSFET On-Resistance	RDSON (HS)	TA = 25°C [3], IDS = 100 mA	-	225	300	mΩ
		IDS = 100 mA	-	-	500	mΩ
LX2 Node Rise/Fall Time [2]	tR/F,LX2	VVREG = 5.5 V	-	12	-	ns
High-Side MOSFET Leakage [1]	IDSS (HS)	VENBAT ≤ 2.2 V, VENB ≤ 0.8 V, VLX2 = 0 V, VVREG = 5.5 V, -40°C < TJ < 85°C [3]	-	-	2	μA
		VENBAT ≤ 2.2 V, VENB ≤ 0.8 V, VLX2 = 0 V, VVREG = 5.5 V, -40°C < TJ < 150°C	-	3	15	μA
Low-Side MOSFET On-Resistance	RDSON (LS)	TA = 25°C [3], IDS = 100 mA	-	165	195	mΩ
		IDS = 100 mA	-	-	280	mΩ
Low-Side MOSFET Leakage [1]	IDSS (LS)	VENBAT ≤ 2.2 V, VENB ≤ 0.8 V, VLX2 = 5.5 V, -40°C < TJ < 85°C [3]	-	-	1	μA
		VENBAT ≤ 2.2 V, VENB ≤ 0.8 V, VLX2 = 5.5 V, -40°C < TJ < 150°C	-	4	10	μA
Pulse-by-Pulse Current Limit	ILIM2,5%	Duty cycle = 5%	792	925	1056	mA
		Duty cycle = 90%	528	705	880	mA
LX2 Short-Circuit Protection	VLIM,LX2	VLX2 stuck low for more than 60 ns, hiccup mode after 2× detection	-	VVREG - 1.2 V	-	V

[1] For input and output current specifications, negative current is defined as coming out of the node or pin (sourcing), positive current is defined as going into the node or pin (sinking).

[2] Ensured by design and characterization, not production tested.

[3] Specifications at 25°C or 85°C are guaranteed by design and characterization, not production tested.

[4] The lowest operating voltage is only valid if the conditions $V_{VIN} > V_{VIN,START}$ and $V_{VCP} - V_{VIN} > V_{CP,UV,H}$ and $V_{VREG} > V_{REG,UV,H}$ are satisfied before VIN is reduced.

ELECTRICAL CHARACTERISTICS – ADJUSTABLE SYNCHRONOUS BUCK REGULATOR (continued) [1]: Valid at 3.8 V [4] ≤ VIN ≤ 36 V, -40°C ≤ TA = TJ ≤ 150°C, unless otherwise specified

Characteristic	Symbol	Test Conditions	Min.	Typ.	Max.	Unit
ERROR AMPLIFIER						
Feedback Input Bias Current [1]	IFB,ADJ	VCOMP2 = 0.8 V, VFB,ADJ regulated so that ICOMP2 = 0 A	-	-150	-350	nA
Open Loop Voltage Gain [2]	AVOL2		-	60	-	dB
Transconductance	gmEA2	I _{COMP2} = 0 A, V _{SS2} > 500 mV	520	720	920	μA/V
		0 V < V _{SS2} < 500 mV	-	250	-	μA/V
Source and Sink Current	IEA2	V _{COMP2} = 0.8 V	-	±50	-	μA
Maximum Output Voltage	EA2VO(max)		1.04	1.3	1.56	V
Minimum Output Voltage	EA2VO(min)		-	-	150	mV
COMP2 Pull-Down Resistance	R _{COMP2}	HICCUP2 = 1 or FAULT2 = 1 or V _{ENB} ≤ 2.2 V and V _{ENB} ≤ 0.8 V, latched until V _{SS2} < V _{SS2} RST	-	1.3	-	kΩ
SOFT-START						
SS2 Offset Voltage	V _{SS2} OFFS	V _{SS2} rising due to ISS2 _{SU}	120	200	270	mV
SS2 Fault/Hiccup Reset Voltage	V _{SS2} RST	V _{SS2} falling due to HICCUP2 = 1 or FAULT2 = 1 or V _{ENB} ≤ 2.2 V and V _{ENB} ≤ 0.8 V	-	100	120	mV
SS2 Startup (Source) Current	ISS2 _{SU}	V _{SS2} = 1 V, HICCUP2 = FAULT2 = 0	-15	-20	-25	μA
SS2 Hiccup (Sink) Current	ISS2 _{HIC}	V _{SS2} = 0.5 V, HICCUP2 = 1	5	10	15	μA
SS2 to Synchronous Buck Output Delay Time	t _{SS2,DLY}	C _{SS2} = 10 nF	-	100	-	μs
Synchronous Buck Soft-Start Ramp Time	t _{SS2}	C _{SS2} = 10 nF	-	400	-	μs
SS2 Pull-Down Resistance	RPD _{SS2}	FAULT2 = 1 or V _{ENB} ≤ 2.2 V and V _{ENB} ≤ 0.8 V, latched until V _{SS2} < V _{SS2} RST	-	2	-	kΩ
SS2 PWM Frequency Foldback	f _{SW2,SS}	V _{FB} < 450 mV typical	-	f _{OSC} /4	-	-
		450 mV < V _{FB} < 780 mV typical	-	f _{OSC} /2	-	-
		V _{FB} > 780 mV typical	-	f _{OSC}	-	-
HICCUP MODE						
Hiccup2 OCP Enable Threshold	V _{HIC2,EN}	V _{SS2} rising	-	1.8	-	V
Hiccup2 OCP Counts	t _{HIC2,OCP}	V _{SS2} > V _{HIC2,EN} , V _{FB} < 450 mV _{TYP}	-	30	-	PWM cycles
		V _{SS2} > V _{HIC2,EN} , V _{FB} > 450 mV _{TYP}	-	120	-	PWM cycles

[1] For input and output current specifications, negative current is defined as coming out of the node or pin (sourcing), positive current is defined as going into the node or pin (sinking).

[2] Ensured by design and characterization, not production tested.

[3] Specifications at 25°C or 85°C are guaranteed by design and characterization, not production tested.

[4] The lowest operating voltage is only valid if the conditions V_{VIN} > V_{VIN,START} and V_{VCP} - V_{VIN} > V_{VCP,UV,H} and V_{VREG} > V_{VREG,UV,H} are satisfied before VIN is reduced.

ELECTRICAL CHARACTERISTICS – LINEAR REGULATOR SPECIFICATIONS [1]: Valid at 3.8 V [4] ≤ VIN ≤ 36 V, -40°C ≤ TA = TJ ≤ 150°C, unless otherwise specified

Characteristic	Symbol	Test Conditions	Min.	Typ.	Max.	Unit
V5CAN, V5A, V5B AND V5P LINEAR REGULATORS						
V5CAN Accuracy and Load Regulation	V _{V5CAN}	10 mA < I _{V5CAN} < 200 mA, V _{VREG} = 5.25 V	4.9	5	5.1	V
V5CAN Output Capacitance Range [2]	C _{OUT,V5CAN}		1	–	15	μF
V5A Accuracy and Load Regulation	V _{V5A}	5 mA < I _{V5A} < 55 mA, V _{VREG} = 5.25 V	4.9	5	5.1	V
V5A Output Capacitance Range [2]	C _{OUT,V5A}		1	–	15	μF
V5B Accuracy and Load Regulation	V _{V5B}	5 mA < I _{V5B} < 30 mA, V _{VREG} = 5.25 V	4.9	5	5.1	V
V5B Output Capacitance Range [2]	C _{OUT,V5B}		1	–	15	μF
V5P Accuracy and Load Regulation	V _{V5P}	5 mA < I _{V5P} < 100 mA, V _{VREG} = 5.25 V	4.9	5	5.1	V
V5P Output Capacitance Range [2]	C _{OUT,V5P}		1	–	15	μF
V5CAN OVERCURRENT PROTECTION						
V5CAN Current Limit [1]	V5CAN _{ILIM}	V _{V5CAN} = 5 V	-220	-310	–	mA
V5CAN Foldback Current [1]	V5CAN _{IFBK}	V _{V5CAN} = 0 V	-40	-80	-140	mA
V5A OVERCURRENT PROTECTION						
V5A Current Limit [1]	V5A _{ILIM}	V _{V5A} = 5 V	-60	-100	–	mA
V5A Foldback Current [1]	V5A _{IFBK}	V _{V5A} = 0 V	-15	-30	-45	mA
V5B OVERCURRENT PROTECTION						
V5B Current Limit [1]	V5B _{ILIM}	V _{V5B} = 5 V	-40	-90	–	mA
V5B Foldback Current [1]	V5B _{IFBK}	V _{V5B} = 0 V	-5	-20	-35	mA
V5P OVERCURRENT PROTECTION						
V5P Current Limit [1]	V5P _{ILIM}	V _{V5P} = 5 V	-110	-155	–	mA
V5P Foldback Current [1]	V5P _{IFBK}	V _{V5P} = 0 V	-20	-40	-60	mA
V5CAN, V5A, V5B, AND V5P STARTUP TIMING						
V5CAN Startup Time [2]	t _{V5CAN,START}	C _{V5CAN} ≤ 2.9 μF, Load = 200 Ω ±5% (25 mA)	–	0.4	1	ms
V5A Startup Time [2]	t _{V5A,START}	C _{V5A} ≤ 2.9 μF, Load = 200 Ω ±5% (25 mA)	–	0.6	1	ms
V5B Startup Time [2]	t _{V5B,START}	C _{V5B} ≤ 2.9 μF, Load = 333 Ω ±5% (15 mA)	–	0.8	1	ms
V5P Startup Time [2]	t _{V5C,START}	C _{V5P} ≤ 2.9 μF, Load = 100 Ω ±5% (50 mA)	–	0.5	1	ms
3V3 LINEAR REGULATOR						
3V3 Accuracy and Load Regulation	V _{3V3}	5 mA < I _{3V3} < 90 mA, V _{VREG} = 5.25 V	3.23	3.30	3.37	V
3V3 Output Capacitance Range [2]	C _{OUT,3V3}		1.0	–	15	μF
3V3 OVERCURRENT PROTECTION						
3V3 Current Limit [1]	3V3 _{ILIM}	V _{3V3} = 3.3 V	-110	-155	–	mA
3V3 Foldback Current [1]	3V3 _{IFBK}	V _{3V3} = 0 V	-20	-50	-80	mA
3V3 STARTUP TIMING						
3V3 Startup Time [2]	t _{3V3,START}	C _{3V3} ≤ 2.9 μF, Load = 66 Ω ±5% (50 mA)	–	0.5	0.8	ms
3V3 to Synchronous Buck Startup	t _{3V3,BUCK}	Time from when 3V3 = V _{3V3,UV,H} to when V _{FB} = V _{FB,UV,H}	–	–	1	ms

[1] For input and output current specifications, negative current is defined as coming out of the node or pin (sourcing), positive current is defined as going into the node or pin (sinking).

[2] Ensured by design and characterization, not production tested.

[3] Specifications at 25°C or 85°C are guaranteed by design and characterization, not production tested.

[4] The lowest operating voltage is only valid if the conditions V_{VIN} > V_{VIN,START} and V_{VCP} - V_{VIN} > V_{VCP,UV,H} and V_{VREG} > V_{VREG,UV,H} are satisfied before VIN is reduced.

ELECTRICAL CHARACTERISTICS – CONTROL INPUTS ^[1]: Valid at $3.8\text{ V} \leq V_{IN} \leq 36\text{ V}$, $-40^\circ\text{C} \leq T_A = T_J \leq 150^\circ\text{C}$, unless otherwise specified

Characteristic	Symbol	Test Conditions	Min.	Typ.	Max.	Unit
IGNITION ENABLE (ENBAT) INPUT						
ENBAT Thresholds	$V_{ENBAT,H}$	V_{ENBAT} rising	2.9	3.1	3.5	V
	$V_{ENBAT,L}$	V_{ENBAT} falling	2.2	2.6	2.9	V
ENBAT Hysteresis	$V_{ENBAT,HYS}$	$V_{ENBAT,H} - V_{ENBAT,L}$	–	500	–	mV
ENBAT Bias Current ^[1]	$I_{ENBAT,BIAS}$	$V_{ENBAT} = 5.5\text{ V}$ via a 1 k Ω series resistor	–	50	100	μA
		$V_{ENBAT} = 0.8\text{ V}$ via a 1 k Ω series resistor	0.5	–	5	μA
ENBAT Pull-Down Resistance	R_{ENBAT}	$V_{ENBAT} < 1.2\text{ V}$	–	600	–	k Ω
LOGIC ENABLE (ENB) INPUT						
ENB Thresholds	$V_{ENB,H}$	V_{ENB} rising	–	–	2	V
	$V_{ENB,L}$	V_{ENB} falling	0.8	–	–	V
ENB Bias Current ^[1]	$I_{ENB,IN}$	$V_{ENB} = 3.3\text{ V}$	–	–	175	μA
ENB Resistance	R_{ENB}		–	60	–	k Ω
ENB/ENBAT FILTER/DEGLITCH						
Enable Filter/Deglitch Time	$EN_{td,FILT}$		10	15	20	μs
nERROR INPUT						
nERROR Thresholds	$V_{nERROR,H}$	V_{nERROR} rising	–	–	2	V
	$V_{nERROR,L}$	V_{nERROR} falling	0.8	–	–	V

^[1] For input and output current specifications, negative current is defined as coming out of the node or pin (sourcing), positive current is defined as going into the node or pin (sinking).

^[2] Ensured by design and characterization, not production tested.

^[3] Specifications at 25°C or 85°C are guaranteed by design and characterization, not production tested.

^[4] The lowest operating voltage is only valid if the conditions $V_{VIN} > V_{VIN,START}$ and $V_{VCP} - V_{VIN} > V_{CP,UV,H}$ and $V_{VREG} > V_{REG,UV,H}$ are satisfied before V_{IN} is reduced.

ELECTRICAL CHARACTERISTICS – DIAGNOSTIC OUTPUTS [1]: Valid at $3.8\text{ V}^{[4]} \leq V_{IN} \leq 36\text{ V}$, $-40^\circ\text{C} \leq T_A = T_J \leq 150^\circ\text{C}$, unless otherwise specified

Characteristic	Symbol	Test Conditions	Min.	Typ.	Max.	Unit
3V3 AND SYNCHRONOUS BUCK OV/UV PROTECTION THRESHOLDS						
3V3 OV Thresholds	$V_{3V3,OV,H}$	V_{3V3} rising	3.41	3.51	3.6	V
	$V_{3V3,OV,L}$	V_{3V3} falling	–	3.49	–	V
3V3 OV Hysteresis	$V_{3V3,OV,HYS}$	$V_{3V3,OV,H} - V_{3V3,OV,L}$	10	20	40	mV
3V3 UV Thresholds	$V_{3V3,UV,H}$	V_{3V3} rising	–	3.12	–	V
	$V_{3V3,UV,L}$	V_{3V3} falling	3	3.1	3.19	V
3V3 UV Hysteresis	$V_{3V3,UV,HYS}$	$V_{3V3,UV,H} - V_{3V3,UV,L}$	10	20	40	mV
Synchronous Buck OV Thresholds	$V_{BUCK,OV,H}$	$V_{OV/UV}$ rising	1.29	1.327	1.36	V
Synchronous Buck UV Thresholds	$V_{BUCK,UV,H}$	$V_{OV/UV}$ rising	1.157	1.192	1.225	V
	$V_{BUCK,UV,L}$	$V_{OV/UV}$ falling	1.147	1.182	1.217	V
Synchronous Buck UV Hysteresis	$V_{BUCK,UV,HYS}$	$V_{OV/UV,UV,H} - V_{OV/UV,UV,L}$	5	10	20	mV
V5CAN, V5A, V5B AND V5P OV/UV PROTECTION THRESHOLDS						
V5CAN, V5A, V5B and V5P OV Thresholds	$V_{V5,OV,H}$	V_{V5} rising	5.15	5.33	5.5	V
	$V_{V5,OV,L}$	V_{V5} falling	–	5.30	–	V
V5CAN, V5A, V5B and V5P OV Hysteresis	$V_{V5,OV,HYS}$	$V_{V5,OV,H} - V_{V5,OV,L}$	15	30	50	mV
V5CAN, V5A, V5B and V5P UV Thresholds	$V_{V5,UV,H}$	V_{V5} rising	–	4.71	–	V
	$V_{V5,UV,L}$	V_{V5} falling	4.5	4.68	4.85	V
V5CAN, V5A, V5B and V5P UV Hysteresis	$V_{V5,UV,HYS}$	$V_{V5,UV,H} - V_{V5,UV,L}$	15	30	50	mV
V5P Output Disconnect Threshold	$V_{V5P,DISC}$	V_{V5P} rising	–	7.2	–	V
VREG, VCP, AND BG THRESHOLDS						
VREG Non-Latching OV Threshold	$V_{VREG,OV1,H}$	V_{VREG} rising, LX1 PWM disabled	5.5	5.62	5.75	V
	$V_{VREG,OV1,L}$	V_{VREG} falling, LX1 PWM enabled	–	5.53	–	V
VREG Non-Latching OV Hysteresis	$V_{VREG,OV1,HYS}$	$V_{VREG,OV1,H} - V_{VREG,OV1,L}$	–	100	–	mV
VREG Latching OV Threshold	$V_{VREG,OV2,H}$	V_{VREG} rising, all regulators latched off	–	6.55	–	V
VREG UV Thresholds	$V_{VREG,UV,H}$	V_{VREG} rising, triggers rise of 3V3 linear regulator	4.14	4.38	4.62	V
	$V_{VREG,UV,L}$	V_{VREG} falling	–	4.28	–	V
VREG UV Hysteresis	$V_{VREG,UV,HYS}$	$V_{VREG,UV,H} - V_{VREG,UV,L}$	–	100	–	mV
VCP OV Thresholds	$V_{VCP,OV,H}$	V_{VCP} rising, latches all regulators off	11	12.5	14	V
VCP UV Thresholds	$V_{VCP,UV,H}$	V_{VCP} rising, PWM enabled	3	3.2	3.4	V
	$V_{VCP,UV,L}$	V_{VCP} falling, PWM disabled	–	2.8	–	V
VCP UV Hysteresis	$V_{VCP,UV,HYS}$	$V_{VCP,UV,H} - V_{VCP,UV,L}$	–	400	–	mV
BG_{REF} and BG_{FAULT} UV Thresholds [2]	BG_{XUV}	BG_{VREF} or BG_{FAULT} rising	1	1.05	1.1	V

[1] For input and output current specifications, negative current is defined as coming out of the node or pin (sourcing), positive current is defined as going into the node or pin (sinking).

[2] Ensured by design and characterization, not production tested.

[3] Specifications at 25°C or 85°C are guaranteed by design and characterization, not production tested.

[4] The lowest operating voltage is only valid if the conditions $V_{VIN} > V_{VIN,START}$ and $V_{VCP} - V_{VIN} > V_{VCP,UV,H}$ and $V_{VREG} > V_{VREG,UV,H}$ are satisfied before V_{IN} is reduced.

ELECTRICAL CHARACTERISTICS – DIAGNOSTIC OUTPUTS (continued) [1]: Valid at 3.8 V [4] ≤ VIN ≤ 36 V, -40°C ≤ TA = TJ ≤ 150°C, unless otherwise specified

Characteristic	Symbol	Test Conditions	Min.	Typ.	Max.	Unit
NPOR TURN-ON AND TURN-OFF DELAYS						
NPOR Turn-On Delay	td _{NPOR,ON}	Time from when 3V3, synchronous buck output, and V5A are all in regulation to NPOR being asserted high	15	20	25	ms
NPOR OUTPUT VOLTAGES						
NPOR Output Low Voltage	V _{NPOR,L}	ENB or ENBAT high, VIN ≥ 2.5 V, I _{NPOR} = 2 mA	–	150	400	mV
NPOR Leakage Current [1]	I _{NPOR,LKG}	V _{NPOR} = 3.3 V	–	–	2	μA
FAULT FLAG OUTPUT VOLTAGES (FFn)						
FFn Output Voltage	V _{FF,L}	ENB = 1 or ENBAT = 1 and FFn is tripped, V _{VIN} ≥ 2.5 V, I _{FF} = 2 mA	–	150	400	mV
FFn Leakage Current	I _{FF,LKG}	V _{FF} = 3.3 V	–	–	2	μA
IGNITION STATUS (ENBATS)						
ENBATS Output Voltage	VO _{ENBATS,LO}	I _{ENBATS} = 2 mA, V _{ENBAT} < V _{ENBAT,L}	–	–	400	mV
ENBATS Leakage Current [1]	I _{ENBATS}	V _{ENBATS} = 3.3 V	–	–	2	μA
OV FILTERING/DEGLITCH TIME						
Overshoot Detection Delay	OV _{td,FILT}	Overshoot detection delay time	10	15	20	μs
UV FILTERING/DEGLITCH TIME						
UV Filter/Deglitch Times	UV _{td,FILT}	Undervoltage detection delay time	10	15	20	μs

[1] For input and output current specifications, negative current is defined as coming out of the node or pin (sourcing), positive current is defined as going into the node or pin (sinking).

[2] Ensured by design and characterization, not production tested.

[3] Specifications at 25°C or 85°C are guaranteed by design and characterization, not production tested.

[4] The lowest operating voltage is only valid if the conditions V_{VIN} > V_{VIN,START} and V_{VCP} – V_{VIN} > V_{VCP,UV,H} and V_{VREG} > V_{VREG,UV,H} are satisfied before VIN is reduced.

ELECTRICAL CHARACTERISTICS – WINDOW WATCHDOG TIMER (WWDT) [1]: Valid at 3.8 V [4] ≤ VIN ≤ 36 V, -40°C ≤ TA = TJ ≤ 150°C, unless otherwise specified

Characteristic	Symbol	Test Conditions	Min.	Typ.	Max.	Unit
WD_IN VOLTAGE THRESHOLDS AND CURRENT						
WD _{IN} Input Voltage Thresholds	WD _{IN,LO}	V _{WD_IN} falling	0.8	–	–	V
	WD _{IN,HI}	V _{WD_IN} rising	–	–	2	V
WD _{IN} Pull-Down Resistance [2]	R _{WD_IN}		–	50	–	kΩ
WD_IN TIMING SPECIFICATIONS						
WD _{IN} Period	t _{WDIN}	Default setting. Modified by register config_0, bits 7 and 6	–	250	–	μs
WD _{IN} Pulse High Time	t _{WDIN,HI}		50	–	–	μs
WD _{IN} Pulse Low Time	t _{WDIN,LO}		50	–	–	μs
GATE DRIVE ENABLE (POE)						
POE Output Voltage	V _{POE,L}	I _{POE} = 4 mA	–	150	400	mV
POE Output Voltage	V _{POE,H}	I _{POE} = -3.5 mA	2.85	–	–	V
Power Supply Disable Delay	t _{PS_DISABLE}	Time from POE going low due to watchdog fault to V5CAN starts to decay	40	50	60	ms
Anti-Latchup Timeout	t _{ANTI_LATCHUP}	Time from POE going low due to watchdog fault to when enable control is removed from the ENB pin	–	10	–	s

[1] For input and output current specifications, negative current is defined as coming out of the node or pin (sourcing), positive current is defined as going into the node or pin (sinking).

[2] Ensured by design and characterization, not production tested.

[3] Specifications at 25°C or 85°C are guaranteed by design and characterization, not production tested.

[4] The lowest operating voltage is only valid if the conditions V_{VIN} > V_{VIN,START} and V_{VCP} - V_{VIN} > V_{VCP,UV,H} and V_{VREG} > V_{VREG,UV,H} are satisfied before VIN is reduced.

ELECTRICAL CHARACTERISTICS – COMMUNICATIONS INTERFACE [1]: Valid at 3.8 V [4] ≤ VIN ≤ 36 V, -40°C ≤ TA = TJ ≤ 150°C, unless otherwise specified

Characteristic	Symbol	Test Conditions	Min.	Typ.	Max.	Unit
SERIAL INTERFACE (STRn, SDI, SDO, SCK)						
Input Low Voltage	V _{IL}		–	–	0.8	V
Input High Voltage	V _{IH}	All logic inputs	2	–	–	V
Input Hysteresis	V _{Ihys}	All logic inputs	250	550	–	mV
Input Pull-Down SDI, SCK	R _{PDS}	0 V < VIN < 5 V	–	50	–	kΩ
Input Pull-Up To VCC	I _{PU}	STRn	–	50	–	kΩ
Output Low Voltage	V _{OL}	I _{OL} = 1 mA [1]	–	0.2	0.4	V
Output High Voltage	V _{OH}	I _{OL} = –1 mA [1]	2.8	V _{DD} – 0.2	–	V
Output Leakage [1]	I _{LK,SDO}	0 V < V _{SDO} < 5.5 V, STRn = 1	–1	–	1	μA
Clock High Time	t _{SCKH}	A in figure 4	50	–	–	ns
Clock Low Time	t _{SCKL}	B in figure 4	50	–	–	ns
Strobe Lead Time	t _{STLD}	C in figure 4	30	–	–	ns
Strobe Lag Time	t _{STLG}	D in figure 4	30	–	–	ns
Strobe High Time	t _{STRH}	E in figure 4	300	–	–	ns
Data Out Enable Time	t _{SDOE}	F in figure 4	–	–	40	ns
Data Out Disable Time	t _{SDOD}	G in figure 4	–	–	30	ns
Data Out Valid Time From Clock Falling	t _{SDOV}	H in figure 4	–	–	40	ns
Data Out Hold Time From Clock Falling	t _{SDOH}	J in figure 4	5	–	–	ns
Data In Setup Time To Clock Rising	t _{SDIS}	K in figure 4	15	–	–	ns
Data In Hold Time From Clock Rising	t _{SDIH}	L in figure 4	10	–	–	ns
Wake Up From Sleep	t _{EN}		–	–	2	ms

[1] For input and output current specifications, negative current is defined as coming out of the node or pin (sourcing), positive current is defined as going into the node or pin (sinking).

[2] Ensured by design and characterization, not production tested.

[3] Specifications at 25°C or 85°C are guaranteed by design and characterization, not production tested.

[4] The lowest operating voltage is only valid if the conditions V_{VIN} > V_{VIN,START} and V_{VCP} – V_{VIN} > V_{VCP,UV,H} and V_{VREG} > V_{VREG,UV,H} are satisfied before VIN is reduced.

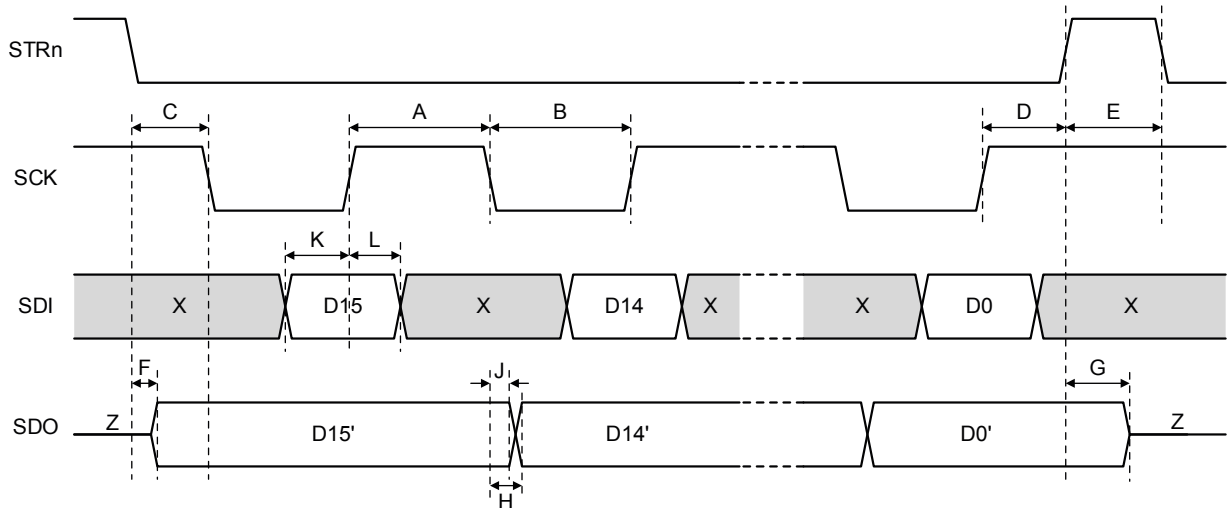


Figure 1: Serial Interface Timing
 X = don't care; Z = high-impedance (tri-state)

Table 1: Startup and Shutdown Logic (signal names consistent with Functional Block Diagram)

ARG81400 MODE	Regulator Control Bits (0=OFF, 1=ON)				ARG81400 Status Signals						
	VREG ON	3V3 ON	SYNC BUCK and V5A ON	V5B, V5P, and V5CAN ON	EN	MPOR	VREG UV	3V3 UV	SYNC BUCK and V5A UV	V5B, V5P, and V5CAN UV	NPOR
RESET	0	0	0	0	0	1	0	0	0	0	0
OFF	0	0	0	0	0	0	1	1	1	1	0
STARTUP	1	0	0	0	1	0	1	1	1	1	0
↓	1	1	0	0	1	0	0	1	1	1	0
↓	1	1	1	0	1	0	0	0	0	1	1
RUN	1	1	1	1	1	0	0	0	0	0	1
15 μs DEGLITCH	1	1	1	1	0	0	0	0	0	0	0
SHUTTING DOWN	1	1	1	1	0	0	0	0	0	0	0
↓	1	1	0	0	0	0	0	0	1	1	0
↓	1	0	0	0	0	0	0	1	1	1	0
OFF	0	0	0	0	0	0	1	1	1	1	0

X = DON'T CARE

EN = ENBAT + ENB

MPOR = VCC_UV + VCP_UV + BG1_UV + BG2_UV + TSD + VCP_OV (latched) + D1_{MISSING} (latched) + I_{LIM,LX1} (latched)

STARTUP TIMING DIAGRAM

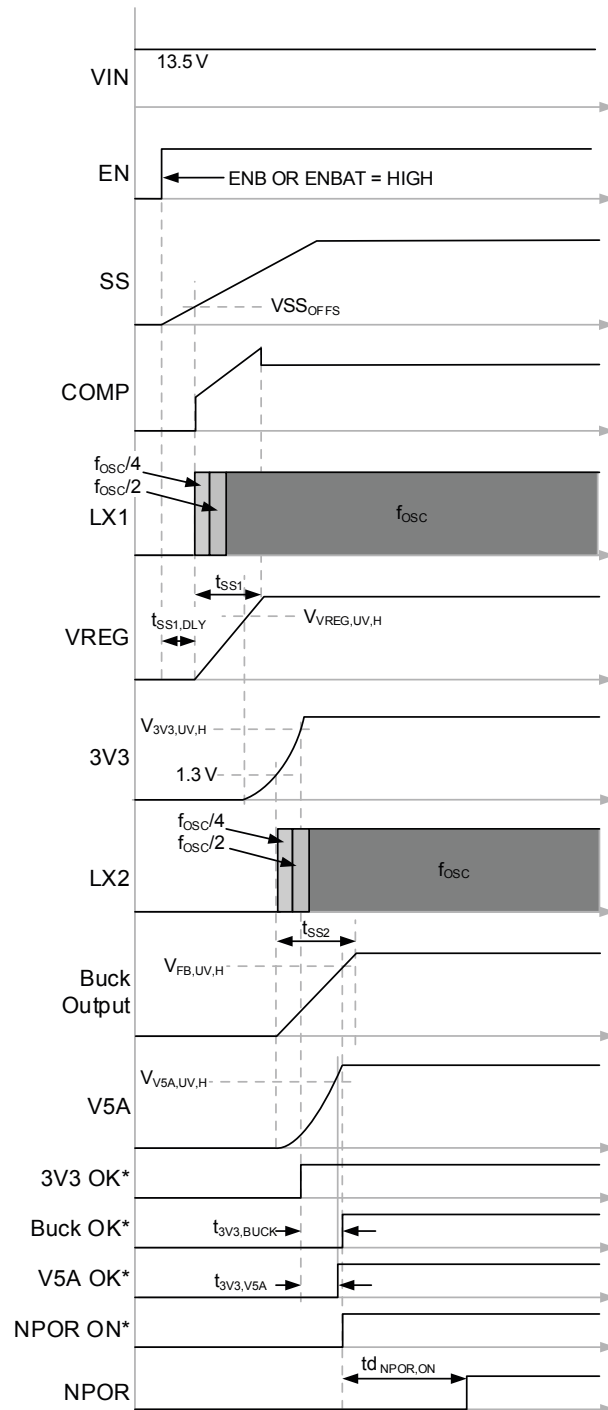
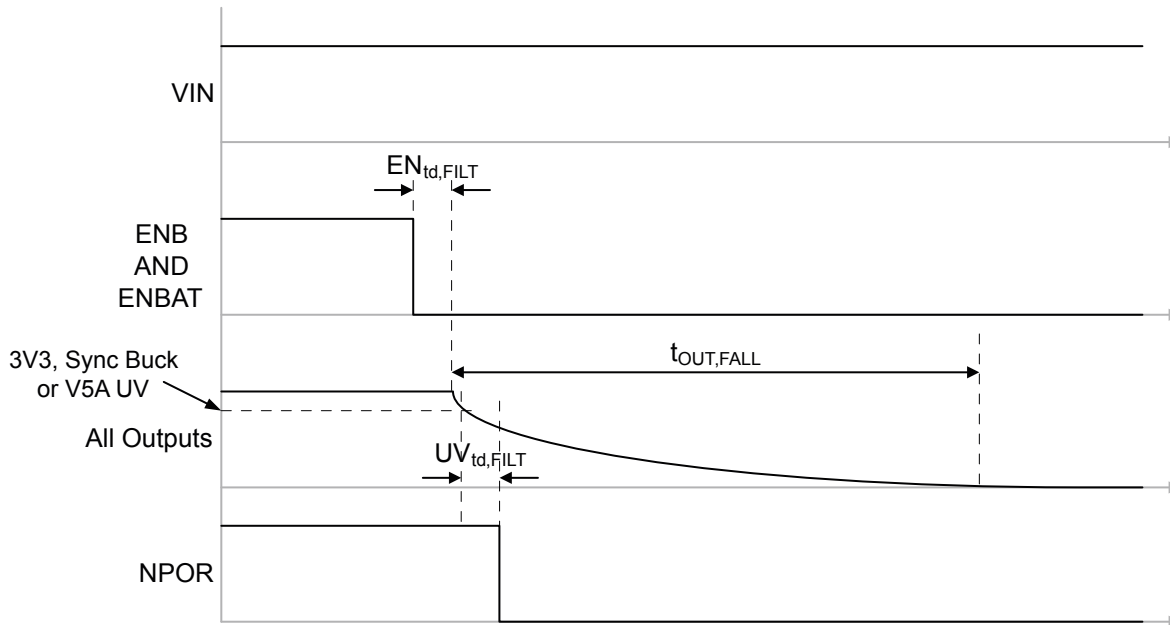


Figure 2: Startup Timing Diagram

SHUTDOWN TIMING DIAGRAM



All outputs start to decay $EN_{td,FILT}$ seconds after ENB and ENBAT are low. Time for outputs to drop to zero, $t_{OUT,FALL}$, varies for each output and depends on load current and capacitance. NPOR falls when 3V3, Sync Buck or V5A reaches its UV point.

Figure 3: Shutdown Timing Diagram

Table 2: Summary of Fault Mode Operation

FAULT TYPE and CONDITION	ARG81400 RESPONSE TO FAULT	LATCHED FAULT?	VCC	VCP	VREG	SYNC BUCK O/P	3V3	V5CAN	V5A	V5B	V5P	NPOR	FFn	POE	DIAG	SPI	WD	RESET METHOD
Latching Faults																		
CPUMP OV	Results in an MPOR after 1 detection, so all regulators are shut off	Yes	No effect	?	off	off	off	off	off	off	off	Low	Low	Low	102 kHz	On	On	None
VREG overvoltage $V_{REGOV2,H} < V_{VREG}$	Results in an MPOR after 1 detection, so all regulators are shut off	Yes	No effect	No effect	off	off	off	off	off	off	off	Low	Low	Low	204 kHz	On	On	Check the short/ Cycle EN or Vin / replace IC
VREG asynchronous diode (D1) missing	Results in an MPOR after 1 detection, so all regulators are shut off	Yes	No effect	No effect	off	off	off	off	off	off	off	Low	Low	Low	315 kHz	xx	xx	Place D1 then cycle EN or VIN
Asynchronous diode (D1) short circuited or LX1 shorted to ground	Results in an MPOR after the high side MOSFET current exceeds ILIM.LX1 so all regulators are shut off	Yes	No effect	No effect	off	off	off	off	off	off	off	Low	Low	Low	409 kHz	xx	xx	Remove the short then cycle EN or VIN
$V_{OV/UV}$ overvoltage	If OV condition persists for more than t _{OV} then set NPOR Low and shut off all regulators	Yes	No effect	No effect	off	off	off	off	off	off	off	Low	Low	Low	512 kHz	xx	xx	Check for short circuits then cycle EN or VIN
FB pin is open	FB pin will be pulled high, LX2 will stop switching	Yes	No effect	No effect	No effect	Low	off	off	off	off	off	Low	Low	Low	512 kHz	xx	xx	Connect the FB pin
Non-Latching Faults																		
Vin UVLO	IC is in reset state	No	Ramping	Vin	off	off	off	off	off	off	off	Low	Low	Low	Low	xx	xx	None
BG1 UVLO	IC is in reset state	No	Ramping	Vin	off	off	off	off	off	off	off	Low	Low	Low	Low	xx	xx	None
BG2 UVLO	IC is in reset state	No	Ramping	Vin	off	off	off	off	off	off	off	Low	Low	Low	Low	xx	xx	None
VCC UVLO	IC is in reset state	No	ON	Vin	off	off	off	off	off	off	off	Low	Low	Low	Low	xx	xx	None
VCC short limit	IC is in reset state	No	UVLO	Vin	off	off	off	off	off	off	off	Low	Low	Low	Low	xx	xx	None
CPUMP UVLO	IC is in reset state	No	ON	Ramping	off	off	off	off	off	off	off	Low	Low	Low	Low	xx	xx	None
VREG over voltage $V_{REGOV1,H} < V_{VREG}$	Stop PWM switching of LX1	No	No effect	No effect	No effect	No effect	No effect	No effect	No effect	No effect	No effect	Low if 3V3, $V_{OV/UV}$, or V5A are too Low	Low if V5 or V5P are too Low	Low	Low	No effect	No effect	None
VREG pin open circuit	VREG will decay to 0 V, LX1 will switch at maximum duty cycle so the voltage on the output capacitors will be very close to VBAT	No	No effect	No effect	off	off	off	off	off	off	off	Low	Low	Low	Low	No effect	No effect	Connect the VREG pin
VREG shorted to ground $V_{SS1} < V_{HIC1,EN}$, $V_{REG} < 1.95 V$, $V_{COMP1} \neq EA1_{VO(MAX)}$	Continue to PWM but turn off LX1 when the high side MOSFET current exceeds ILIM1	No	No effect	No effect	Shorted	off if Vreg <UVLO	off if Vreg <UVLO	off if Vreg <UVLO	off if Vreg <UVLO	off if Vreg <UVLO	off if Vreg <UVLO	Low if 3V3, $V_{OV/UV}$, or V5A are too Low	Low	Low	Low	No effect	No effect	Remove the short circuit
VREG overcurrent $V_{SS1} > V_{HIC1,EN}$, $V_{REG} < 1.95 V$, $V_{COMP1} = EA1_{VO(MAX)}$	Enters hiccup mode after 30 OCP faults	No	No effect	No effect	Shorted	off if Vreg <UVLO	off if Vreg <UVLO	off if Vreg <UVLO	off if Vreg <UVLO	off if Vreg <UVLO	off if Vreg <UVLO	Low if 3V3, $V_{OV/UV}$, or V5A are too Low	Low	Low	Low	No effect	No effect	Decrease the load
VREG overcurrent $V_{SS1} > V_{HIC1,EN}$, $V_{REG} > 1.95 V$, $V_{COMP1} = EA1_{VO(MAX)}$	Enters hiccup mode after 120 OCP faults	No	No effect	No effect	Shorted	off if Vreg <UVLO	off if Vreg <UVLO	off if Vreg <UVLO	off if Vreg <UVLO	off if Vreg <UVLO	off if Vreg <UVLO	Low if 3V3, $V_{OV/UV}$, or V5A are too Low	Low	Low	Low	No effect	No effect	Decrease the load

Continued on next page...

Table 2: Summary of Fault Mode Operation (continued)

FAULT TYPE and CONDITION	ARG81400 RESPONSE TO FAULT	LATCHED FAULT?	VCC	VCP	VREG	SYNC BUCK O/P	3V3	V5CAN	V5A	V5B	V5P	NPOR	FFn	POE	DIAG	SPI	WD	RESET METHOD
V _{OV/UV} undervoltage	Closed loop control will try to raise the voltage but may be constrained by the foldback or pulse-by-pulse current limit	No	No effect	No effect	No effect	No effect	No effect	No effect	No effect	No effect	No effect	Low	Low	Low	Low	No effect	No effect	Decrease the load
SYNC Buck overcurrent V _{SS2} > V _{HIC2,EN} , V _{FB} > 450 mV	Enters hiccup mode after 120 OCP faults	No	No effect	No effect	No effect	Low	No effect	No effect	No effect	No effect	No effect	Low	Low	Low	Low	No effect	No effect	Decrease the load
FB shorted to ground V _{SS2} < V _{HIC2,EN} , V _{FB} < 450 mV	Continue to PWM but turn off LX2 when the high-side MOSFET current exceeds ILIM2	No	No effect	No effect	No effect	Low	No effect	No effect	No effect	No effect	No effect	Low	Low	Low	Low	No effect	No effect	Remove the short circuit
3V3 undervoltage	Closed loop control will try to raise the voltage but may be constrained by the foldback or pulse-by-pulse current limit	No	No effect	No effect	No effect	No effect	Low	No effect	No effect	No effect	No effect	Low	Low	Low	Low	No effect	No effect	Decrease the load
3V3 overvoltage	If OV condition persists for more than t _{d,OV} then set NPOR Low	No	No effect	No effect	No effect	No effect	> V _{3V3,OV,H}	No effect	No effect	No effect	No effect	Low	Low	Low	Low	No effect	No effect	Check for short circuits
3V3 overcurrent	Foldback current limit will reduce the output voltage	No	No effect	No effect	No effect	No effect	Falling	No effect	No effect	No effect	No effect	Low if 3V3 < V _{3V3,UV,L}	Low if 3V3 < V _{3V3,UV,L}	Low if 3V3 < V _{3V3,UV,L}	Low	No effect	No effect	Decrease the load
V5P undervoltage	Closed loop control will try to raise the voltage but may be constrained by the foldback current limit	No	No effect	No effect	No effect	No effect	No effect	No effect	No effect	No effect	UVLO	No effect	Low	No effect	Low	No effect	No effect	Decrease the load
V5P over voltage or shorted to Vbat	If OV condition persists for more than t _{d,OV} then set FF Low	No	No effect	No effect	No effect	No effect	No effect	No effect	No effect	No effect	> V _{V5P,OV,H}	No effect	Low	No effect	Low	No effect	No effect	Check for short circuits on V5P
V5P overcurrent	Foldback current limit will reduce the output voltage	No	No effect	No effect	No effect	No effect	No effect	No effect	No effect	No effect	Falling	No effect	Low if V5P are too Low	No effect	Low	No effect	No effect	Decrease the load
V5A undervoltage	Closed loop control will try to raise the voltage but may be constrained by the foldback current limit	No	No effect	No effect	No effect	No effect	No effect	No effect	Low	No effect	No effect	Low	Low	Low	Low	No effect	No effect	Decrease the load
V5A overvoltage	If OV condition persists for more than t _{d,OV} then set POK5V Low	No	No effect	No effect	No effect	No effect	No effect	No effect	> V _{V5A,OV,H}	No effect	No effect	Low	Low	Low	Low	No effect	No effect	Check for short circuits on V5A
V5A overcurrent	Foldback current limit will reduce the output voltage	No	No effect	No effect	No effect	No effect	No effect	No effect	Falling	No effect	No effect	Low if V5A < V _{V5A,UV,L}	Low if V5A < V _{V5A,UV,L}	Low if V5A < V _{V5A,UV,L}	Low	No effect	No effect	Decrease the load
V5CAN overvoltage	If OV condition persists for more than t _{d,OV} then set POK5V Low	No	No effect	No effect	No effect	No effect	No effect	> V _{V5CAN,OV,H}	No effect	No effect	No effect	No effect	Low	No effect	Low	No effect	No effect	Check for short circuits on V5CAN

Continued on next page...

Table 2: Summary of Fault Mode Operation (continued)

FAULT TYPE and CONDITION	ARG81400 RESPONSE TO FAULT	LATCHED FAULT?	VCC	VCP	VREG	SYNC BUCK O/P	3V3	V5CAN	V5A	V5B	V5P	NPOR	FFn	POE	DIAG	SPI	WD	RESET METHOD
V5CAN undervoltage	Closed loop control will try to raise the voltage but may be constrained by the foldback current limit	No	No effect	No effect	No effect	No effect	No effect	Low	No effect	No effect	No effect	No effect	Low	No effect	Low	No effect	No effect	Decrease the load
V5CAN overcurrent	Foldback current limit will reduce the output voltage	No	No effect	No effect	No effect	No effect	No effect	Falling	No effect	No effect	No effect	No effect	Low if V5CAN is too Low	No effect	Low	No effect	No effect	Decrease the load
V5B overvoltage	If OV condition persists for more than t_{OV} then set POK5V Low	No	No effect	No effect	No effect	No effect	No effect	$> V_{V5CAN, OV,H}$	No effect	No effect	No effect	No effect	Low	No effect	Low	No effect	No effect	Check for short circuits on V5CAN
V5B undervoltage	Closed loop control will try to raise the voltage but may be constrained by the foldback current limit	No	No effect	No effect	No effect	No effect	No effect	No effect	No effect	No effect	No effect	No effect	Low	No effect	Low	No effect	No effect	Decrease the load
V5B overcurrent	Foldback current limit will reduce the output voltage	No	No effect	No effect	No effect	No effect	No effect	No effect	No effect	No effect	No effect	No effect	Low if V5B is too Low	No effect	Low	No effect	No effect	Decrease the load
Thermal shutdown	Results in an MPOR, so all regulators are shut off	No	No effect	No effect	No effect	off	off	off	off	off	off	off	Low	Low	Low	No effect	No effect	Let the ARG81400 cool

TIMING DIAGRAMS (not to scale)

* is for "and", + is for "or"

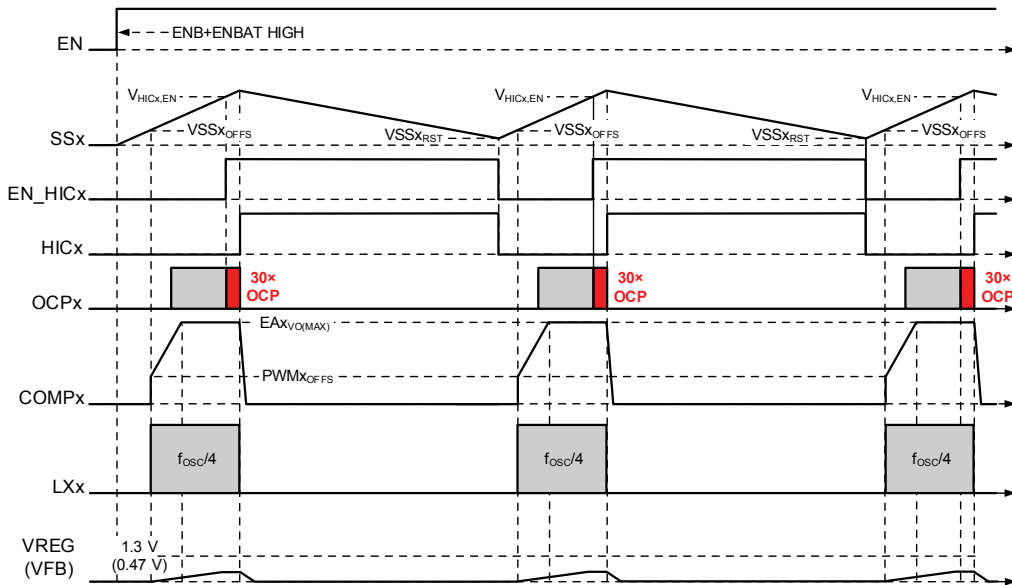


Figure 4: Hiccup Mode Operation with VREG or Synchronous Buck Shorted to GND ($R_{LOAD} < 50\text{ m}\Omega$)

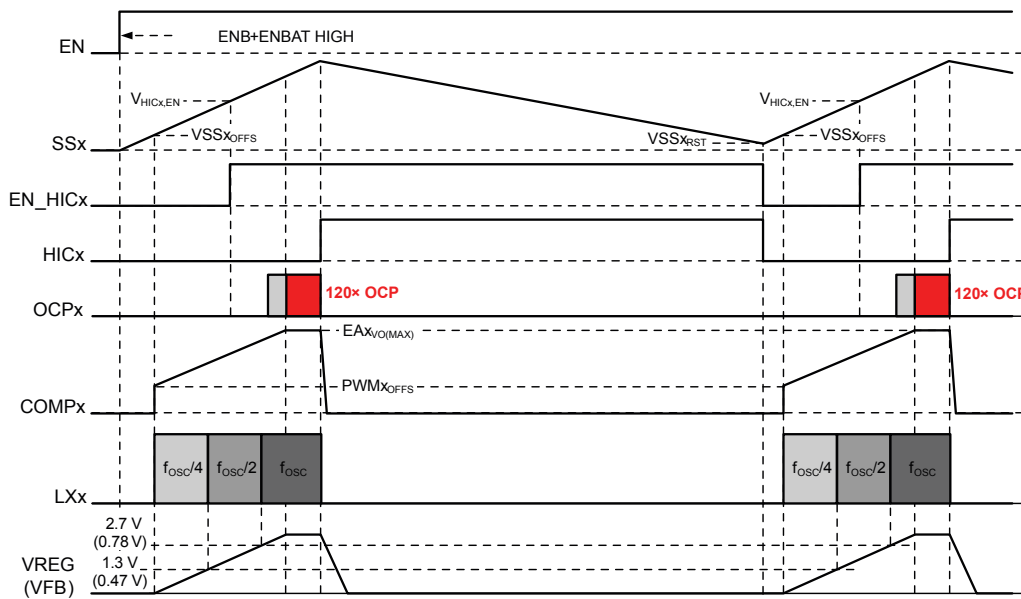


Figure 5: Hiccup Mode Operation with VREG or Synchronous Buck Overloaded ($R_{LOAD} \approx 0.5\ \Omega$)

FUNCTIONAL DESCRIPTION

Overview

The ARG81400 pre-regulator can be configured as a buck converter or buck-boost. Buck-boost is suitable for when applications need to work with extremely low battery voltages. This pre-regulator generates a fixed 5.35 V and can deliver up to 1.2 A to power the internal or external post-regulators. These post-regulators generate the various voltage levels for the end system.

The ARG81400 includes six internal post-regulators: five linear regulators and one adjustable output synchronous buck regulator.

Pre-Regulator

The pre-regulator incorporates an internal high side buck switch and a boost switch gate driver. An external freewheeling diode and LC filter are required to complete the buck converter. By adding a MOSFET and boost diode the pre-regulator can now maintain all outputs with input voltages down to 3.8 V.

The pre-regulator provides many protection and diagnostic functions:

1. Pulse-by-pulse and hiccup mode current limit
2. Undervoltage and overvoltage detection and reporting
3. Shorted switch node to ground
4. Open freewheeling diode protection
5. High voltage rating for load dump

Bias Supply

The bias supply (VCC) is generated by an internal linear regulator. This supply is the first rail to start up. Most of the internal control circuitry is powered by this supply. The bias supply includes some unique features to ensure safe operation of the ARG81400. These features include:

1. Input voltage undervoltage lockout
2. Output undervoltage detection and reporting
3. Overcurrent and short-circuit limit
4. Dual input, VIN and VREG, for low battery voltage operation
5. Short protection of the series pass device. If the internal linear regulator shorts to VIN this protection will ensure that the ARG81400 enters a safe mode.

Charge Pump

A charge pump doubler provides the voltage necessary to drive high-side n-channel MOSFETs in the pre-regulator and linear regulators. Two external capacitors are required for charge pump operation. During the first cycle of the charge pump action the flying capacitor, between pins CP1 and CP2, is charged either from VIN or VREG, whichever is highest. During the second cycle the voltage on the flying capacitor charges the VCP capacitor. The VCP minus VIN voltage is regulated to around 6.6 V

The charge pump incorporates some safety features:

1. Undervoltage and overvoltage detection and reporting
2. Overcurrent safe mode protection

Bandgap

Dual bandgaps are implemented within the ARG81400. One bandgap is dedicated to the voltage regulation loops within each of the regulators, VCC, VCP, VREG and the six post-regulators. The second is dedicated to the monitoring function of all the regulators undervoltage and overvoltage. This improves safety coverage and fault reporting from the ARG81400.

Should the regulation bandgap fail, then the outputs will be out of specification and the monitoring bandgap will report the fault.

If the monitoring bandgap fails, the outputs will remain in regulation, but the monitoring circuits will report the outputs as out of specification and trip the fault flag.

The bandgap circuits include two other bandgaps that are used to monitor the undervoltage state of the main bandgaps.

Enable

Two Enable pins are available on the ARG81400. A high signal on either of these pins enables the regulated outputs of the ARG81400. One Enable (ENB) is logic-level compatible. The second enable (ENBAT), is battery-level rated and can be connected to the ignition switch through a resistor.

A logic-level battery enable status (ENBATS) pin provides the user with a low-level signal of what the ENBAT input is doing.

Synchronous Buck

The ARG81400 integrates both the high-side and low-side switches necessary for implementing a synchronous buck converter. It is powered by the pre-regulator output. A 1.25 V feedback pin is provided to allow adjustment of the output from 1.25 to 3.3 V. A simple voltage divider sets the output voltage. If 1.25 V is required, then no divider is necessary and the converter output can be connected directly to the feedback pin. If the synchronous buck converter is configured as 1.25 V, then a minimum load of 100 μ A is required. This can either be the system load or an additional 10 k Ω from 1.25 V output to ground.

The synchronous buck requires an LC filter on its switch node to complete the regulation function.

Protection and safety functions provided by the synchronous buck are:

1. Pulse-by-pulse and hiccup mode current limit
2. Undervoltage and overvoltage detection and reporting
3. Shorted switch node to ground
4. Open feedback pin protection
5. Shorted high-side switch protection, OVP shuts down pre-regulator

Linear Regulators

The ARG81400 has five linear regulators, one 3.3V, three 5V and one protected 5V.

All linear regulators provide the following protection features:

1. Current limit with foldback
2. Undervoltage and overvoltage detection and reporting

The protected 5 V regulator includes protection against connection to the battery voltage. This makes this output most suitable for powering remote sensors or circuitry where short-to-battery is possible.

The pre-regulator powers these linear regulators which reduces power dissipation and temperature.

Fault Detection and Reporting

There is extensive fault detection within the ARG81400, as discussed previously. There are two fault reporting mechanisms used by the ARG81400: through hardwired pins and through a serial communications interface (SPI).

Two hardwired pins on the ARG81400 are used for fault reporting. The first pin, NPOR, reports on the status of the 3V3, the V5A, and synchronous buck outputs. This signal goes low if

either of these outputs is out of regulation. The second pin, FFn (Active Low fault flag), reports on all other faults. FFn goes low if a fault within the ARG81400 exists. The FFn pin can be used by the processor as an alert to check the status of the ARG81400 via SPI and see where the fault occurred.

The ARG81400 also includes a diagnostic pin, DIAG, to aid system debugging in the event of a failure. A series of pulses with 50% duty cycle will be sent to this pin. Their frequency will indicate what fault occurred within the ARG81400.

Fault	DIAG
LX1 or D1 short-to-ground	Low
Charge pump overvoltage	102 kHz
VREG overvoltage $V_{REG_{OV2,H}} < V_{VREG}$	204 kHz
VREG asynchronous diode (D1) missing	409 kHz
Synchronous buck overvoltage	512 kHz

Startup Self-Test

The ARG81400 includes self-test which is performed during the startup sequence. This self-test verifies the operation of the undervoltage and overvoltage detect circuits for the main outputs.

In the event the self-test fails, the ARG81400 will report the failure through SPI.

Undervoltage Detect Self-Test

The undervoltage (UV) detectors are verified during startup of the ARG81400. A voltage that is higher than the undervoltage threshold is applied to each UV comparator; this should cause the relative undervoltage fault bit in the diagnostic registers to change state. If the diagnostic UV register bits change state, the corresponding verify register bits will latch high. When the test of all UV detectors is complete, the verify register bits will remain high if the test passed. If any UV bits in the verify registers after test are not set high, then the verification has failed. The following UV detectors are tested: VREG, 3V3, V5A, V5B, V5P, V5CAN, and the synchronous buck.

Overvoltage Detect Self-Test

The overvoltage (OV) detectors are verified during startup of the ARG81400. A voltage is applied to each OV comparator that is higher than the overvoltage threshold; this should cause the relative overvoltage fault bit in the diagnostic registers to change state. If the diagnostic OV register bits change state, the corresponding verify register bits will latch high. When the test of all OV detectors is complete, the verify register bits will remain high if the test passed. If any OV bits in the verify registers after test are not set high, then the verification has failed. The following OV detectors are tested: VREG, 3V3, V5A, V5B, V5P, V5CAN,

and the synchronous buck.

Overtemperature Shutdown Self-Test

The overtemperature shutdown (TSD) detector is verified on startup of the ARG81400. A voltage is applied to the comparator that is lower than the overtemperature threshold, and should cause the general fault flag to be active and an overtemperature fault bit, TSD, to be latched in the Verify Result register 0. When the test is complete, the general fault flag will be cleared and the overtemperature fault will remain in the Verify Result register 0 until reset. If the TSD bit is not set, then the verification has failed.

Power-On Enable Self-Test

The ARG81400 also incorporates continuous self-testing of the power-on enable (POE) output. It compares the status of the POE pin with the internal demanded status. If they differ for any reason, an FFn is set and the POE_OK in SPI diagnostic register goes low.

Watchdog

The watchdog circuit within the ARG81400 will monitor a temporal signal from a processor for its period between pulses. If the signal does not meet the requirements, the ARG81400 watchdog will put the system into a safe state. It does this by setting the power-on enable (POE) pin Low, removing enabling function of ENB pin for the ARG81400 and disabling the V5CAN output. See Figure 6 for a simplified block diagram of the watchdog circuit.

The watchdog function (see Figure 7) uses two timers and two counters to validate the incoming temporal signal. The user has some ability to program the counters and timer windows through SPI.

The first counter counts the rising edges of the temporal signal. If the correct count is completed after the minimum timer expires and before the maximum timer expires, then the second (valid) counter is incremented. Once the valid counter has incremented the programmed number of counts, the watchdog issues a watchdog OK (WD_IN_OK) signal. This signal, along with NPOR, 3V3 enable, synchronous buck enable, and nERROR, enables the POE.

If the edge count reaches its final value before the minimum timer or after the maximum timer expires, the valid counter decrements. Once the valid counter reaches zero, the watchdog fault signal issues a fault has occurred. The POE is driven low; after a timeout period, the V5CAN output is disabled, and after a further timeout, enabling of the ARG81400 via the ENB pin is no longer possible.

If insufficient edges are received before the maximum timer

expires, the valid counter decrements and the minimum and maximum counters are reset and start to count again. If an edge is subsequently received the timers reset once again to synchronize on the incoming pulses. The valid counter is not decremented in this instance (see cases C and G on pages 32 and 36, respectively.)

The number of edge counts, valid counts, and timer windows can be programmed through SPI. The min and max timer nominal values in milliseconds are calculated by the following equations:

$$t_{WD,MIN} = k_{EDGE} \times WD_IN_PERIOD_MIN$$

$$t_{WD,MAX} = k_{EDGE} \times WD_IN_PERIOD_MAX$$

where k_{EDGE} is the edge count number programmed through SPI (default is 2),

WD_IN_PERIOD_MIN is the min timer value in microseconds programmed in SPI, and

WD_IN_PERIOD_MAX is the min timer value in microseconds programmed in SPI.

Tolerance on $t_{WD,MIN}$ and $t_{WD,MAX}$ is related to the system clock tolerance, $f_{SYS,TOL}$ in %, by the following equations:

$$MAX_TOL = \frac{100}{100 - f_{SYS,TOL}} - 1 = +4.1\%$$

$$MIN_TOL = \frac{100}{100 + f_{SYS,TOL}} - 1 = -3.8\%$$

The watchdog also has provision to be placed in “flash mode”. While in flash mode the watchdog keeps the POE signal low but does not disable the V5CAN or the ENB function. This is required should the processor need to be re-flashed. Flash mode is accessed through secure SPI commands. To exit “flash mode”, the watchdog must be restarted via separate secure SPI commands. If the ARG81400 has not lost power during flash mode, then the watchdog will restart with the previous configuration. If power was lost during flash mode, then the watchdog configuration will be reset to default.

On startup, the watchdog (WD_IN) must receive a series of valid and qualified pulse trains, per the programmed EDGE_COUNT and VALID_COUNT registers, followed by a series of invalid qualified pulses. Once a second series of valid and qualified pulses are received before the power supply disable time ($t_{PS_DISABLE}$) expires, then the watchdog enters the active state and the WD_F signal on SPI becomes active (see Figure 6). During the test state, WD_F is not active and FFn does not alert a watchdog fault. When the watchdog is waiting for the second series of pulse on WD_IN, it sets the valid counter to one half its programmed value. This aids

in speeding up startup of a system using the ARG81400. Once the WD_IN pulses have met all criteria and POE is released, then the valid counter reverts to its correct programmed value. If the second series of pulses is not received before the $t_{PS_DISABLE}$ time, then the watchdog will enter watchdog fault mode. It will set the POE signal low, disable the V5CAN, and after $t_{ANTI_LATCHUP}$ remove enable control via ENB.

If the watchdog has indicated invalid WD_IN pulses, it latches the POE signal low. Once the power supply disable time ($t_{PS_DISABLE}$) expires, then the watchdog will disable the V5CAN. After the anti-latchup timeout, $t_{ANTI_LATCHUP}$, then the watchdog will remove Enable control via the ENB pin. The only way to prevent this would be to restart the watchdog either through SPI or shutting down and restarting the ARG81400.

The processor can restart the watchdog by using a secure SPI command.

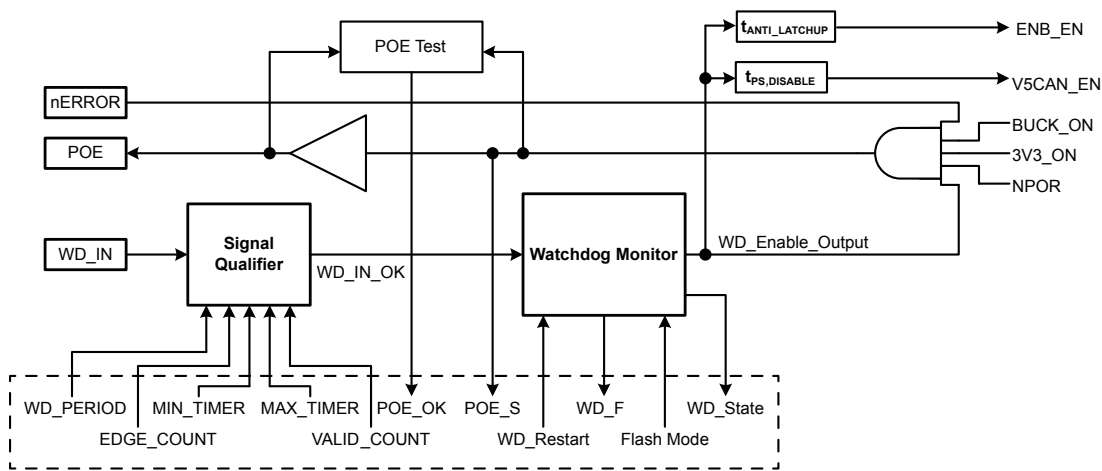
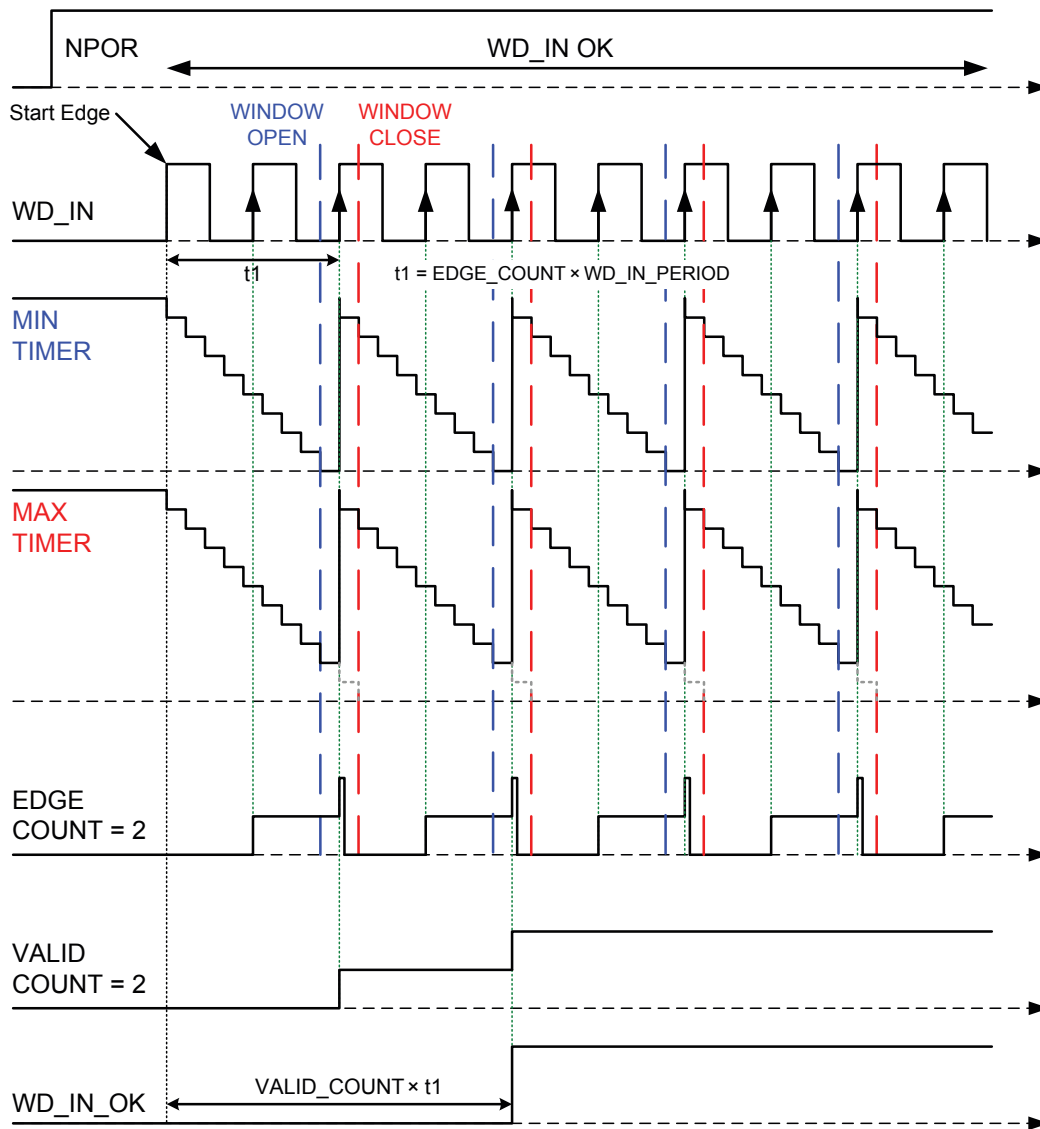
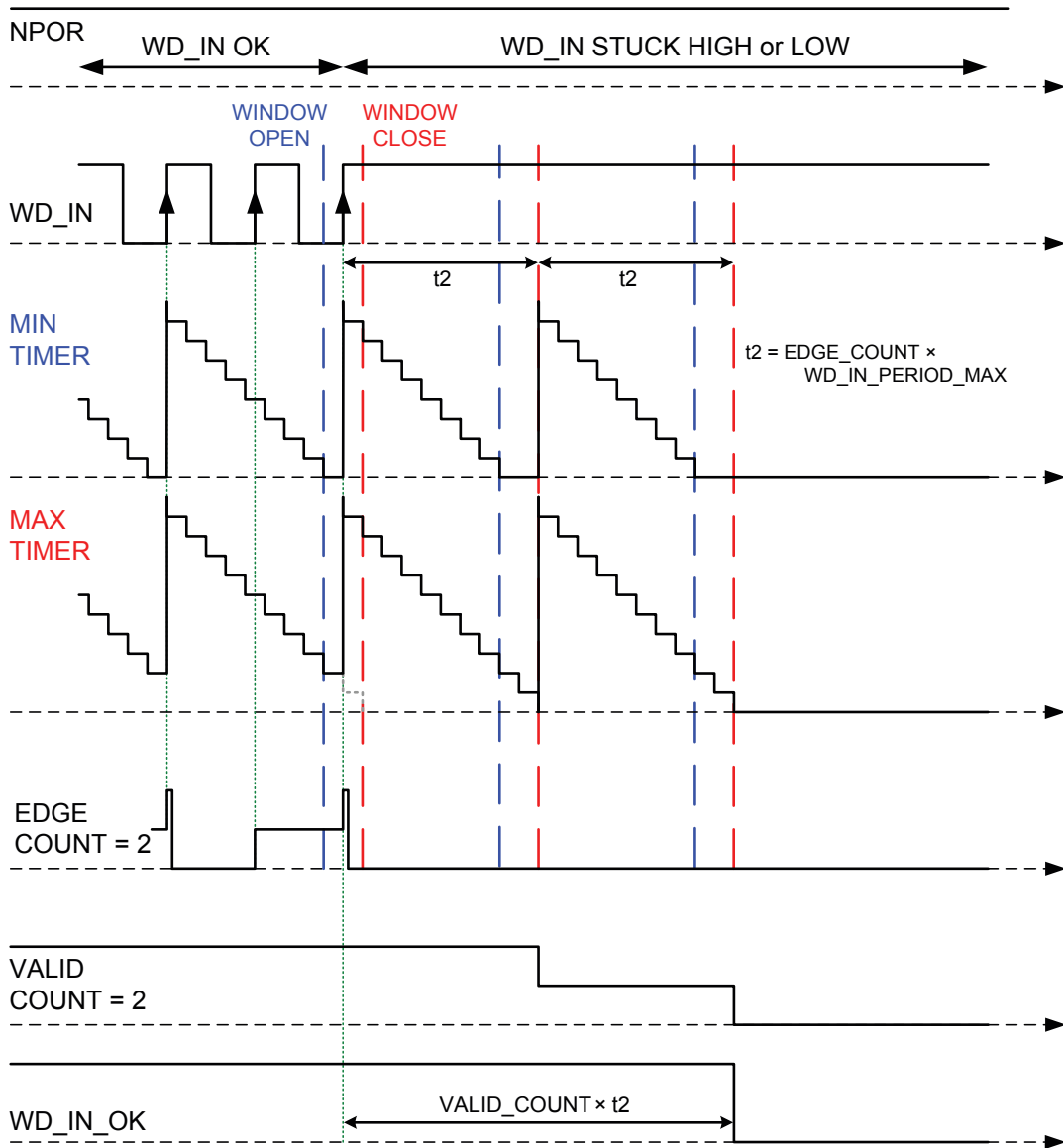


Figure 6: Watchdog Block Diagram

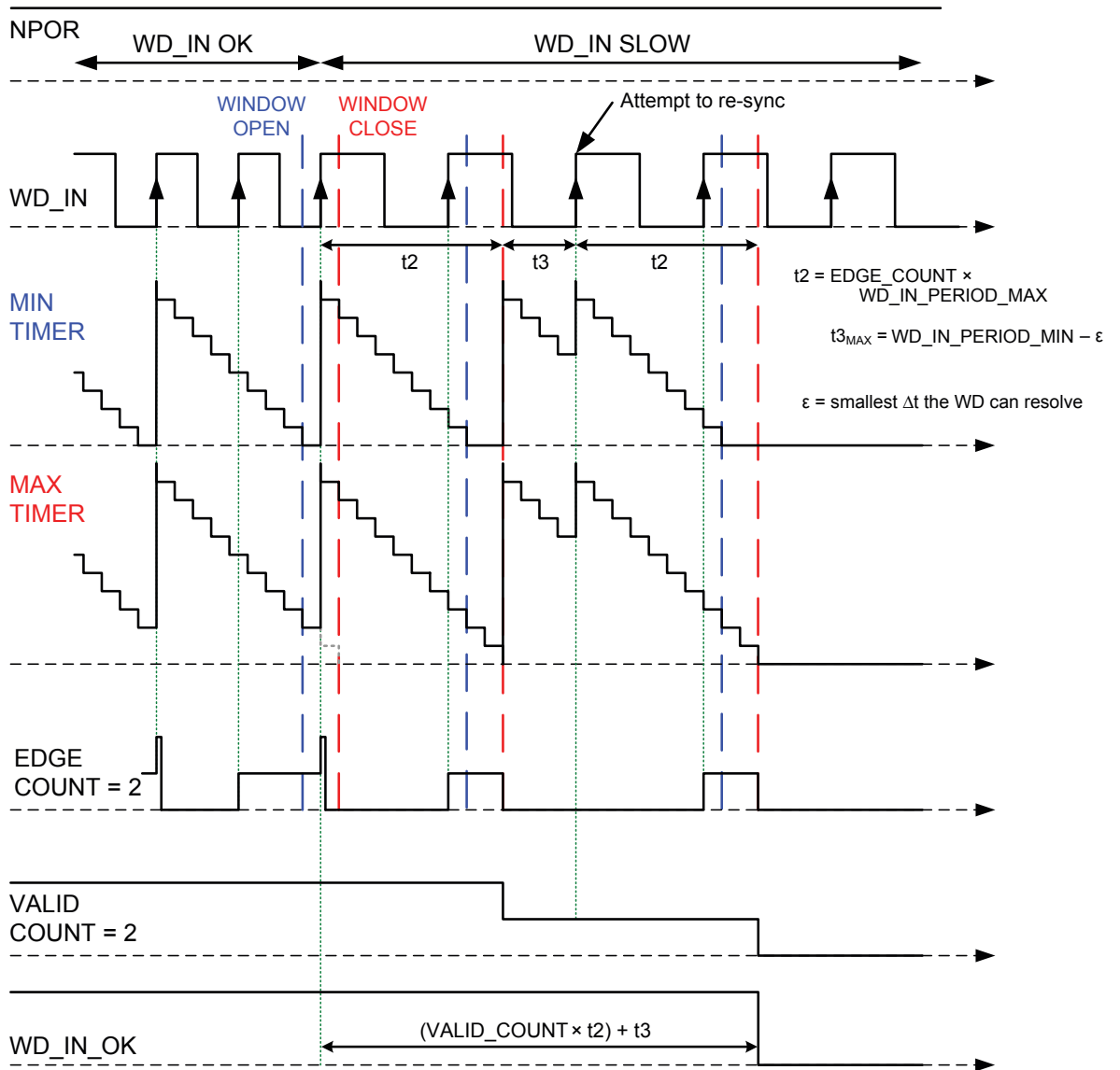
FIGURE 7 A-H: WATCHDOG VALID SIGNAL TIMING DIAGRAMS



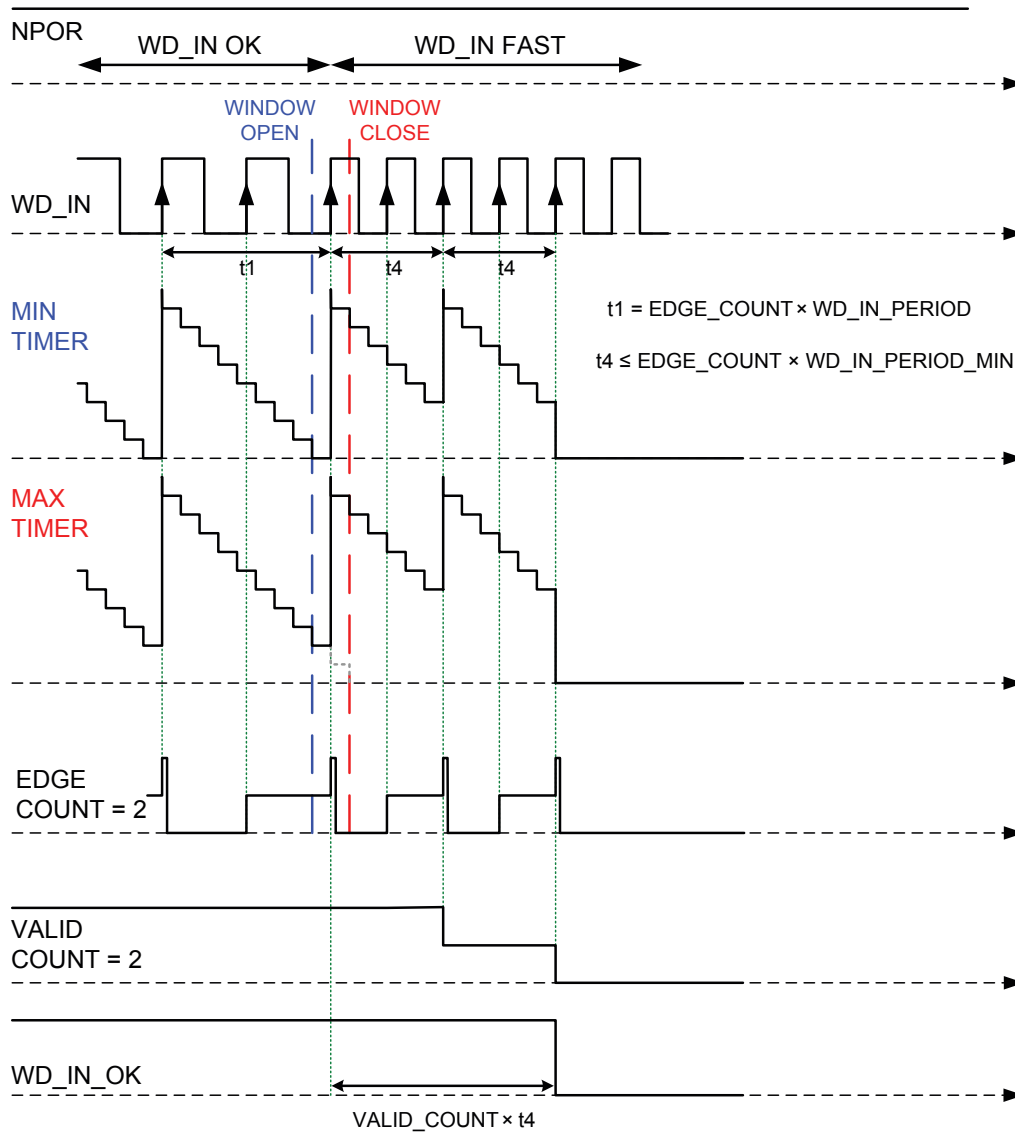
CASE A: EDGE = 2, VALID = 2, WD_IN OK



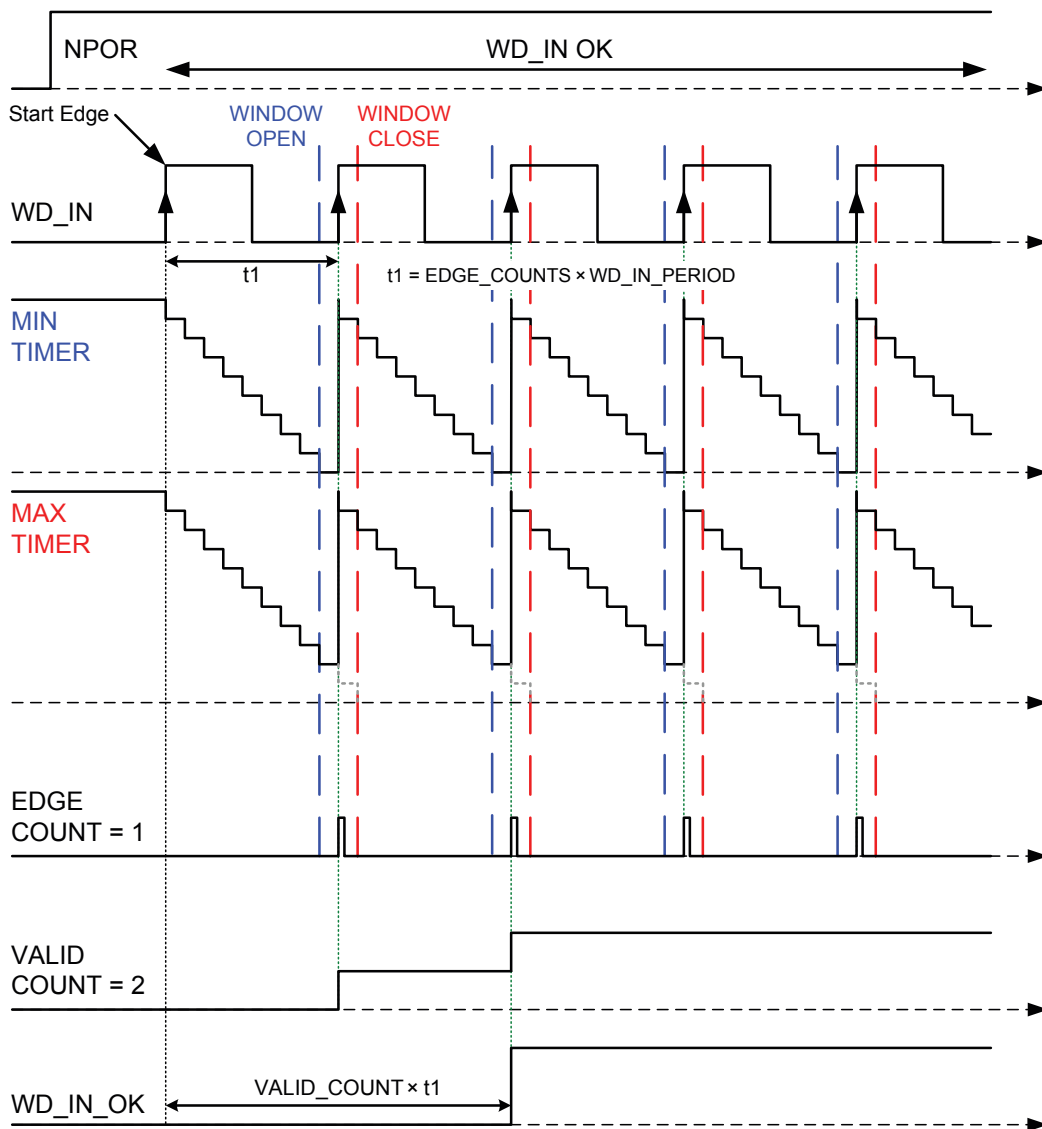
CASE B: EDGE = 2, VALID = 2, WD_IN STUCK HIGH



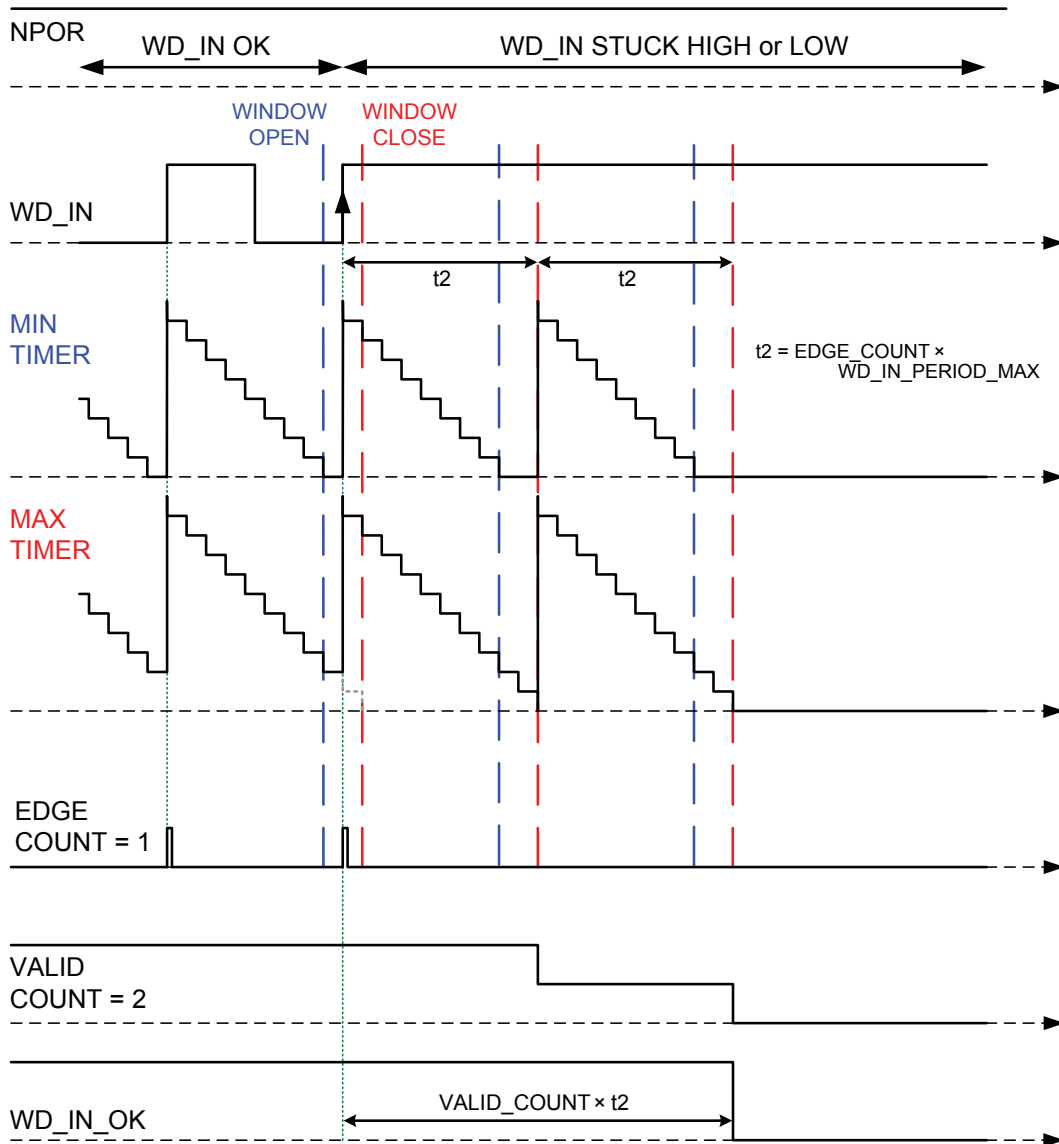
CASE C: EDGE = 2, VALID = 2, WD_IN SLOW



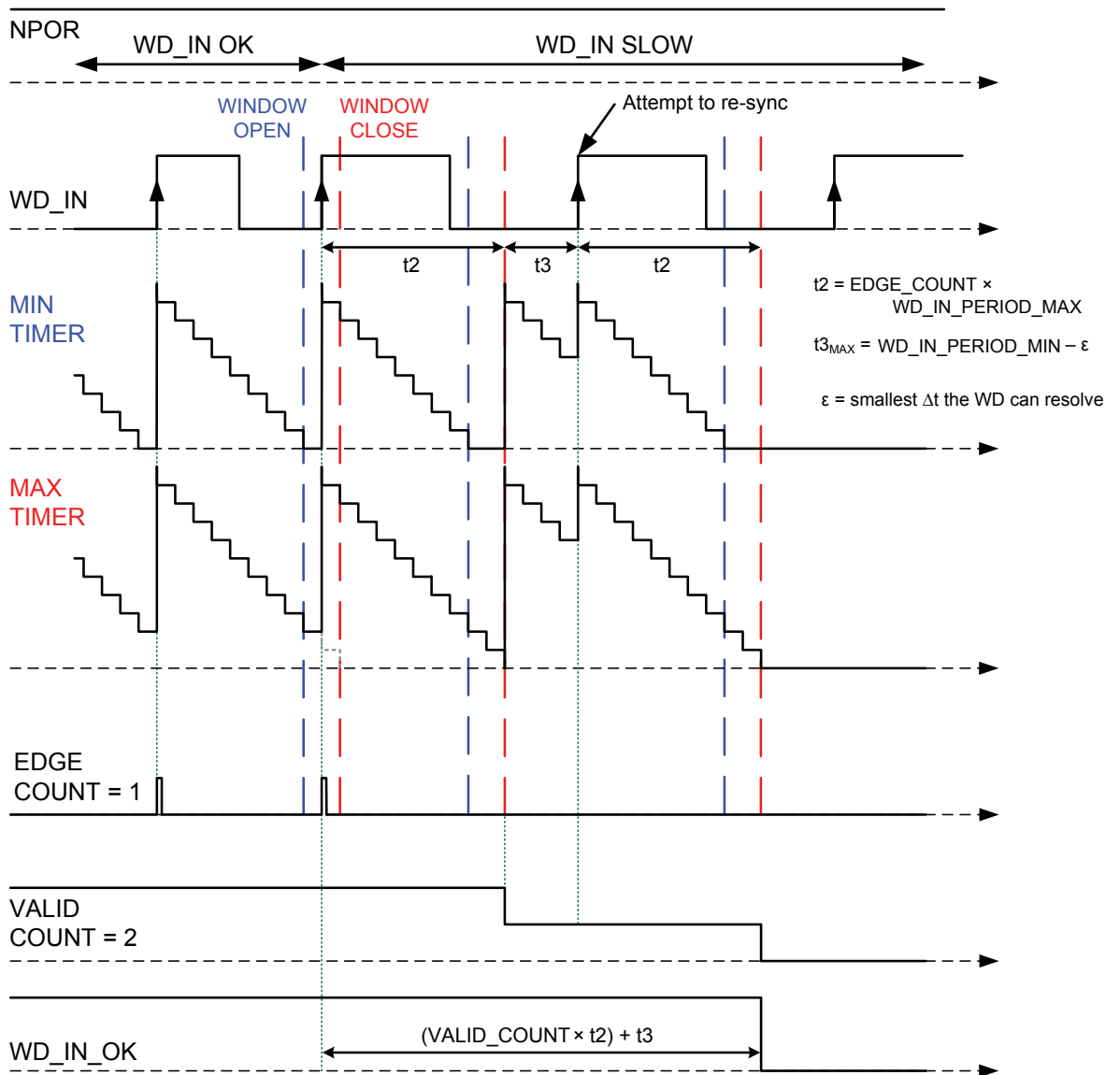
CASE D: EDGE = 2, VALID = 2, WD_IN FAST



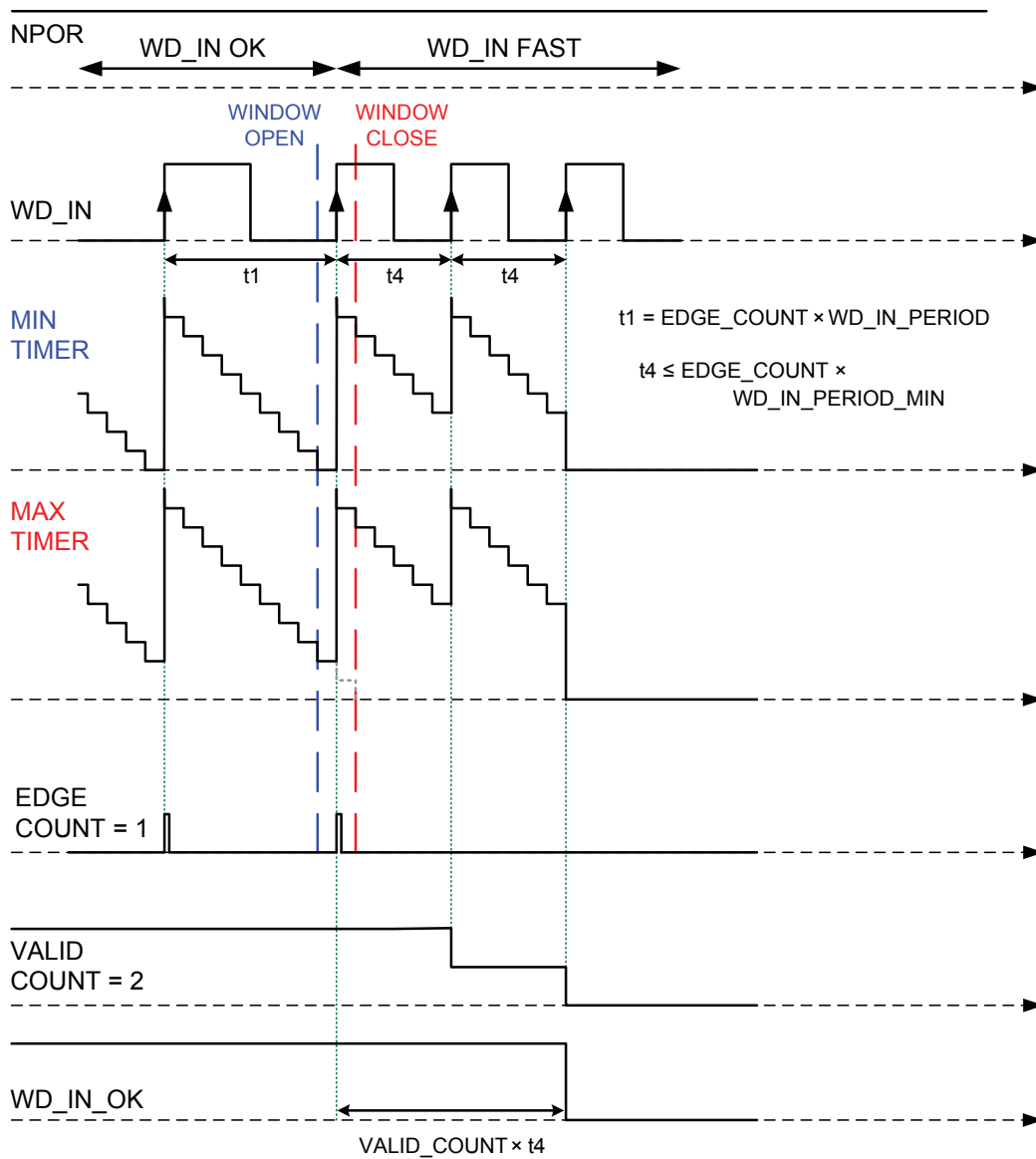
CASE E: EDGE = 1, VALID = 2, WD_IN OK



CASE F: EDGE = 1, VALID = 2, WD_IN STUCK HIGH



CASE G: EDGE = 1, VALID = 2, WD_IN SLOW



CASE H: EDGE = 1, VALID = 2, WD_IN FAST

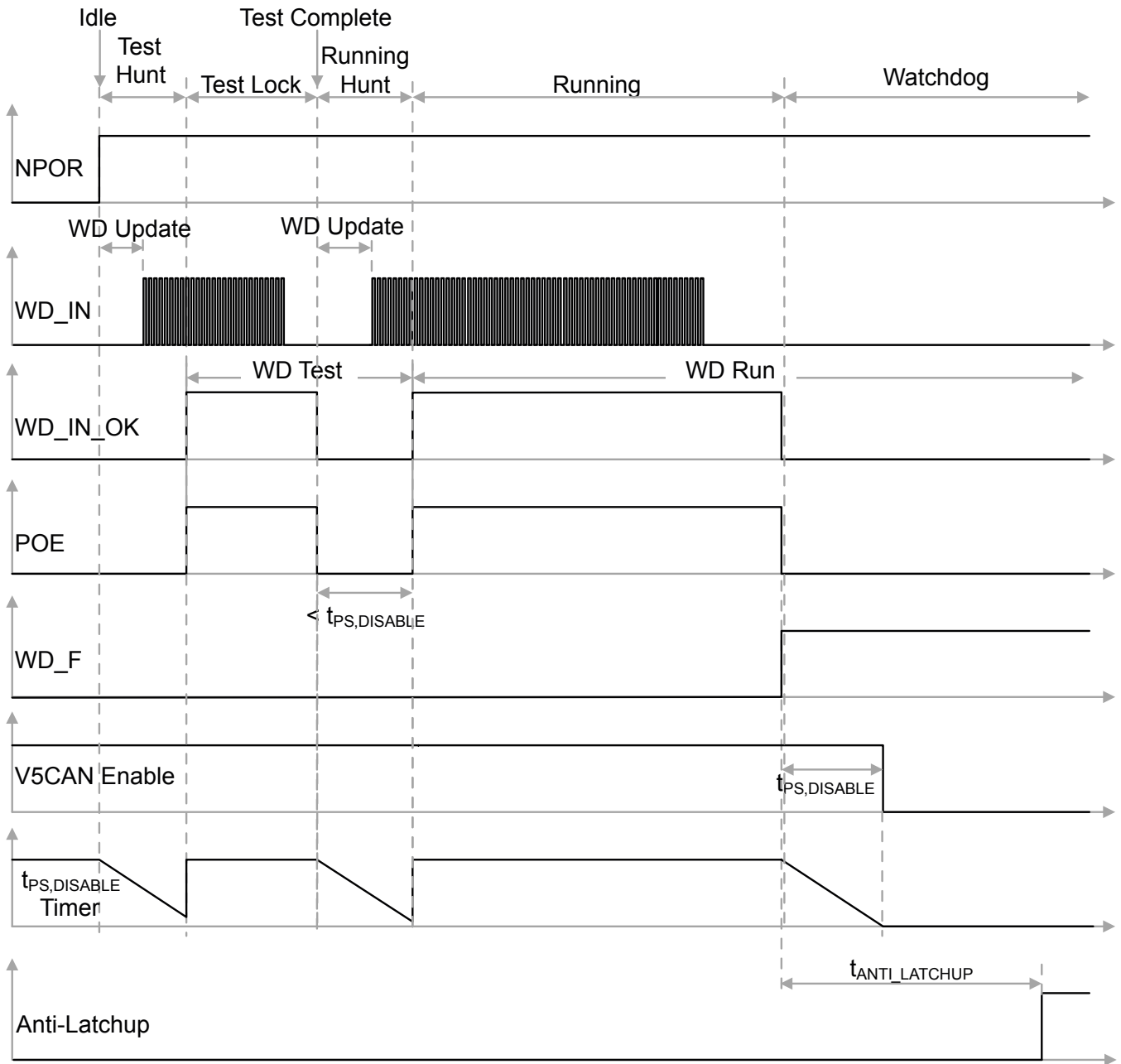


Figure 8: Watchdog Timing at Startup

SERIAL COMMUNICATION INTERFACE

The ARG81400 provides the user with a three-wire synchronous serial interface that is compatible with SPI (Serial Peripheral Interface). A fourth wire can be used to provide diagnostic feedback and readback of the register content.

The serial interface timing requirements are specified in the electrical characteristics table and illustrated in the Serial Interface Timing diagram (Figure 1). Data is received on the SDI terminal and clocked through a shift register on the rising edge of the clock signal input on the SCK terminal. STRn is normally held high, and is only brought low to initiate a serial transfer. No data is clocked through the shift register when STRn is high, allowing multiple SDI slave units to use common SDI, SCK and SDO connections. Each slave then requires an independent STRn connection.

When 16 data bits have been clocked into the shift register, STRn must be taken high to latch the data into the selected register. When this occurs, the internal control circuits act on the new data and the Diagnostic register is reset.

If there are more than 16 rising edges on SCK or if STRn goes high and there are fewer than 16 rising edges on SCK, the write will be cancelled without writing data to the registers. In addition, the Diagnostic register will not be reset and the SE (serial error) bit will be set to indicate a data transfer error.

Diagnostic information or the contents of the configuration and control registers are output on the SDO terminal MSB first, while STRn is low, and changes to the next bit on each falling edge of SCK. The first bit, which is always the FF (fault flag) bit from the Diagnostic register, is output as soon as STRn goes low.

Each of the programmable (configuration and control) registers has a write bit, WR (bit 10), as the first bit after the register address. This bit must be set to 1 to write the subsequent bits into the selected register. If WR is set to 0, then the remaining data bits (bits 9 to 0) are ignored. The state of the WR bit also determines the data output on SDO. If WR is set to 1 then the Diagnostic register is output. If WR is set to 0, then the contents of the register selected by the first five bits is output. In all cases, the first bit output on SDO will always be the FF bit from the Diagnostic Register.

The ARG81400 has 12 register banks. Bit <15:11> represents the register address for read and write. Bit <10> detects the read and write operation: for write operation, Bit <10> = 1, and for read operation, bit value is logic low. Bit <9> is an unused bit. Maximum data size is eight bits so Bit <8:1> represents the data word. The last bit in a serial transfer, Bit <0>, is a parity bit that is set to ensure odd parity in the complete 16-bit word. Odd parity means that the total number of 1s in any transmission should always be an odd number. This ensures that there is always at least one bit

Pattern at SDI Pin

MSB															LSB
15	14	13	12	11	10	9	8	7	6	5	4	3	2	1	0
A4	A3	A2	A1	A0	W/R	NU	D7	D6	D5	D4	D3	D2	D1	D0	P
5-Bit Address							8-Bit Data								

Pattern at SDO Pin after SDI Write

MSB															LSB
15	14	13	12	11	10	9	8	7	6	5	4	3	2	1	0
FF	SE	ENBATS	WD_F	TSD_OK	VREG_OK	BUCK_OK	VCC_OK	VCP_OK	V5P_OK	V5B_OK	V5A_OK	V5CAN_OK	3V3_OK	0	P
Diagnostics															

Pattern at SDO Pin after SDI Read

MSB															LSB
15	14	13	12	11	10	9	8	7	6	5	4	3	2	1	0
FF	SE	ENBATS	WD_F	TSD_OK	VREG_OK	BUCK_OK	D7	D6	D5	D4	D3	D2	D1	D0	P
Diagnostics							8-Bit Data								

set to 1 and one bit set to 0, and allows detection of stuck-at faults on the serial input and output data connections. The parity bit is not stored but generated on each transfer.

Register data is output on the SDO terminal MSB first, while STRn is low, and changes to the next bit on each falling edge of the SCK. The first bit which is always the FF bit from the status register, is output as soon as STRn goes low.

If there are more than 16 rising edges on SCL, or if STRn goes high and there are fewer than 16 rising edges on SCK, then the write will be cancelled without writing data to the registers. In addition, the diagnostic register will not be reset; the SE bit will be set to indicate a data transfer error

SDI: Serial data logic input with pull-down. 16-bit serial word, input MSB first.

SCK: Serial clock logic input with pull-down. Data is latched in from SDI on the rising edge of SCL. There must be 16 rising edges per write and SCK must be held high when STRn changes.

STRn: Serial data strobe and serial access enable logic input with pull-up. When STRn is high, any activity on SCK or SDI is ignored and SDO is high impedance, allowing multiple SDI slaves to have common SDI, SCK, and SDO connections.

SDO: Serial data output. High impedance when STRn is high. Output bit 15 of the status register, the fault flag (FF), as soon as STRn goes low.

Register Mapping

STATUS REGISTERS

The ARG81400 provides 3 status registers. These registers are read-only. They provide real-time status of various functions within the ARG81400.

These registers report on the status of all six system rails. They also report on internal rail status, including the charge pump, VREG, VCC, and VDD rails. The general fault flag and watchdog fault state are found in these status registers.

The logic that creates the power-on enable and power reset status are reported through these registers.

CONFIGURATION REGISTERS

The ARG81400 allows configuration of the window watchdog period, timing, and pulse validation parameters. The window watchdog is programmable to accept a clock with a period of either 250, 500, 1000, or 2000 μ s.

An edge counter increments on every rising edge received at WD_IN. The EDGE_COUNT register stores the number of edges

that must occur after the minimum timer has expired and before the maximum timer has expired. The valid counter increments upwards on a successful edge count or decrements on an unsuccessful edge count. Once the valid counter reaches the VALID_COUNT upward counts, the pulses on WD_IN are considered valid and the watchdog fault, WD_F, goes low.

The number of watchdog edges counted before incrementing the valid counter can be selected. This also sets the timer value. The minimum and maximum timers can be adjusted from nominal in 0.6% steps. The number of positive counts before the valid signal state changes can also be set.

EDGE_COUNT [0:1], 2-bit integer to set the number of edges before the valid counter is incremented.

WD_IN_PERIOD_MIN [0:2], 3-bit integer to adjust the minimum timer nominal value in 0.6% steps.

WD_IN_PERIOD_MAX [0:2], 3-bit integer to adjust the maximum timer nominal value in 0.6% steps.

VALID_COUNT [0:1] 2-bit integer to set the number of up counts on the valid counter before declaring a valid pulse train on WD_IN.

The watchdog configuration registers can be written to at any time. The watchdog will update during either hunt states when it receives the first pulse on WD_IN, as shown in Figure 8 WD update. If the user wants to change the watchdog configuration after the hunt states, then a WD_RESTART is required.

The ARG81400 uses frequency dithering for the two switching regulators to help reduce EMC noise. The user can disable this feature through the SPI. Default is enabled.

DIAGNOSTIC REGISTERS

There are multiple diagnostic registers in the ARG81400. These registers can be read to evaluate the status of the ARG81400. The high-level registers will tell which area a fault has occurred. Logic high on a data bit in this register implies that no fault has occurred. The following are monitored by these registers.

- All six outputs
- ARG81400 bias voltage
- Charge pump voltage
- Pre-regulator voltage
- Overtemperature
- Watchdog output
- Shorts on LX pins or open diode on pre-regulator

Note some of these faults will cause the ARG81400 to shut down, which might shutdown the microprocessor monitoring the SPI. In

this event, the only way to read the fault would be to have alternative power to the microprocessor so it can read the registers. If VCC of the ARG81400 shuts down, all stored register information is lost and the registers revert back to default values.

Other diagnostic registers store more detail on each fault; these include:

- Overvoltage on a particular output or internal rail
- Undervoltage on a particular output or internal rail
- Overcurrent on a rail

The diagnostic registers are latch registers and will hold data if a fault has occurred but recovered. So during startup, these registers will record a UV event on all outputs. On first read, these UV events will be reported. It is recommended to reset these registers after startup to ensure full fault reporting. These registers are reset by writing a 1 to them.

DISABLE REGISTER

The disable register provides the user control of the 5 V outputs. Two bits must be set high to disable an output. If only one bit is high, then the outputs remain on. Note V5CAN requires a watch-

dog reset to re-enable its output. Set register 0x06 bit 0 and bit 4 to 0; issue watchdog reset through register 0x07.

WATCHDOG MODE KEY REGISTER

At times it may be necessary to re-flash or restart the processor. To do this, the user must put the watchdog into “Flash Mode” or “restart. This is done writing a sequence of key words to the “watchdog_mode_key” register. If the correct word sequence is not received, then the sequence must restart.

Once flash is complete, the processor must send the restart sequence of key words for the watchdog to exit “Flash Mode”. If VCC has not been removed from the ARG81400, the watchdog will restart with the current configuration.

VERIFY RESULT REGISTERS

On every startup, the ARG81400 performs a self-test of the UV and OV detect circuits. This test should cause the diagnostic registers to toggle state. If the diagnostic register successfully changes state, the verify result register will latch high. Upon completion of startup, the system’s microprocessor can check the verify result registers to see if the self-test passed.

Register Map

HEX Address	Register Name	DEC Address	Type	Bit 7	Bit 6	Bit 5	Bit 4	Bit 3	Bit 2	Bit 1	Bit 0
0x00	status_0	0	RO	FF	POE_OK	VCC_OK	VDD_OK	V5P_OK	V5B_OK	V5A_OK	V5CAN_OK
0x01	status_1	1	RO		NPOR_OK	WD_F	TSD_OK	VCP_OK	VREG_OK	3V3_OK	BUCK_OK
0x02	status_2	2	RO	CLK_Hi	CLK_Lo	NPOR_S	POE_S	ENBATS	WD_STATE		
0x03	diag_0	3	RW1C	V5A_OV	V5A_UV	V5CAN_OV	V5CAN_UV	V5P_OV	V5P_UV	V5B_OV	V5B_UV
0x04	diag_1	4	RW1C	VDD_OV	VDD_UV	VREG_OV	VREG_UV	3V3_OV	3V3_UV	BUCK_OV	BUCK_UV
0x05	diag_2	5	RW1C		LX2_OK	LX1_OK	D1_OK		VCC_UV	VCP_OV	VCP_UV
0x06	output_disable	6	RW	V5P_DIS1	V5A_DIS1	V5B_DIS1	V5CAN_DIS1	V5P_DIS0	V5A_DIS0	V5B_DIS0	V5CAN_DIS0
0x07	watchdog_mode_key	7	WO	Keycode Entry (Write Only)							
			RO	0	0	0	0	0	0	0	Unlocked
0x08	config_0	8	RW	WD_IN_PERIOD			WD_IN_PERIOD_MAX			WD_IN_PERIOD_MIN	
0x09	config_1	9	RW				DITH_DIS	VALID_COUNT		EDGE_COUNT	
0x0A	verify_result_0	10	RW1C	V5A_OV_OK	V5A_UV_OK	V5CAN_OV_OK	V5CAN_UV_OK	V5P_OV_OK	V5P_UV_OK	V5B_OV_OK	V5B_UV_OK
0x0B	verify_result_1	11	RW1C	BIST_PASS	TSD_OK	VREG_OV_OK	VREG_UV_OK	3V3_OV_OK	3V3_UV_OK	BUCK_OV_OK	BUCK_UV_OK

Register Types:

- RO = Read-Only
- RW = Read or Write
- RW1C = Read or Write 1 to clear
- WO = Write-Only

0X00. STATUS REGISTER 0:

D7	D6	D5	D4	D3	D2	D1	D0
FF	POE_OK	VCC_OK	VDD_OK	V5P_OK	V5B_OK	V5A_OK	V5CAN_OK
0	0	0	0	0	0	0	0

Address 00000

Read-only register

Data

FF [D7]: Fault flag, 0 = no fault, 1 = fault

POE_OK [D6]: Power-on enable signal matches what ARG81400 is demanding, 0 = fault, 1 = no fault

VCC_OK [D5]: Internal VCC rail is OK, 0 = fault, 1 = no fault

VDD_OK [D4]: Internal VDD rail is OK, 0 = fault, 1 = no fault

V5P_OK [D3]: Protected 5V rail is OK, 0 = fault, 1 = no fault

V5B_OK [D2]: 5V rail B is OK, 0 = fault, 1 = no fault

V5A_OK [D1]: 5V rail A is OK, 0 = fault, 1 = no fault

V5CAN_OK [D0]: CAN bus 5V rail is OK, 0 = fault, 1 = no fault

0X01. STATUS REGISTER 1:

D7	D6	D5	D4	D3	D2	D1	D0
	NPOR_OK	WD_F	TSD_OK	VCP_OK	VREG_OK	3V3_OK	BUCK_OK
0	0	0	0	0	0	0	0

Address 00001

Read-only register

Data

NPOR_OK [D6]: NPOR signal matches what ARG81400 is demanding, 0 = fault, 1 = no fault

WD_F [D5]: Watchdog is active, 0 = watchdog off or no fault, 1 = watchdog fault

TSD_OK [D4]: Thermal shutdown status, 0 = overtemperature event, 1 = temperature OK

VCP_OK [D3]: Charge pump rail is OK, 0 = fault, 1 = no fault

VREG_OK [D2]: Pre-regulator voltage is OK, 0 = fault, 1 = no fault

3V3_OK [D1]: 3.3 V rail is OK, 0 = fault, 1 = no fault

BUCK_OK [D0]: Synchronous buck adjustable rail is OK, 0 = fault, 1 = no fault

0X02. STATUS REGISTER 2:

D7	D6	D5	D4	D3	D2	D1	D0
CLK_Hi	CLK_Lo	NPOR_S	POE_S	ENBATS	WD_state_2	WD_state_1	WD_state_0
0	0	0	0	0	0	0	0

Address 00010

Read-only register

Data

CLK_Hi [D7]: Indicates if watchdog clock input is stuck high, 0 = CLK is not stuck high, 1 = clock is stuck high

CLK_Lo [D6]: Indicates if watchdog clock input is stuck low, 0 = CLK is not stuck low, 1 = clock is stuck low

NPOR_S [D5]: Power-on reset internal logic status, 0 = NPOR is low, 1 = NPOR is high

POE_S [D4]: Power-on enable internal logic status, 0 = POE is low, 1 = POE is high

ENBATS [D3]: Battery-enable status, reports the status of the high-voltage enable pin ENBAT on the ARG81400, 0 = ENBAT is low, 1 = ENBAT is high

WD_state_x [D2:D0]: Shows the state that the watchdog is currently in, see table for the different states.

WD_state_2	WD_state_1	WD_state_0	Watchdog State
0	0	0	Idle
0	0	1	Flash
0	1	0	Test Hunt
0	1	1	Test Lock
1	0	0	Test Complete
1	0	1	Running Hunt
1	1	0	Running
1	1	1	Watchdog

0X03. DIAGNOSTIC REGISTER 0:

D7	D6	D5	D4	D3	D2	D1	D0
V5A_OV	V5A_UV	V5CAN_OV	V5CAN_UV	V5P_OV	V5P_UV	V5B_OV	V5B_UV
0	0	0	0	0	0	0	0

Address 00011

Read register, write 1 to clear

Data

V5A_OV [D7]: 5 V rail A overvoltage occurred, 0 = rail OK, 1 = overvoltage occurred

V5A_UV [D6]: 5 V rail A undervoltage occurred, 0 = rail OK, 1 = undervoltage occurred

V5CAN_OV [D5]: 5 V CAN bus rail overvoltage occurred, 0 = rail OK, 1 = overvoltage occurred

V5CAN_UV [D4]: 5 V CAN bus rail undervoltage occurred, 0 = rail OK, 1 = undervoltage occurred

V5P_OV [D3]: Protected 5 V rail overvoltage occurred, 0 = rail OK, 1 = overvoltage occurred

V5P_UV [D2]: Protected 5 V rail undervoltage occurred, 0 = rail OK, 1 = undervoltage occurred

V5B_OV [D1]: 5 V rail B overvoltage occurred, 0 = rail OK, 1 = overvoltage occurred

V5B_UV [D0]: 5 V rail B undervoltage occurred, 0 = rail OK, 1 = undervoltage occurred

0X04. DIAGNOSTIC REGISTER 1:

D7	D6	D5	D4	D3	D2	D1	D0
VDD_OV	VDD_UV	VREG_OV	VREG_UV	3V3_OV	3V3_UV	BUCK_OV	BUCK_UV
0	0	0	0	0	0	0	0

Address 00100

Read register, write 1 to clear

Data

VDD_OV [D7]: Internal VDD rail overvoltage occurred, 0 = rail OK, 1 = overvoltage occurred

VDD_UV [D6]: Internal VDD rail undervoltage occurred, 0 = rail OK, 1 = undervoltage occurred

VREG_OV [D5]: Pre-regulator voltage rail overvoltage occurred, 0 = rail OK, 1 = overvoltage occurred

VREG_UV [D4]: Pre-regulator voltage rail undervoltage occurred, 0 = rail OK, 1 = undervoltage occurred

3V3_OV [D3]: 3.3 V rail overvoltage occurred, 0 = rail OK, 1 = overvoltage occurred

3V3_UV [D2]: 3.3 V rail undervoltage occurred, 0 = rail OK, 1 = undervoltage occurred

BUCK_OV [D1]: Synchronous buck adjustable voltage rail overvoltage occurred, 0 = rail OK, 1 = overvoltage occurred

BUCK_UV [D0]: Synchronous buck adjustable voltage rail undervoltage occurred, 0 = rail OK, 1 = undervoltage occurred

0X05. DIAGNOSTIC REGISTER 2:

D7	D6	D5	D4	D3	D2	D1	D0
	LX2_OK	LX1_OK	D1_OK		VCC_UV	VCP_OV	VCP_UV
0	0	0	0	0	0	0	0

Address 00101

Read register, write 1 to clear

Data

LX2_OK [D6]: Adjustable synchronous buck switch node is OK, 0 = fault on LX2, 1 = LX2 is working correctly

LX1_OK [D5]: Pre-regulator switch node is OK, 0 = fault on LX1, 1 = LX1 is working correctly

D1_OK [D4]: Pre-regulator freewheeling diode is OK, 0 = diode is open circuit, 1 = diode is working correctly

VCC_UV [D2]: Internal VCC rail undervoltage occurred, 0 = rail OK, 1 = undervoltage occurred

VCP_OV [D1]: Charge pump voltage rail overvoltage occurred, 0 = rail OK, 1 = overvoltage occurred

VCP_UV [D0]: Charge pump voltage rail undervoltage occurred, 0 = rail OK, 1 = undervoltage occurred

0X06. OUTPUT DISABLE REGISTER:

D7	D6	D5	D4	D3	D2	D1	D0
V5P_DIS1	V5A_DIS1	V5B_DIS1	V5CAN_DIS1	V5P_DIS0	V5A_DIS0	V5B_DIS0	V5CAN_DIS0
0	0	0	0	0	0	0	0

Address 00110

Read or write register

Data

V5P_DIS [D7:D3]: Disable protected 5 V output, 11 = disabled, x0 = enabled, 0x = enabled

V5A_DIS [D6:D2]: Disable 5 V rail A output, 11 = disabled, x0 = enabled, 0x = enabled

V5B_DIS [D5:D1]: Disable 5 V rail B output, 11 = disabled, x0 = enabled, 0x = enabled

V5CAN_DIS [D4:D0]: Disable 5 V CAN bus rail, 11 = disabled, x0 = enabled, 0x = enabled;

A watchdog reset is required to re-enable V5CAN if it was disabled.

0X07. WATCHDOG MODE KEY REGISTER:

D7	D6	D5	D4	D3	D2	D1	D0
KEY_7	KEY_6	KEY_5	KEY_4	KEY_3	KEY_2	KEY_1	KEY_0
0	0	0	0	0	0	0	0

Address 00111

Write register

Data

KEY [D7:D0]: Three 8-bit words must be sent in the correct order to enable flash mode or restart the watchdog. If an incorrect word is received, then the register resets and the first word has to be resent.

	Flash Mode	Restart
WORD1	0xD3	0xD3
WORD2	0x33	0x33
WORD3	0xCC	0xCD

0X08. CONFIGURATION REGISTER 0:

D7	D6	D5	D4	D3	D2	D1	D0
WD_PER_1	WD_PER_0	WD_MAX_2	WD_MAX_1	WD_MAX_0	WD_MIN_2	WD_MIN_1	WD_MIN_0
0	0	0	1	1	0	1	1

Address 01000

Read or write register

Data

WD_PER [D7:D6]: 2-bit word to select the nominal incoming watchdog period

WD_PER_1	WD_PER_0	WD_IN_PERIOD (μs)	
0	0	250	DEFAULT setting
0	1	500	
1	0	1000	
1	1	2000	

WD_MAX [D5:D3]: 3-bit word to adjust the watchdog maximum timer set point

D_MAX_2	WD_MAX_1	WD_MAX_0	WD_IN_PERIOD_MAX (Typical)				
			250	500	1000	2000	
0	0	0	260.0	520.0	1040	2080	DEFAULT setting
0	0	1	261.5	523.0	1046	2092	
0	1	0	263.0	526.0	1052	2104	
0	1	1	264.5	529.0	1058	2116	
1	0	0	266.0	532.0	1064	2128	
1	0	1	267.5	535.0	1070	2140	
1	1	0	269.0	538.0	1076	2152	
1	1	1	270.5	541.0	1082	2164	

WD_MIN [D2:D0]: 3-bit word to adjust the watchdog minimum timer set point

D_MIN_2	WD_MIN_1	WD_MIN_0	WD_IN_PERIOD_MIN (Typical)				
			250	500	1000	2000	
0	0	0	240.0	480.0	960.0	1920	DEFAULT setting
0	0	1	238.5	477.0	954.0	1908	
0	1	0	237.0	474.0	948.0	1896	
0	1	1	235.5	471.0	942.0	1884	
1	0	0	234.0	468.0	936.0	1872	
1	0	1	232.5	465.0	930.0	1860	
1	1	0	231.0	462.0	924.0	1848	
1	1	1	229.5	459.0	918.0	1836	

0X09. CONFIGURATION REGISTER 1:

D7	D6	D5	D4	D3	D2	D1	D0
			DITH_DIS	VALID_1	VALID_0	EDGE_1	EDGE_0
0	0	0	0	0	0	0	1

Address 01001

Read or write register

Data

DITH_DIS [D4]: This bit allows the user to disable the dither function for the switching converters, 0 = dither enabled, 1 = dither disabled.

VALID [D3:D2]: 2-bit counter to set the number of counts before a valid watchdog signal is set or reset.

VALID_1	VALID_0	Valid Counts	
0	0	2	DEFAULT Setting
0	1	3	
1	0	4	
1	1	5	

EDGE [D1:D0]: 2-bit counter to set the number of edges to count before incrementing the VALID counter. The EDGE value also sets the minimum and maximum nominal timers. The minimum and maximum timers will be based on the number of edge counts plus the delta stored in WD_MIN and WD_MAX.

EDGE_1	EDGE_0	Edge Counts	
0	0	1	DEFAULT Setting
0	1	2	
1	0	3	
1	1	4	

0X0A. VERIFY RESULT REGISTER 0:

D7	D6	D5	D4	D3	D2	D1	D0
V5A_OV_OK	V5A_UV_OK	V5CAN_OV_OK	V5CAN_UV_OK	V5P_OV_OK	V5P_UV_OK	V5B_OV_OK	V5B_UV_OK
0	0	0	0	0	0	0	0

Address 01010

Read register, write 1 to clear

Data

V5A_OV_OK [D7]: 5 V rail A overvoltage self-test passed, 0 = test failed, 1 = test passed

V5A_UV_OK [D6]: 5 V rail A undervoltage self-test passed, 0 = test failed, 1 = test passed

V5CAN_OV_OK [D5]: 5 V CAN bus rail overvoltage self-test passed, 0 = test failed, 1 = test passed

V5CAN_UV_OK [D4]: 5 V CAN bus rail undervoltage self-test passed, 0 = test failed, 1 = test passed

V5P_OV_OK [D3]: Protected 5V rail overvoltage self-test passed, 0 = test failed, 1 = test passed

V5P_UV_OK [D2]: Protected 5V rail undervoltage self-test passed, 0 = test failed, 1 = test passed

V5B_OV_OK [D1]: 5V rail B overvoltage self-test passed, 0 = test failed, 1 = test passed

V5B_UV_OK [D0]: 5V rail B undervoltage self-test passed, 0 = test failed, 1 = test passed

0X0B. VERIFY RESULT REGISTER 1:

D7	D6	D5	D4	D3	D2	D1	D0
BIST_PASS	TSD_OK	VREG_OV_OK	VREG_UV_OK	3V3_OV_OK	3V3_UV_OK	BUCK_OV_OK	BUCK_UV_OK
0	0	0	0	0	0	0	0

Address 01011

Read register, write 1 to clear

Data

BIST_PASS [D7]: Self-test status, 0 = self-test failed, 1 = self-test passed

TSD_OK [D6]: Thermal shutdown circuit passed self-test, 0 = test failed, 1 = test passed

VREG_OV_OK [D5]: Pre-regulator voltage rail overvoltage self-test passed, 0 = test failed, 1 = test passed

VREG_UV_OK [D4]: Pre-regulator voltage rail undervoltage self-test passed, 0 = test failed, 1 = test passed

3V3_OV_OK [D3]: 3.3 V rail overvoltage self-test passed, 0 = test failed, 1 = test passed

3V3_UV_OK [D2]: 3.3 V rail undervoltage self-test passed, 0 = test failed, 1 = test passed

BUCK_OV_OK [D1]: Synchronous buck adjustable voltage rail overvoltage self-test passed, 0 = test failed, 1 = test passed

BUCK_UV_OK [D0]: Synchronous buck adjustable voltage rail undervoltage self-test passed, 0 = test failed, 1 = test passed

DESIGN AND COMPONENT SELECTION

The following section briefly describes the component selection procedure for the ARG81400.

Setting up the Pre-Regulator

This section discusses the component selection for the ARG81400 pre-regulator. It covers the charge pump circuit, inductor, diodes, boost MOSFET, and input and output capacitors. It will also cover soft-start and loop compensation.

Charge Pump Capacitors

The charge pump requires two capacitors: a 1 μF connected from pin VCP to VIN and 0.22 μF connected between pins CP1 and CP2. These capacitors should be a high-quality ceramic capacitors, such as an X5R or X7R, with a voltage rating of at least 16 V.

PWM Switching Frequency

The switching frequency of the ARG81400 is fixed at 2.2 MHz nominal. The ARG81400 includes a frequency foldback scheme that starts when V_{IN} is greater than 18 V. Between 18 V and 36 V, the switching frequency will foldback from 2.2 MHz typical to 1 MHz typical. The switching frequency for a given input voltage above 18 V and below 36 V is:

$$f_{sw} = 3.4 - \frac{1.2}{18} \times V_{IN} \text{ (MHz)} \quad (1)$$

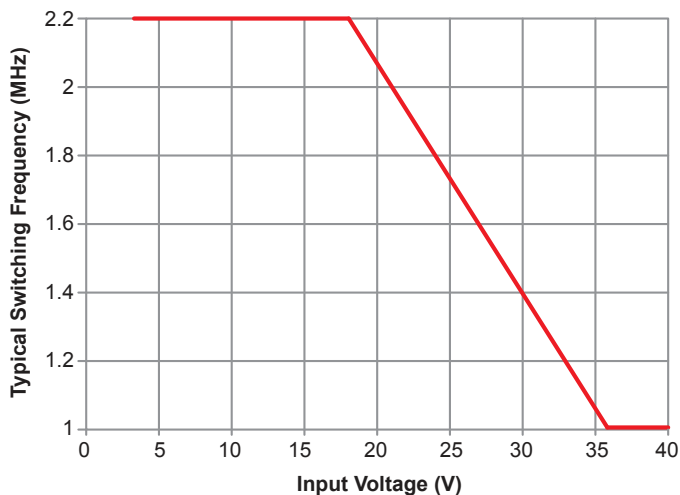


Figure 9: Typical Switching Frequency versus Input Voltage

Pre-Regulator Output Inductor (L1)

For peak current mode control, it is well known that the system will become unstable when the duty cycle is above 50% without adequate Slope Compensation (S_E). However, the slope compensation in the ARG81400 is a fixed value. Therefore, it is important to calculate an inductor value so the falling slope of the inductor current (S_F) will work well with the ARG81400's slope compensation.

Equation (2) can be used to calculate a range of values for the output inductor for the buck-boost. In equation (2), slope compensation can be found in the Electrical Characteristic table, V_F is the asynchronous diodes forward voltage, S_E is in $\text{A}/\mu\text{s}$, and L will be in μH :

$$\frac{(V_{REG} + V_F)}{S_{E1}} \leq LI \leq \frac{2 \times (V_{REG} + V_F)}{S_{E2}} \quad (2)$$

If equation (2) yields an inductor value that is not a standard value, then the next closest available value should be used. The final inductor value should allow for 10%-20% of initial tolerance and 20%-30% for inductor saturation.

Due to topology and frequency switching of the ARG81400 pre-regulator, the inductor ripple current varies with input voltage per Figure 10 below:

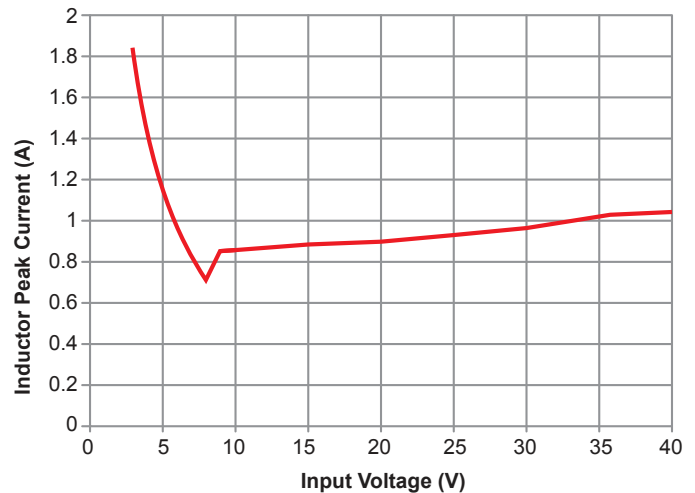


Figure 10: Typical Peak Inductor Current versus Input Voltage for 0.8 A Output Current and 10 μH Inductor

The inductor should not saturate given the peak operating current during overload. Equation (3) calculates this current. In equation (3), $V_{IN,MAX}$ is the maximum continuous input voltage, such as 16 V, and V_F is the asynchronous diode forward voltage.

$$I_{PEAK} = 4.6 A - \frac{S_{EI} \times (V_{REG} + V_F)}{0.9 \times f_{SW} \times (V_{IN,MAX} + V_F)} \quad (3)$$

After an inductor is chosen, it should be tested during output overload and short-circuit conditions. The inductor current should be monitored using a current probe. A good design should ensure the inductor or the regulator are not damaged when the output is shorted to ground at maximum input voltage and the highest expected ambient temperature.

Inductor ripple current can be calculated using equation (4) for buck mode, and equation (5) for buck-boost mode.

$$\Delta I_{LI} = \frac{(V_{IN} - V_{REG}) \times V_{REG}}{f_{SW} \times LI \times V_{IN}} \quad (4)$$

$$\Delta I_{B/B} = \frac{V_{IN} \times D_{BOOST}}{f_{SW} \times LI} \quad (5)$$

Pre-Regulator Output Capacitors

The output capacitors filter the output voltage to provide an acceptable level of ripple voltage. They also store energy to help maintain voltage regulation during a load transient. The voltage rating of the output capacitors must support the output voltage with sufficient design margin.

The output voltage ripple (ΔV_{OUT}) is a function of the output capacitors parameters: C_O , ESR_{CO} , ESL_{CO} .

$$\Delta V_{OUT} = \Delta I_L \times ESR_{CO} + \frac{V_{IN} \times V_{OUT}}{LI} \times ESL_{CO} + \frac{\Delta I_{LI}}{8 \times f_{SW} \times C_O} \quad (6)$$

The type of output capacitors will determine which terms of equation (6) are dominant. For ceramic output capacitors, the ESR_{CO} and ESL_{CO} are virtually zero, so the output voltage ripple will be dominated by the third term of equation (6).

$$\Delta V_{REG} = \frac{\Delta I_{LI}}{8 \times f_{SW} \times C_O} \quad (7)$$

To reduce the voltage ripple of a design using ceramic output capacitors, simply increase the total capacitance, reduce the inductor current ripple (i.e. increase the inductor value), or increase the switching frequency.

The transient response of the regulator depends on the number and type of output capacitors. In general, minimizing the ESR of the output capacitance will result in a better transient response. The ESR can be minimized by simply adding more capacitors in parallel or by using higher quality capacitors. At the instant of a fast load transient (di/dt), the output voltage will change by the amount:

$$\Delta V_{REG} = \Delta I_{LOAD} \times ESR_{CO} + \frac{di}{dt} \times ESL_{CO} \quad (8)$$

After the load transient occurs, the output voltage will deviate from its nominal value for a short time. This time will depend on the system bandwidth, the output inductor value, and output capacitance. Eventually, the error amplifier will bring the output voltage back to its nominal value.

The speed at which the error amplifier will bring the output voltage back to its setpoint will depend mainly on the closed-loop bandwidth of the system. A higher bandwidth usually results in a shorter time to return to the nominal voltage. However, a higher bandwidth system may be more difficult to obtain acceptable gain and phase margins. Selection of the compensation components (R_Z , C_Z , C_P) are discussed in more detail in the Compensation Components section of this datasheet.

Ceramic Input Capacitors

The ceramic input capacitor(s) must limit the voltage ripple at the VIN pin to a relatively low voltage during maximum load. Equation 8 can be used to calculate the minimum input capacitance,

$$C_{IN} \geq \frac{I_{VREG,MAX} \times 0.25}{0.90 \times f_{SW} \times 50 mV} \quad (9)$$

where $I_{VREG,MAX}$ is the maximum current from the pre-regulator,

$$I_{VREG,MAX} = I_{LINEAR} + I_{AUX} + \frac{6.7 \times I_{SYNC_BUCK}}{V_{SYNC_BUCK}} + 20 mA \quad (10)$$

where I_{LINEAR} is the sum of all the internal linear regulators output currents, I_{AUX} is any extra current drawn from the VREG output to power other devices external to the ARG81400, I_{SYNC_BUCK} and V_{SYNC_BUCK} are the output current and voltage of the synchronous buck converter.

A good design should consider the dc-bias effect on a ceramic capacitor—as the applied voltage approaches the rated value, the capacitance value decreases. The X5R and X7R type capacitors should be the primary choices due to their stability versus both DC bias and temperature. For all ceramic capacitors, the DC bias effect is even more pronounced on smaller case sizes so a good design will use the largest affordable case size.

Also for improved noise performance, it is recommended to add smaller sized capacitors close to the input pin and the D1 anode. Use a 0.1 μF 0603 capacitor.

Buck-Boost Asynchronous Diode (D1)

The highest peak current in the asynchronous diode (D1) occurs during overload and is limited by the ARG81400. Equation 3 can be used to calculate this current.

The highest average current in the asynchronous diode occurs when V_{IN} is at its maximum, $D_{\text{BOOST}} = 0\%$, and $D_{\text{BUCK}} = \text{minimum}$ (10%),

$$I_{\text{AVG}} = 0.9 \times I_{\text{VREG,MAX}} \quad (11)$$

where $I_{\text{VREG,MAX}}$ is calculated using equation (10).

Boost MOSFET (Q1)

The RMS current in the boost MOSFET (Q1) occurs when V_{IN} is at its minimum and both the buck and boost operate at their maximum duty cycles (approximately 64% and 58%, respectively),

$$I_{\text{Q1,RMS}} = \sqrt{D_{\text{BOOST}} \times \left[\left(I_{\text{PEAK1}} - \frac{\Delta I_{\text{B/B}}}{2} \right)^2 + \frac{\Delta I_{\text{B/B}}}{12} \right]} \quad (12)$$

where $\Delta I_{\text{B/B}}$ and I_{PEAK1} are derived using equations (3) and (5), respectively.

Boost Diode (D2)

In buck mode, this diode will simply conduct the output current. However, in buck-boost mode, the peak currents in this diode may increase a lot. The ARG81400 limits the peak current to the value calculated using equation (3). The average current is simply the output current.

Pre-Regulator Soft-Start and Hiccup Mode Timing (C_{SS1})

The soft-start time of the buck-boost converter is determined by the value of the capacitance at the soft-start pin, C_{SS1} .

If the ARG81400 is starting into a very heavy load, a very fast

soft-start time may cause the regulator to exceed the pulse-by-pulse overcurrent threshold. This occurs because the total of the full load current, the inductor ripple current, and the additional current required to charge the output capacitors ($I_{\text{CO}} = C_{\text{O}} \times V_{\text{OUT}} / t_{\text{SS}}$) is higher than the pulse-by-pulse current threshold, as shown in Figure 11.

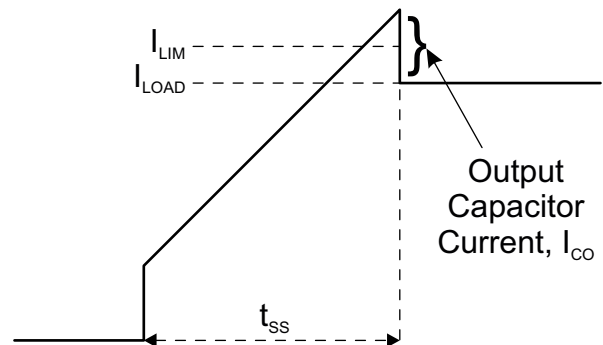


Figure 11: Output Current (I_{CO}) during Startup

To avoid prematurely triggering hiccup mode the soft start time, t_{SS1} , should be calculated according to equation 13,

$$t_{\text{SS1}} = V_{\text{REG}} \times \frac{C_{\text{O}}}{I_{\text{CO}}} \quad (13)$$

where V_{OUT} is the output voltage, C_{O} is the output capacitance, I_{CO} is the amount of current allowed to charge the output capacitance during soft-start (recommend $0.1 \text{ A} < I_{\text{CO}} < 0.3 \text{ A}$). Higher values of I_{CO} ensure that hiccup mode is not falsely triggered. Allegro recommends starting the design with an I_{CO} of 0.1 A and increasing it only if the soft-start time is too slow.

Then C_{SS1} can be selected based on equation (14),

$$C_{\text{SS1}} > \frac{\text{ISS1}_{\text{SU}} \times t_{\text{SS1}}}{0.8} \quad (14)$$

If a non-standard capacitor value for C_{SS1} is calculated, the next larger value should be used.

The voltage at the soft-start pin will start from 0 V and will be charged by the soft-start current, ISS1_{SU} . However, PWM switching will not begin instantly because the voltage at the soft-start pin must rise above the soft-start offset voltage ($V_{\text{SS1_OFFS}}$). The soft-start delay ($t_{\text{SS1_DELAY}}$) can be calculated using equation (15),

$$t_{\text{SS1_DELAY}} = C_{\text{SS1}} \times \frac{V_{\text{SS1_OFFS}}}{\text{ISS1}_{\text{SU}}} \quad (15)$$

When the ARG81400 is in hiccup mode, the soft-start capacitor sets the hiccup period. During a startup attempt, the soft-start pin charges the soft-start capacitor with $ISS1_{SU}$ and discharges the same capacitor with $ISS1_{HIC}$ between startup attempts.

Pre-Regulator Compensation Components (R_Z , C_Z , C_P)

Although the ARG81400 can operate in buck-boost mode at low input voltages, it still can be considered a buck converter when looking at the control loop. The following equations can be used to calculate the compensation components.

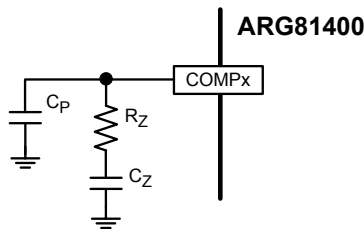


Figure 12: ARG81400 Compensation Components

First, we need to select the target crossover frequency for our final system. While we are switching at over 2 MHz, the crossover is governed by the required phase margin. Since we are using a type II compensation scheme, we are limited to the amount of phase we can add. Hence, we select a crossover frequency, f_c , in the region of 55 kHz. The total system phase will drop off at higher crossover frequencies. The R_Z selection is based on the gain required at the crossover frequency and can be calculated by the following simplified equation:

$$R_Z = \frac{13.36 \times \pi \times f_c \times C_O}{g_{m_{POWER1}} \times g_{m_{EAI}}} \quad (16)$$

The series capacitor, C_Z , along with the resistor, R_Z , set the location of the compensation zero. This zero should be placed no lower than $\frac{1}{4}$ the crossover frequency and should be kept to a minimum value. Equation (17) can be used to estimate this capacitor value.

$$C_Z > \frac{4}{2\pi \times R_Z \times f_c} \quad (17)$$

Determine if the second compensation capacitor (C_P) is required. It is required if the ESR zero of the output capacitor is located at less than half of the switching frequency or the following relationship is valid:

$$\frac{I}{2\pi \times C_O \times ESR_{CO}} < \frac{f_{SW}}{2} \quad (18)$$

If this is the case, then add the second compensation capacitor (C_P) to set the pole at the location of the ESR zero. Determine the C_P value by the equation:

$$C_P = \frac{C_{OUT} \times ESR}{R_Z} \quad (19)$$

Finally, we take a look at the combined bode plot of both the control-to-output and the compensated error amp—see the red curves shown in Figure 13. Careful examination of this plot shows that the magnitude and phase of the entire system are simply the sum of the error amp response (blue) and the control to output response (green). As shown in Figure 13, the bandwidth of this system (f_c) is 50 kHz, the phase margin is 71.5 degrees, and the gain margin is 30 dB.

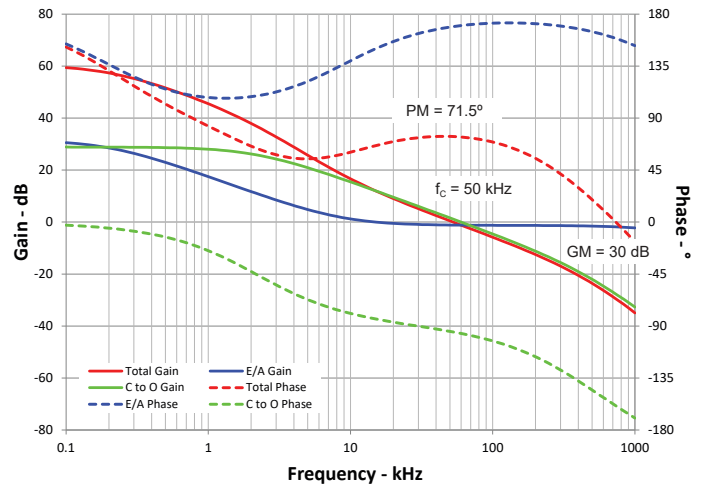


Figure 13: Bode Plot of the Complete System (red curve)
 $R_Z = 8.25 \text{ k}\Omega$, $C_Z = 2.2 \text{ nF}$, $C_P = 10 \text{ pF}$
 $L_O = 10 \text{ }\mu\text{H}$, $C_O = 2 \times 10 \text{ }\mu\text{F Ceramic}$

Synchronous Buck Component Selection

Similar design methods can be used for the synchronous buck, however, the complexity of variable input voltage and boost operation are removed.

Setting the Output Voltage, RFB1 and RFB2

If the output of the synchronous buck is connected directly to the FB pin, then the output will be regulated to V_{FB} or 1.25 V nominal. The OV pin should also be connected to the output to provide open feedback protection.

The ARG81400 also allows the user to program the output voltage. This is achieved by adding a resistor divider from its output to ground and connecting the center point to FB, see Figure 14 below.

A second divider, ROV1 and ROV2, using the same values as RFB1 and RFB2 respectively, should be connected to the OV pin of the ARG81400 as shown in Figure 14.

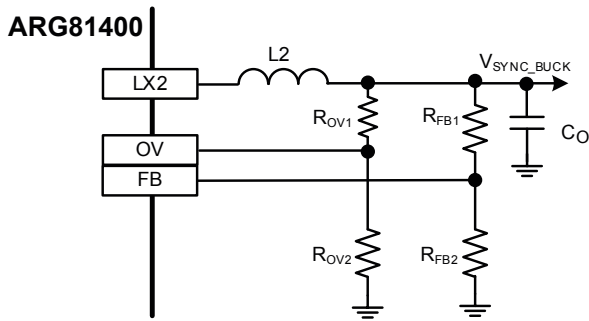


Figure 14: Programing the ARG81400 Synchronous Buck Output

The resistors can be selected based on the following equation, set $R_{FB2} = R_{OV2} = 10 \text{ k}\Omega$. V_{SYNC_BUCK} is the required output voltage.

$$R_{FB1} = R_{OV1} = \frac{V_{SYNC_BUCK}}{V_{FB}} \times R_{FB2} - R_{FB2} \quad (20)$$

Synchronous Buck Output Inductor (L2)

Equation 21 can be used to calculate a range of values for the output inductor for the synchronous buck regulator. In equation 21, slope compensation S_{E2} be found in the electrical characteristic table.

$$\frac{V_{SYNC_BUCK}}{S_{E2}} \leq L2 \leq \frac{2 \times V_{SYNC_BUCK}}{S_{E2}} \quad (21)$$

If equation (21) yields an inductor value that is not a standard value, then the next closest available value should be used. The final inductor value should allow for 10%-20% of initial tolerance and 20%-30% for inductor saturation.

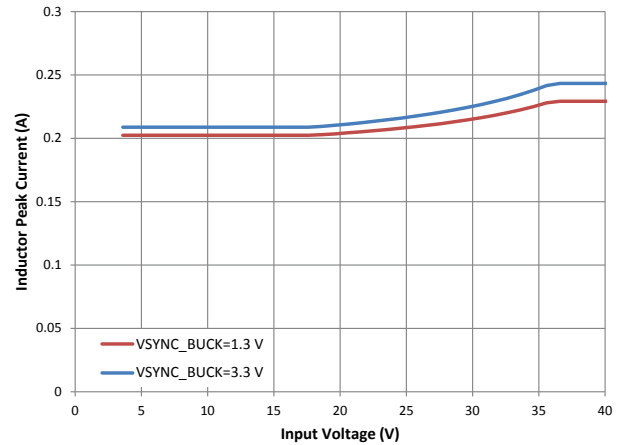


Figure 15: Typical Peak Inductor Current versus Input Voltage for 0.18 A Output Current and 10 μ H Inductor

The inductor should not saturate given the peak current at overload according to equation 22. The synchronous buck uses the same switching frequency, f_{SW} , as the pre-regulator.

$$I_{PEAK2} = 2.4 A - \frac{S_{E2} \times V_{SYNC_BUCK}}{0.9 \times f_{SW} \times V_{REG}} \quad (22)$$

After an inductor is chosen, it should be tested during output short-circuit conditions. The inductor current should be monitored using a current probe. A good design should ensure the inductor or the regulator are not damaged when the output is shorted to ground at maximum input voltage and the highest expected ambient temperature.

Once inductor value is known the ripple current can be calculated:

$$\Delta I_{L2} = \frac{(V_{REG} - V_{SYNC_BUCK}) \times V_{SYNC_BUCK}}{f_{SW} \times L2 \times V_{REG}} \quad (23)$$

Synchronous Buck Output Capacitors

Similar criteria as the pre-regulator can be used in selecting the output capacitors. Ceramic output capacitors should be used so for a given output voltage ripple the minimum output capacitor value can be calculated using equation (24).

$$C_O \geq \frac{\Delta I_{L2}}{8 \times f_{SW} \times \Delta V_{SYNC_BUCK}} \quad (24)$$

Synchronous Buck Compensation Components

Again, similar techniques as used with the pre-regulator can be used to compensate the synchronous buck.

For the synchronous buck, we select a crossover frequency, f_c , in the region of 50 kHz. The R_Z selection is based on the gain required at the crossover frequency, and can be calculated by the following simplified equation:

$$R_Z = \frac{V_{\text{SYNC_BUCK}} \times 2\pi \times f_c \times C_O}{V_{\text{FB}} \times gm_{\text{POWER2}} \times gm_{\text{EA2}}} \quad (25)$$

The series capacitor, C_Z , along with the resistor, R_Z , set the location of the compensation zero. This zero should be placed no lower than $\frac{1}{4}$ the crossover frequency and should be kept to a minimum value. Equation (26) can be used to estimate this capacitor value

$$C_Z > \frac{4}{2\pi \times R_Z \times f_c} \quad (26)$$

Determine if the second compensation capacitor (C_p) is required. It is required if the ESR zero of the output capacitor is located at less than half of the switching frequency or the following relationship is valid:

$$\frac{1}{2\pi \times C_O \times ESR_{CO}} < \frac{f_{sw}}{2} \quad (27)$$

If this is the case, then add the second compensation capacitor (C_p) to set the pole at the location of the ESR zero. Determine the C_p value by the equation:

$$C_p = \frac{C_{OUT} \times ESR}{R_Z} \quad (28)$$

Finally, we take a look at the combined bode plot of both the control-to-output and the compensated error amp—see the red curves shown in Figure 16. The bandwidth of this system (f_c) is 51 kHz, the phase margin is 75° , and the gain margin is > 30 dB.

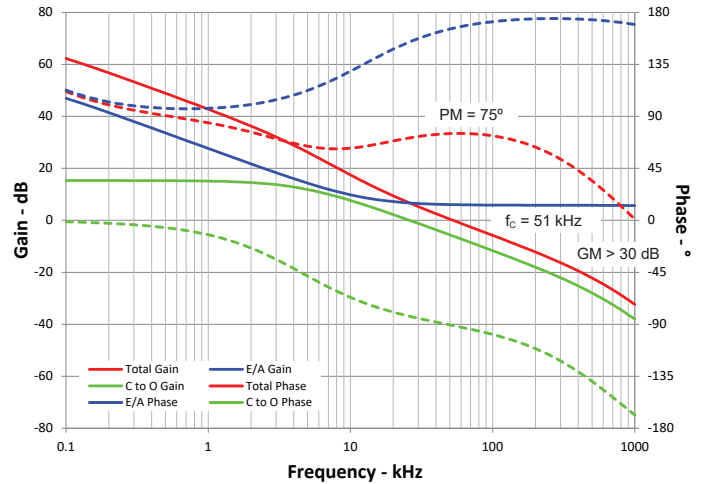


Figure 16: Bode Plot of the Complete System (red curve)
 $R_Z = 2.74 \text{ k}\Omega$, $C_Z = 4.7 \text{ nF}$, $C_p = 10 \text{ pF}$
 $L_O = 10 \text{ }\mu\text{H}$, $C_O = 10 \text{ }\mu\text{F Ceramic}$

Synchronous Buck Soft-Start and Hiccup Mode Timing

The soft-start time of the synchronous buck is determined by the value of the capacitance at the soft-start pin, C_{SS2} .

If the ARG81400 is starting into a very heavy load, a very fast soft-start time may cause the regulator to exceed the pulse-by-pulse overcurrent threshold. To avoid prematurely triggering hiccup mode, the soft-start time, t_{SS2} , should be calculated according to equation (29),

$$t_{SS2} = V_{\text{SYNC_BUCK}} \times \frac{C_O}{I_{CO}} \quad (29)$$

Where $V_{\text{SYNC_BUCK}}$ is the output voltage, C_O is the output capacitance, I_{CO} is the amount of current allowed to charge the output capacitance during soft-start (recommend $20 \text{ mA} < I_{CO} < 30 \text{ mA}$). Higher values of I_{CO} result in faster soft-start time and lower values of I_{CO} ensure that hiccup mode is not falsely triggered. We recommend starting the design with an I_{CO} of 20 mA and increasing it only if the soft-start time is too slow.

Then C_{SS2} can be selected based on equation (30),

$$C_{SS2} > \frac{ISS2_{SU} \times t_{SS1}}{0.8} \quad (30)$$

If a non-standard capacitor value for C_{SS2} is calculated, the next larger value should be used.

The voltage at the soft-start pin will start from 0 V and will be

charged by the soft-start current, $ISS2_{SU}$. However, PWM switching will not begin instantly because the voltage at the soft-start pin must rise above the soft-start offset voltage ($VSS2_{OFFS}$). The soft start delay ($t_{SS2,DELAY}$) can be calculated using equation (31),

$$t_{SS2,DELAY} = C_{SS2} \times \frac{VSS2_{OFFS}}{ISS2_{SU}} \quad (31)$$

When the ARG81400 is in hiccup mode, the soft-start capacitor sets the hiccup period. During a startup attempt, the soft-start pin charges the soft-start capacitor with $ISS2_{SU}$ and discharges the same capacitor with $ISS2_{HIC}$ between startup attempts.

Linear Regulators

The five linear regulators only require an ceramic capacitor to ensure stable operation. The capacitor can be any value between 1 and 15 μ F. A 2.2 μ F capacitor per regulator is recommended.

Also, since the V5P is used to power remote circuitry, its load can include long cables. The inductance of these cables may cause negative spikes on the V5P pin if a short occurs. It is recommended to use a small diode to clamp this negative spike. A MSS1P5 is recommended.

Internal Bias (VCC)

The internal bias voltage should be decoupled at the VCC pin using a 1 μ F ceramic capacitor. It is not recommended to use this pin as a source.

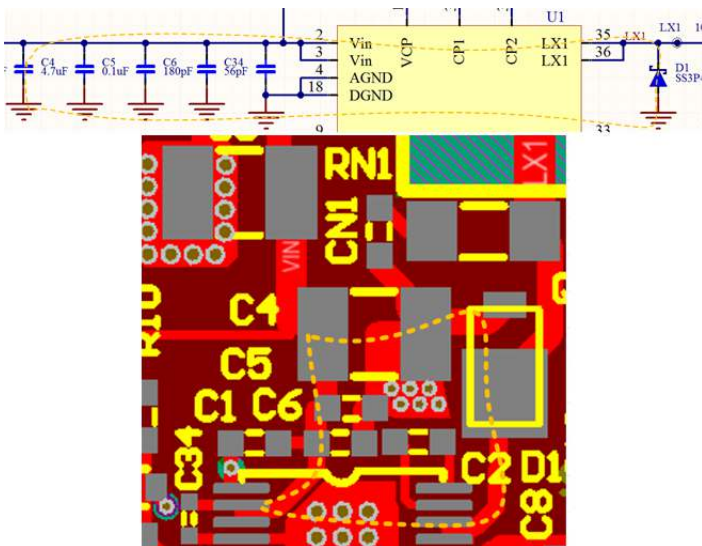
Signal Pins (NPOR, ENBATS, FF_n, POE, DIAG)

The ARG81400 has many signal level pins. The NPOR, FF_n, and ENBATS are open-drain outputs and require external pull-up resistors. The DIAG and POE signals are push-pull outputs and do not require external pull-up resistors.

PCB LAYOUT RECOMMENDATIONS

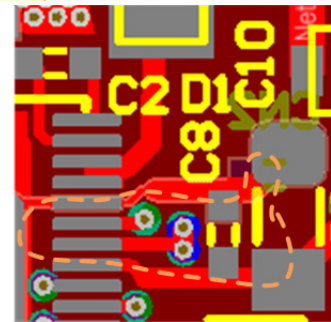
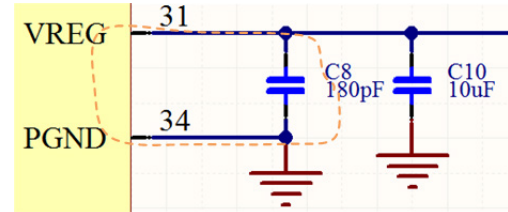
The input ceramic capacitors must be located as close as possible to the VIN pins. In general, the smaller capacitors (0402, 0603) must be placed very close to the VIN pin. The larger capacitors should be placed within 0.5 inches of the VIN pin. There must not be any vias between the input capacitors and the VIN pins.

The pre-regulator input ceramic capacitors, ARG81400 VIN and LX1, and asynchronous diode (D1), must be routed on one layer. This loop should be as small as possible, see below. The snubber (RN1 and CN1) should be placed close to D1. A single star point ground connected to the ground plane using multiple vias is recommended.



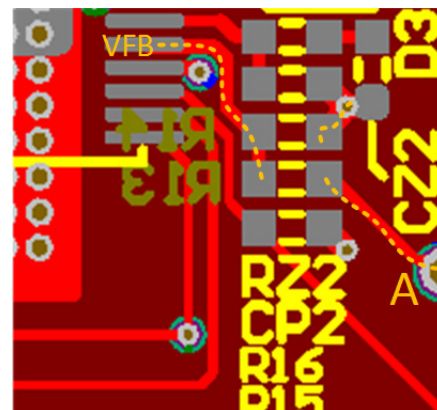
The pre-regulator output inductor (L1) should be located close to the LX1 pins. The LX1 trace widths (to L1, D1) should be relatively wide and preferably on the same layer as the IC.

The pre-regulators output ceramic capacitors should be located near the VREG pin. There must be 1 or 2 smaller ceramic capacitors as close as possible to the VREG pin.



The synchronous buck output inductor should be located near the LX2 pins. The trace from the LX2 pins to the output inductor (L2) should be relatively wide and preferably on the same layer as the IC.

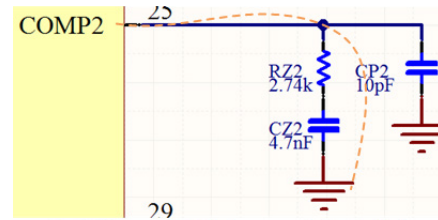
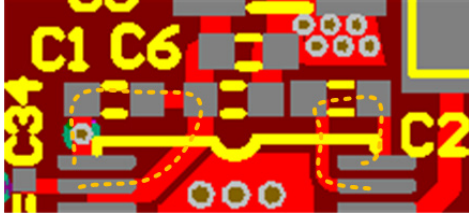
The two synchronous buck feedback resistors (RFB1, RFB2) must be located near the FB pin. The output capacitors should be located near the load. The output voltage sense trace (to RFB1) must connect at the load for the best regulation, trace A in figure below goes to load.



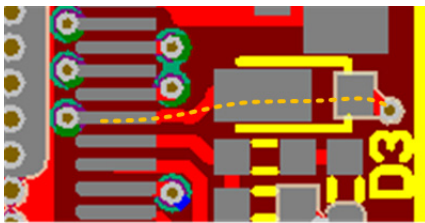
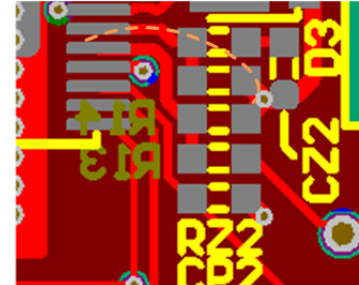
ARG81400

Multi-Output Regulator with Buck or Buck/Boost Pre-Regulator, Synchronous Buck, 5x LDO Outputs, Watchdog, and SPI

The two charge pump capacitors must be placed as close as possible to VCP and CP1/CP2.



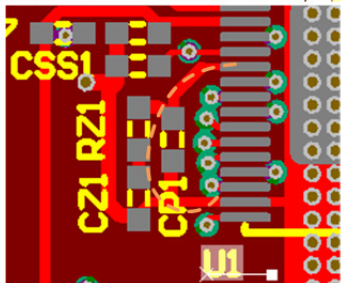
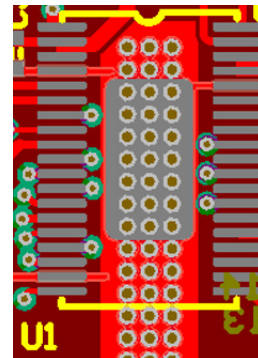
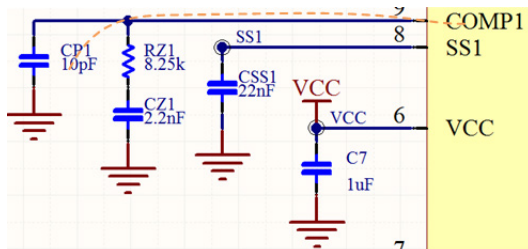
The ceramic capacitors for the LDOs (3V3, V5A, V5B, V5P, and V5CAN) must be placed near their output pins. The V5P output must have a 1 A / 40 V Schottky diode (D3) located very close to its pin to limit negative voltages.



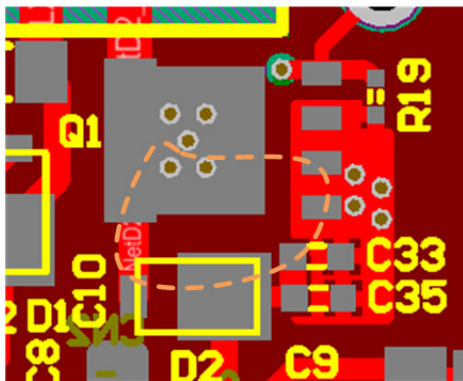
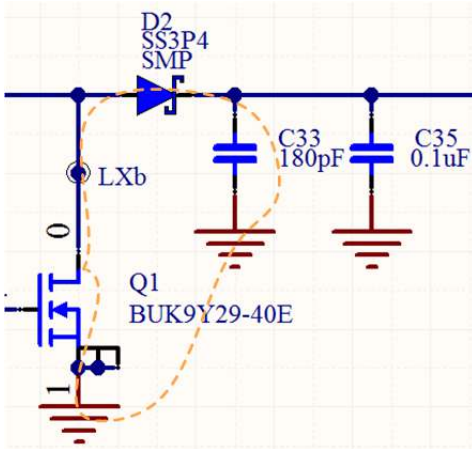
The thermal pad under the ARG81400 must connect to the ground plane(s) with multiple vias.

The VCC bypass capacitor must be placed very close to the VCC pin.

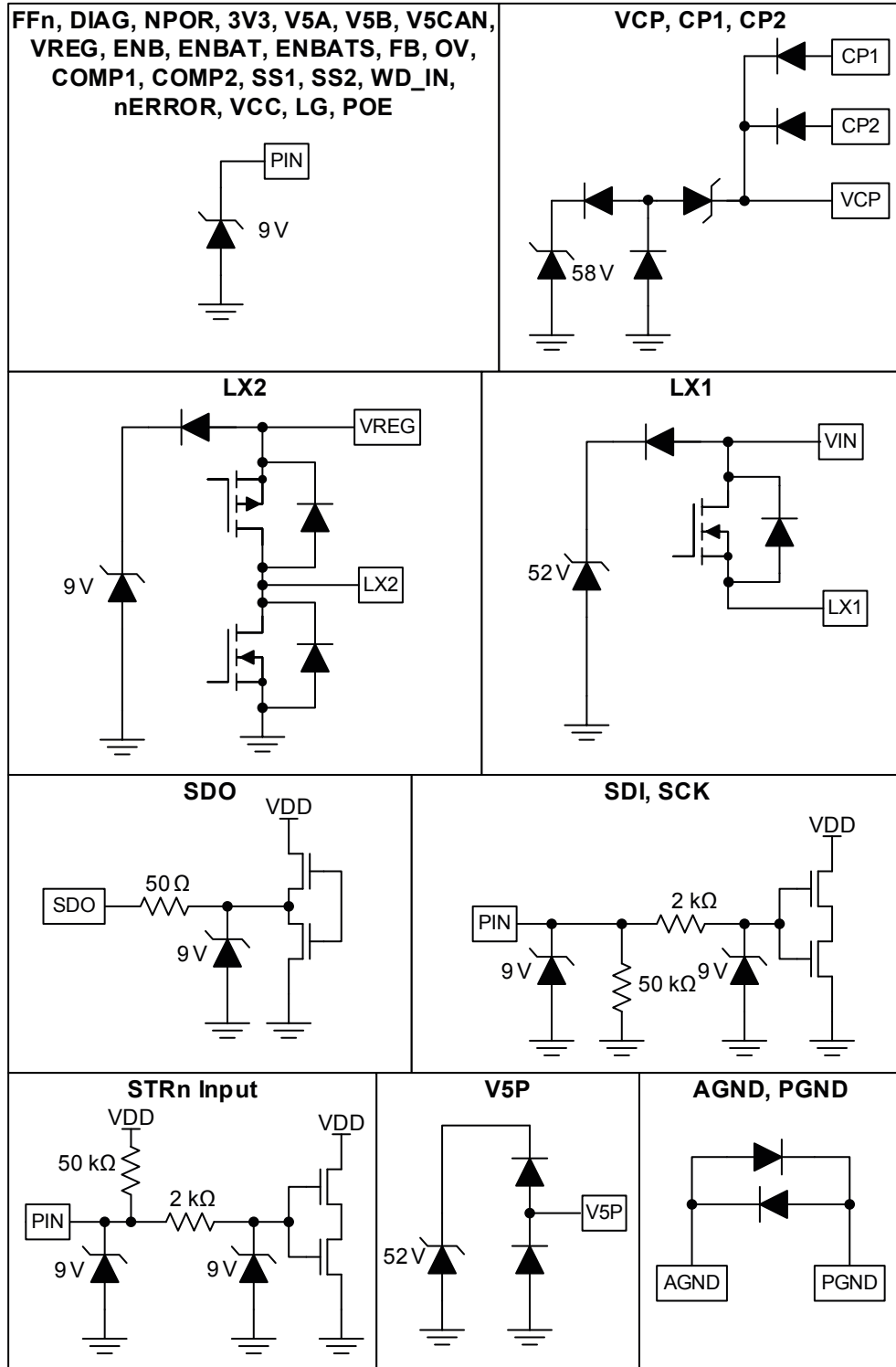
The COMP network for both buck regulators (CZx, RZx, CPx) must be located very close to the COMPx pin.



The boost MOSFET (Q1) and the boost diode (D2) must be placed very close to each other. Q1 should have thermal vias to a polygon on the bottom layer. Also, there should be “local” bypass capacitors from D2 anode to Q1 source.



INPUT/OUTPUT STRUCTURES (to be confirmed)



PACKAGE OUTLINE DRAWING

For Reference Only – Not for Tooling Use

(Reference Allegro DWG-0000379, Rev. 3 and JEDEC MO-153 BDT-1)

Dimensions in millimeters

NOT TO SCALE

Dimensions exclusive of mold flash, gate burrs, and dambar protrusions
Exact case and lead configuration at supplier discretion within limits shown

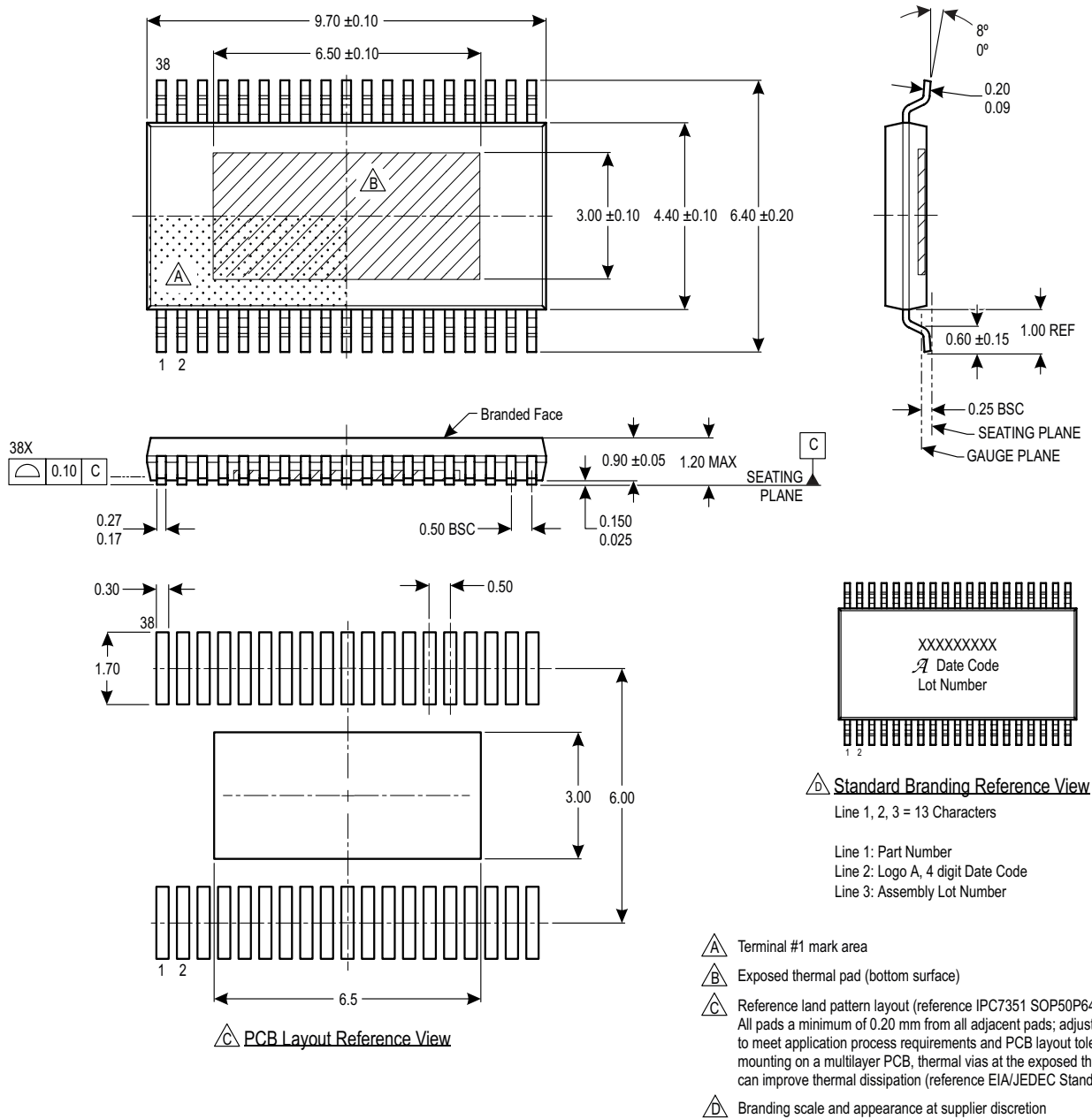


Figure 30: Package LV, 38-Pin eTSSOP

Revision History

Number	Date	Description
–	March 23, 2017	Initial Release
1	June 22, 2017	Corrected Description (page 1), revised A ² -SIL™ status to pending (page 1), and updated Synchronous Buck UV Thresholds (page 15).
2	January 3, 2018	Updated Selection Guide table (page 2).
3	March 20, 2018	Revised A ² -SIL™ status to compliant (page 1).
4	February 11, 2019	Minor editorial updates
5	April 24, 2019	Updated Functional Block Diagrams (page 6), Figure 13 (page 52), and Figure 16 (page 54).
6	June 10, 2020	Updated Product Title, Features and Benefits, Description, and Applications (page 1) and Overview section (page 26)
7	June 6, 2022	Updated package drawing (page 60)

Copyright 2022, Allegro MicroSystems.

Allegro MicroSystems reserves the right to make, from time to time, such departures from the detail specifications as may be required to permit improvements in the performance, reliability, or manufacturability of its products. Before placing an order, the user is cautioned to verify that the information being relied upon is current.

Allegro's products are not to be used in any devices or systems, including but not limited to life support devices or systems, in which a failure of Allegro's product can reasonably be expected to cause bodily harm.

The information included herein is believed to be accurate and reliable. However, Allegro MicroSystems assumes no responsibility for its use; nor for any infringement of patents or other rights of third parties which may result from its use.

Copies of this document are considered uncontrolled documents.

For the latest version of this document, visit our website:

www.allegromicro.com