

4

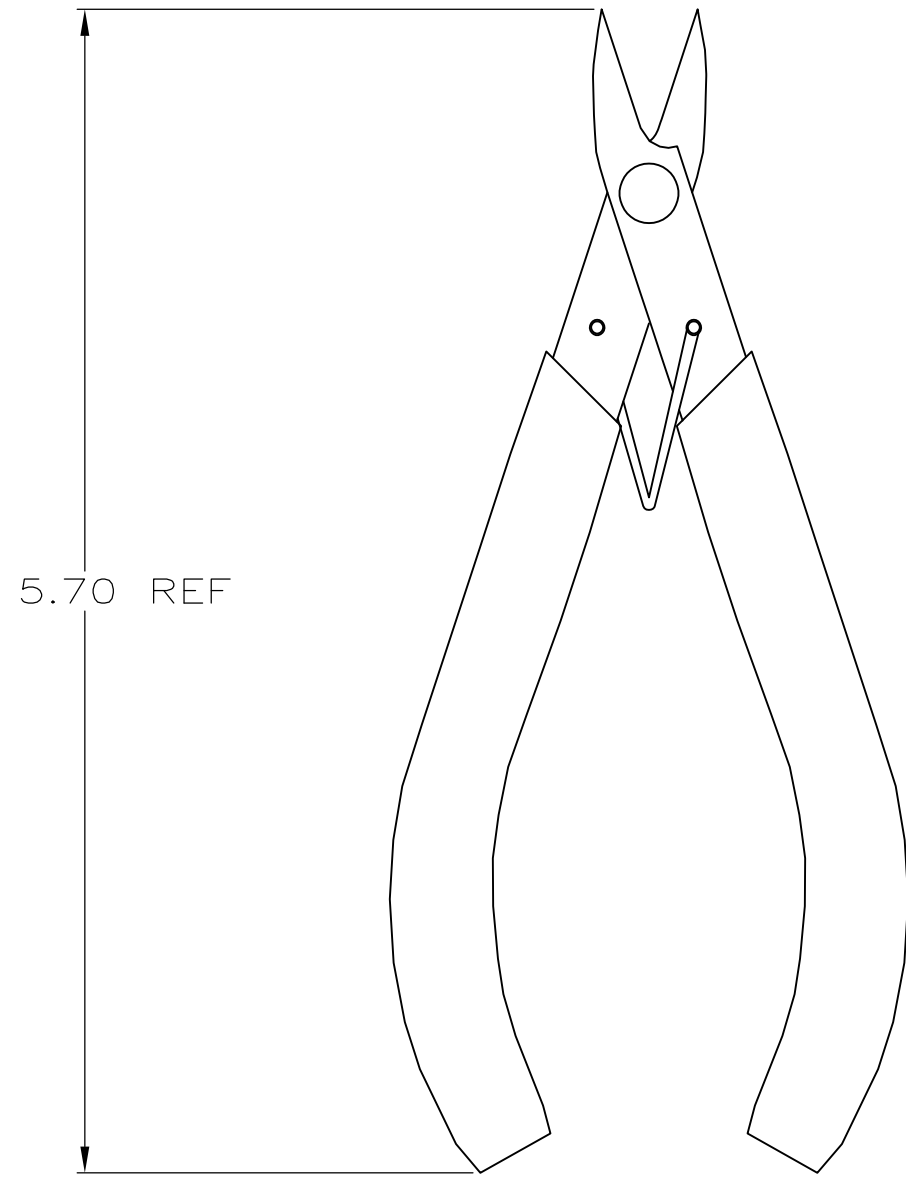
3

2

1


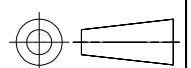
THIS DRAWING IS UNPUBLISHED. RELEASED FOR PUBLICATION
 © COPYRIGHT - By - ALL RIGHTS RESERVED.

LOC	DIST	REVISIONS					
		P	LTR	DESCRIPTION	DATE	DWN	APVD
CE	16		A	ECO-13-012636	08AUG2013	JM	TE



1. TOOL NOT INTENDED TO CUT COAXIAL, TWISTED PAIR OR OTHER COMMUNICATION OR ELECTRICAL CABLES.

1278637-1
 PART NUMBER

THIS DRAWING IS A CONTROLLED DOCUMENT.		DWN J.P.MARSHALL 21APR99	 TE Connectivity				
DIMENSIONS: mm 		CHK D.D.ERDMAN 21APR99				NAME ARAMID YARN SHEARS	
TOLERANCES UNLESS OTHERWISE SPECIFIED: 0 PLC ± - 1 PLC ± - 2 PLC ± - 3 PLC ± - 4 PLC ± - ANGLES ± -		APVD S.BUCHTER 21APR99	PRODUCT SPEC -				
MATERIAL -		FINISH -	APPLICATION SPEC -	SIZE A3	CAGE CODE 00779	DRAWING NO C-1278637	RESTRICTED TO -
CUSTOMER DRAWING			WEIGHT -	SCALE 1:1	SHEET 1 OF 1	REV A	