



MATERIAL AND FINISH:
 Insulator: Polycarbonate, UL-94V-0 rated
 Contacts: Brass, Nickel plated

ELECTRICAL SPECIFICATIONS:

Current rating: 10 A 
 Voltage rating: 250 VAC
 Current rating: 15 A 
 Voltage rating: 250 VAC

ORDERING CODE:
 42R02-4 E
 1 2 3





1 = TERMINAL OPTIONS

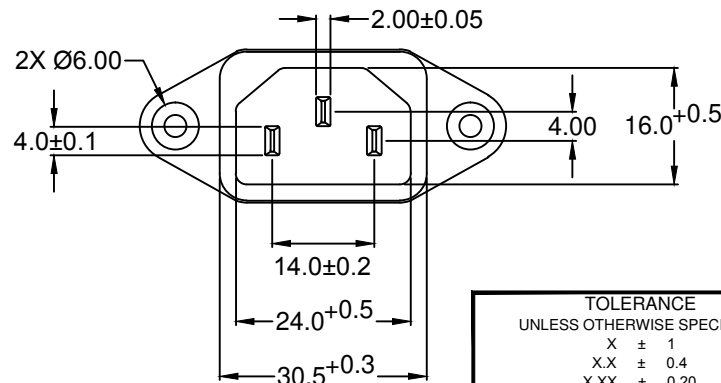
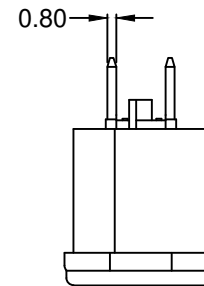
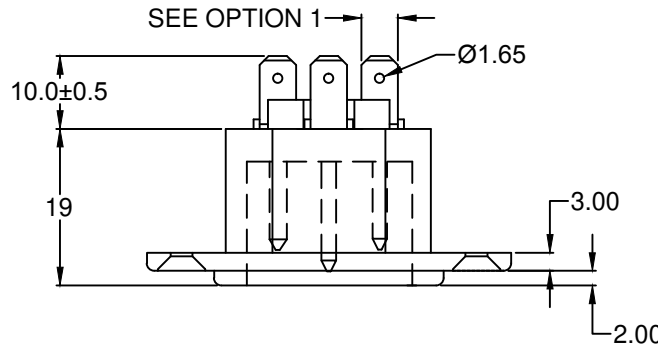
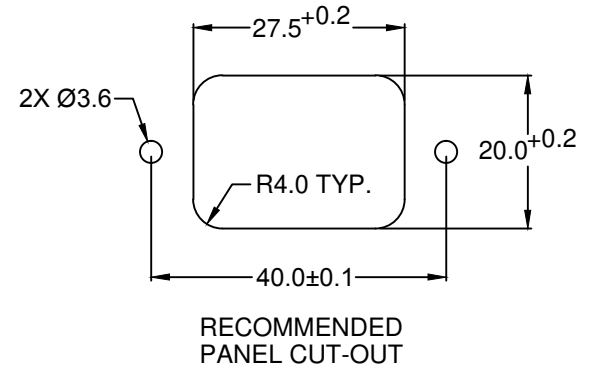
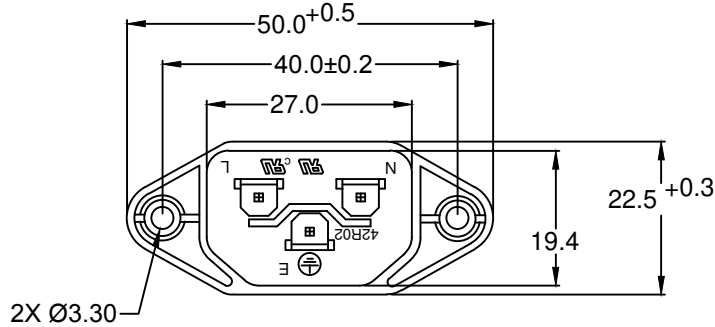
- 1 = .187(4.8)
- 2 = .250(6.3)

2 = COLOR

- 1 = BLACK
- 2 = GRAY

3 = ELECTRICAL CIRCUIT CONFIGURATION

- 1 = 15A 250V 120°C 
 2+GROUND (C16)
- 2 = 15A 250V 70°C 
 2+GROUND (C14)
- 4 = 15A 250V 70°C 
 2 POLE (C18)
- 5 = 15A 250V 155°C 
 2+GROUND (C16A)



**RoHS
 COMPLIANT**

TOLERANCE UNLESS OTHERWISE SPECIFIED	
X	± 1
X.X	± 0.4
X.XX	± 0.20
DRAWN BY	GQ
DATE:	8/6/01
CHECK BY	TD
DATE:	8/13/01
APPR BY	PB
DATE:	8/13/01

Power Dynamics, Inc.
 Phone: 973 560-0019 Whippany, New Jersey Fax: 973 560-0076
 PART: IEC 60320 APPL. INLET; QUICK CONNECT
 TERMINALS; SIDE FLANGE, PANEL MOUNT

42R02-4XXXE		SHEET 1 of 1
PART #:	42R02-4XXXE	REV: C
SIZE: A	ALL DIMENSIONS FOR REFERENCE ONLY DIMENSIONS ARE IN MILLIMETERS	
SCALE: NTS		

REVISIONS		CHNG	CHK	APPR
REV	DATE	CHANGE		
A	1/21/05	ADD RoHS	PB	
B	2/3/11	cRU was CSA	PB	
C	7/27/15	ADD C16A	PB	