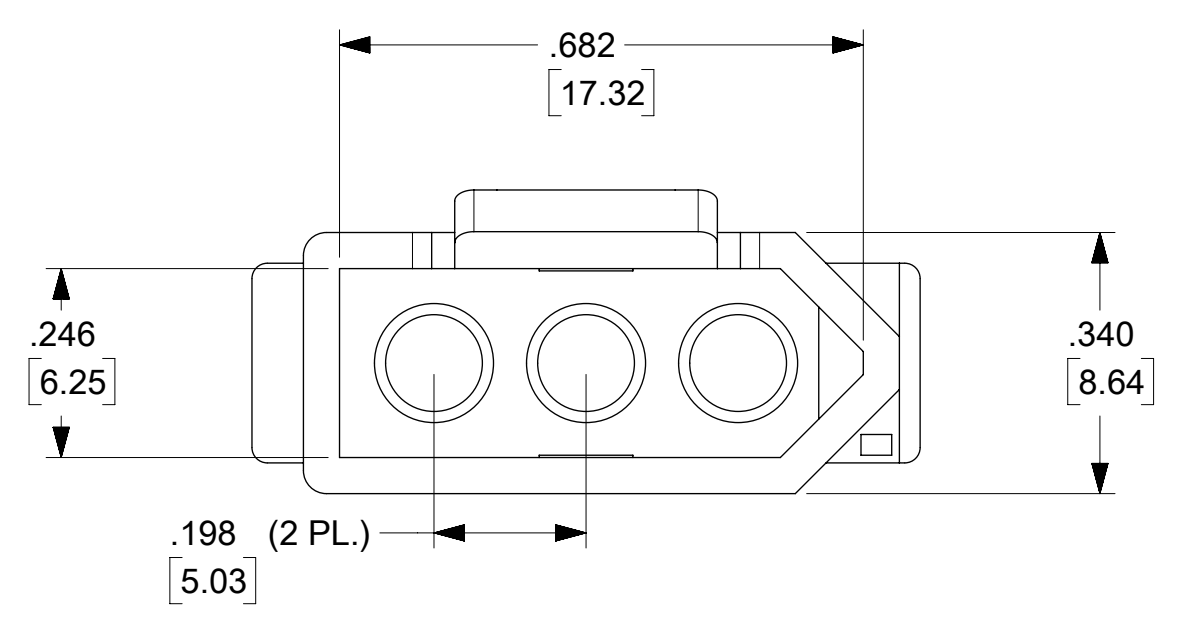
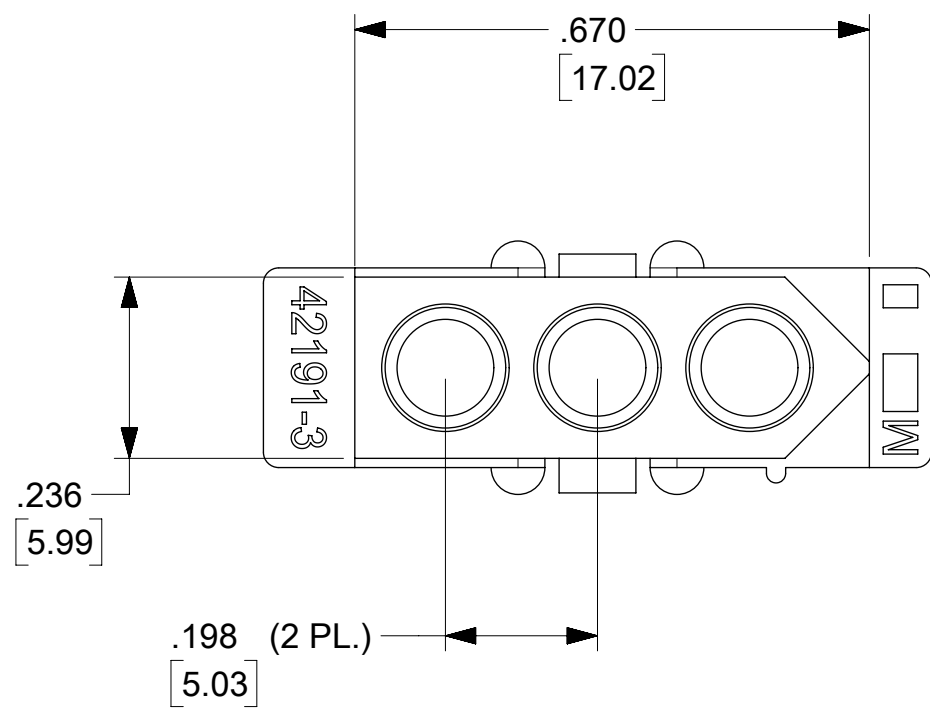
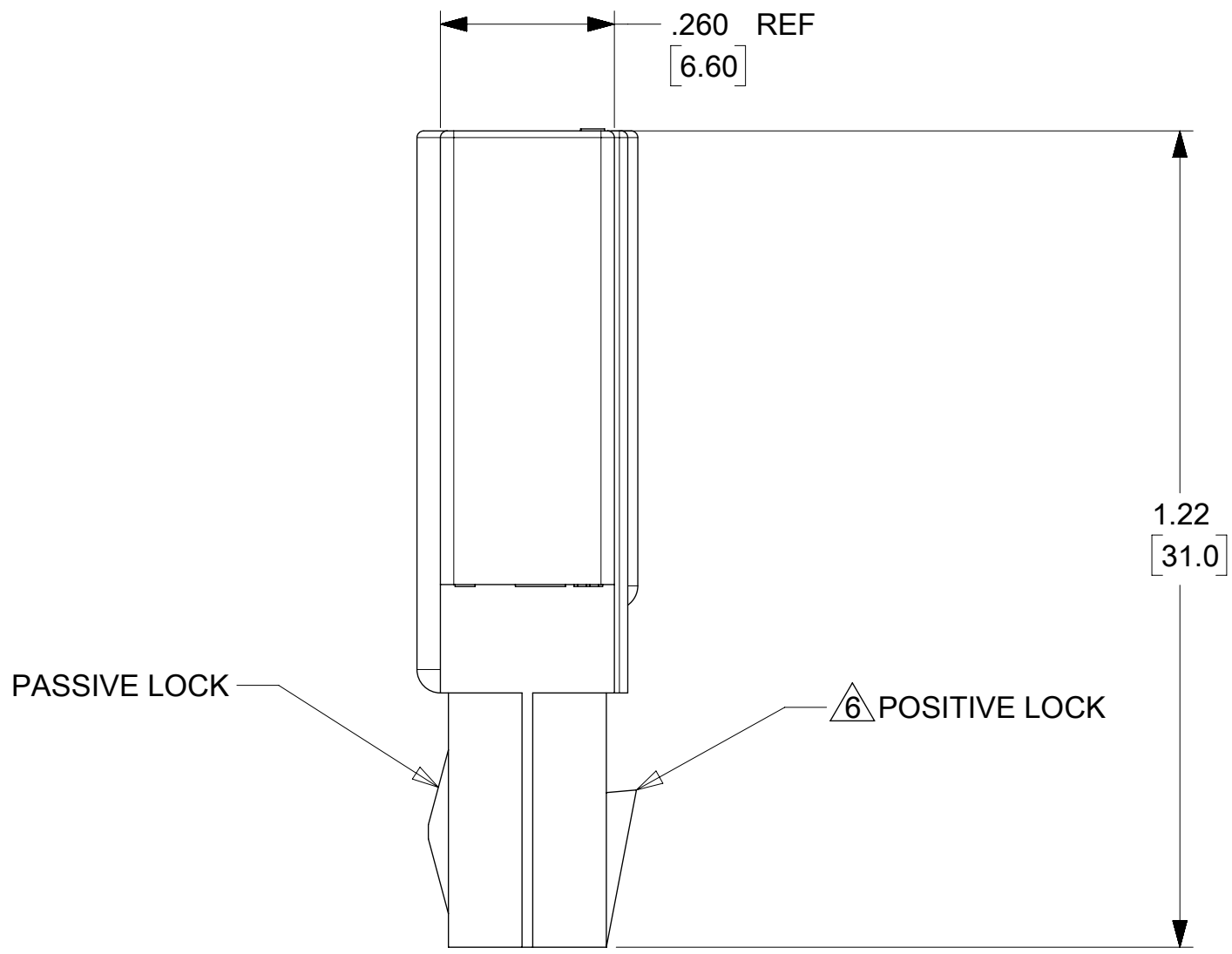
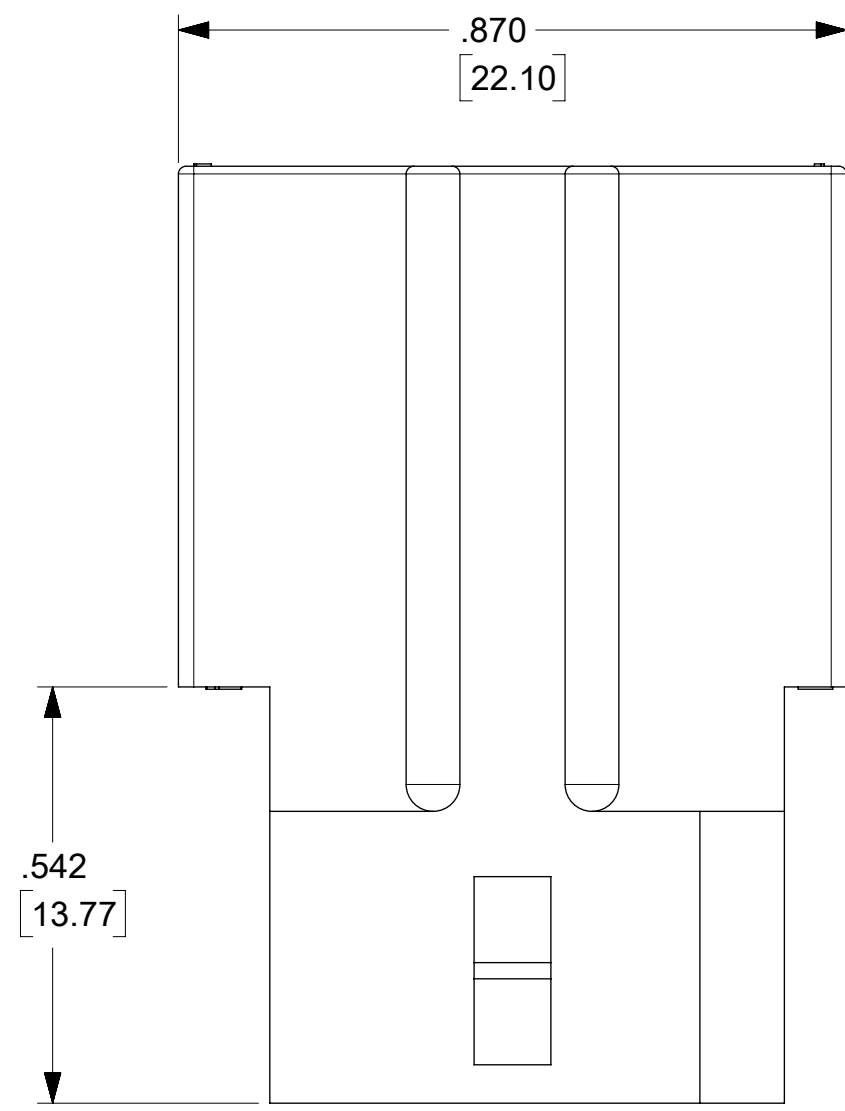
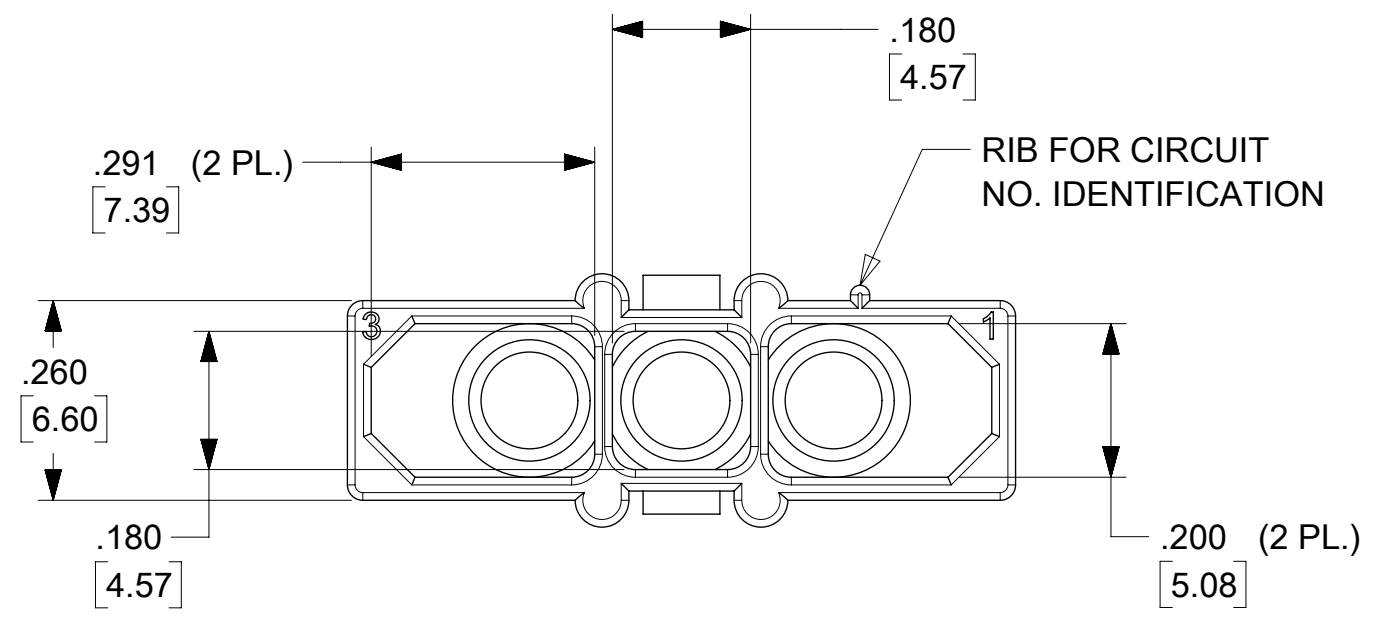


PLUG HOUSING



QUALITY SYMBOLS		THIS DRAWING CONTAINS INFORMATION THAT IS PROPRIETARY TO MOLEX ELECTRONIC TECHNOLOGIES, LLC AND SHOULD NOT BE USED WITHOUT WRITTEN PERMISSION				DIMENSION UNITS		SCALE			
▽ = 0	▽ = 0	GENERAL TOLERANCES (UNLESS SPECIFIED)		IN/MM	4:1	DRWN BY		DATE			
▽ = 0	▽ = 0	MM	INCH	AELHAG		12/17/2008		.093/(2.36) HOUSING PLUG AND RECEPTACLE 3 CIRCUIT			
▽ = 0	▽ = 0	4 PLACES ±	±	CHK'D BY		DATE					
▽ = 0	▽ = 0	3 PLACES ±	± .010	JBELL		12/17/2008		PRODUCT CUSTOMER DRAWING			
▽ = 0	▽ = 0	2 PLACES ±	± 0.25	APPR BY		DATE					
▽ = 0	▽ = 0	1 PLACES ±	± 0.36	FSMITH		2014/12/18		SERIES: 42191 MATERIAL NUMBER: SEE CHART CUSTOMER: GENERAL MARKET			
▽ = 0	▽ = 0	0 PLACES ±	±	DRAWING SIZE		THIRD ANGLE PROJECTION					
▽ = 0	▽ = 0	ANGULAR TOL = 1/2		C				DOCUMENT NUMBER: 421910300-SD DOC TYPE: PSD DOC PART: 000 SHEET NUMBER: 1 OF 3			
▽ = 0	▽ = 0	DRAFT WHERE APPLICABLE MUST REMAIN WITHIN DIMENSIONS									



RECEPTACLE HOUSING

QUALITY SYMBOLS ▽ = 0 ▽ = 0 ▽ = 0 ▽ = 0 ▽ = 0 ▽ = 0 ▽ = 0 ▽ = 0 ▽ = 0		THIS DRAWING CONTAINS INFORMATION THAT IS PROPRIETARY TO MOLEX ELECTRONIC TECHNOLOGIES, LLC AND SHOULD NOT BE USED WITHOUT WRITTEN PERMISSION		DIMENSION UNITS IN/MM		SCALE 4:1																						
ADD PK SPEC EC NO: 108502 DRWN: BAPPELDORN CHKD: MKIPPER REV APPR: FSMITH		GENERAL TOLERANCES (UNLESS SPECIFIED) <table border="1"> <tr> <th></th> <th>MM</th> <th>INCH</th> </tr> <tr> <td>4 PLACES</td> <td>±</td> <td>±</td> </tr> <tr> <td>3 PLACES</td> <td>±</td> <td>± .010</td> </tr> <tr> <td>2 PLACES</td> <td>± 0.25</td> <td>± .014</td> </tr> <tr> <td>1 PLACES</td> <td>± 0.36</td> <td>±</td> </tr> <tr> <td>0 PLACES</td> <td>±</td> <td>±</td> </tr> </table>			MM	INCH	4 PLACES				±	±	3 PLACES	±	± .010	2 PLACES	± 0.25	± .014	1 PLACES	± 0.36	±	0 PLACES	±	±	DRWN BY AELHAG		DATE 12/17/2008	
	MM	INCH																										
4 PLACES	±	±																										
3 PLACES	±	± .010																										
2 PLACES	± 0.25	± .014																										
1 PLACES	± 0.36	±																										
0 PLACES	±	±																										
ANGULAR TOL = 1/2		CHK'D BY JBELL		DATE 12/17/2008		PRODUCT CUSTOMER DRAWING																						
DRAFT WHERE APPLICABLE MUST REMAIN WITHIN DIMENSIONS		APPR BY FSMITH		DATE 2014/12/18					SERIES 42191	MATERIAL NUMBER SEE CHART		CUSTOMER GENERAL MARKET																
A		C		DRAWING SIZE C		THIRD ANGLE PROJECTION		DOCUMENT NUMBER 421910300-SD	DOC TYPE PSD	DOC PART 000	SHEET NUMBER 2 OF 3																	

