

MATERIAL NO.	ENGINEERING NO.	FINISHED LENGTH
1300080229	302002A01F030	3 FT. (0.91 M)
1300080234	302002A01F120	12 FT. (3.66 M)
1300080238	302002A01F200	20 FT. (6.10 M)

CABLE LENGTH TOLERANCES

<.3M [1FT]: +19mm-0 [+.75in-0]

.3 - .9M [1 - 3FT]: +44.5mm-0 [+1.75in-0]

.9 - 1.8M [3 - 6FT]: +55.6mm-0 [+2.19in-0]

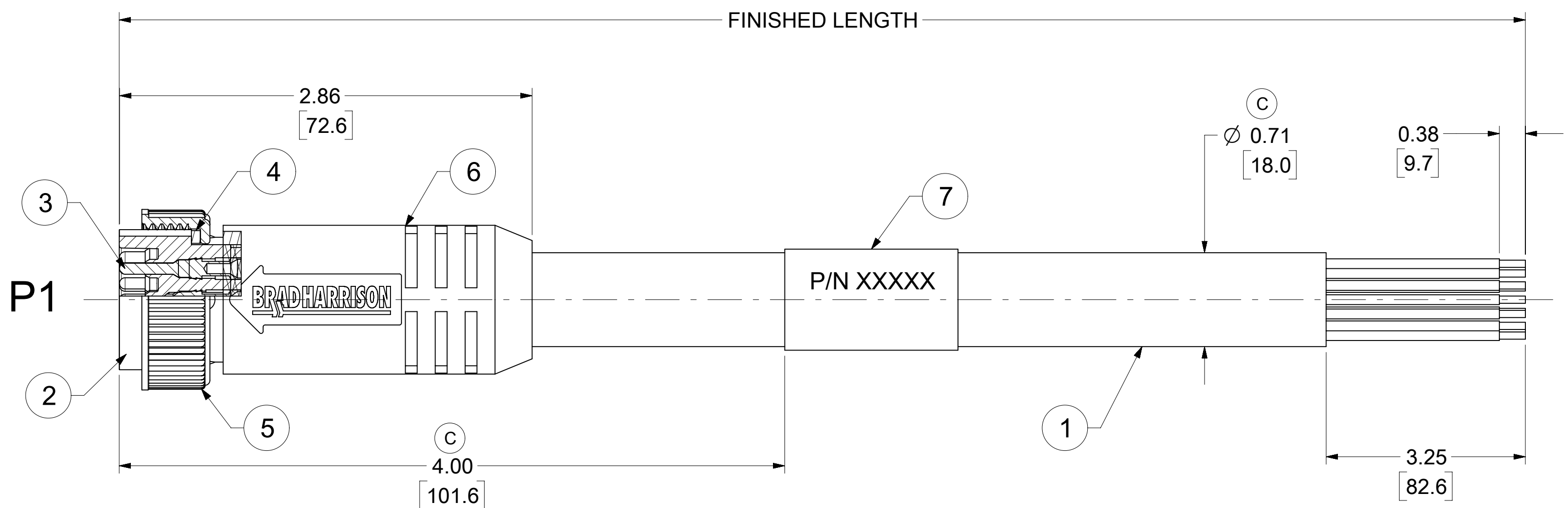
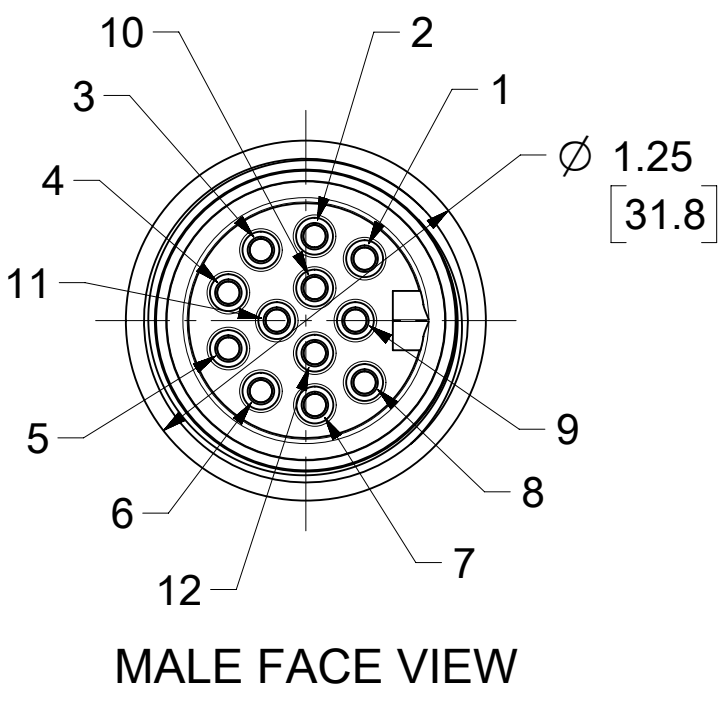
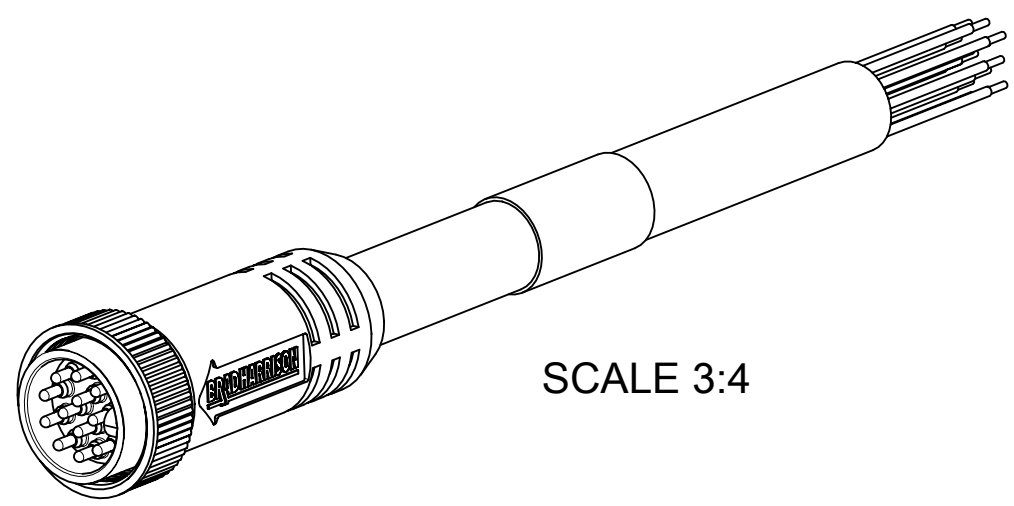
1.8 - 3.7M [6 - 12FT]: +88.9mm-0 [+3.50in-0]

3.7 - 7.3M [12 - 24FT]: +165.1mm-0 [+6.50in-0]

7.3-14.6M [24 - 48FT]: +317.5mm-0 [+12.50in-0]

14.6 - 30.5M [48-100FT]: +622.3mm-0 [+24.50in-0]

OVER 30M [100FT] +2% OF FINISHED LENGTH



- NOTES:**
- MATERIAL: AS NOTED
 - FINISH: AS NOTED
 - ELECTRICAL:
VOLTAGE: 320V PER IEC60664
600V PER UL2238
CURRENT: 5A
 - TEMP RATING: -20°C TO +105°C
 - PROTECTION: IP67 (WHEN MATED)
 - CSA CERTIFIED FILE: LR6837
 - UL RECOGNIZED FILE: E152210
 - COUPLING THREAD: 1 1/8"-16UN
 - ASSEMBLY IS ROHS COMPLIANT
 - ALL DIMS ARE FOR REFERENCE UNLESS TOLERANCED OR NOTED OTHERWISE

WIRING DIAGRAM

P1	Color
1	ORANGE
2	BLUE
3	WHITE/BLACK TRACE
4	RED/BLACK TRACE
5	GREEN/BLACK TRACE
6	ORANGE/BLACK TRACE
7	BLUE/BLACK TRACE
8	BLACK/WHITE TRACE
9	GREEN/YELLOW TRACE GND
10	RED
11	WHITE
12	BLACK

PART NUMBER MATRIX

302002A01F030

FINISHED LENGTH
F001= .1 FT
F020= 2 FT
F200= 20 FT

7	6	5	4	3	2	1
ITEM	DESCRIPTION	MATERIAL	FINISH			
7	LABEL	VINYL	BLACK/YELLOW			
6	OVERMOLD	TPE	YELLOW			
5	COUPLING NUT	ZINC DIE CAST	BLACK E-COAT			
4	FRICTION RING	NYLON	NATURAL			
3	PIN CONTACT	Cu ALLOY	GOLD OVER NICKEL			
2	INSERT, MALE, 12 POLE	TPE	YELLOW			
1	#16-12 CABLE,STOOW/ST	PVC JACKET	YELLOW			

THIS DRAWING CONTAINS INFORMATION THAT IS PROPRIETARY TO MOLEX ELECTRONIC TECHNOLOGIES, LLC AND SHOULD NOT BE USED WITHOUT WRITTEN PERMISSION

DIMENSION UNITS	SCALE	CURRENT REV DESC: UPDATED ITEM #2.6.7, LABEL DIM. AND MATERIAL P/N TABLE . ADDED CSA, UL, IEC VOLT, TEMP RATING, IP RATING, TOL. CHART, PART NUMBER MATRIX AND CABLE DIA.			
INCH/MM	1.5:1				
GENERAL TOLERANCES (UNLESS SPECIFIED)		EC NO: 673727	MINI-CHANGE CORDSET, C SIZE 12 POLE, MALE, STRAIGHT, SINGLE KEY, 16AWG		
4 PLACES	±	DRWN: AKABADI	PRODUCT CUSTOMER DRAWING		
3 PLACES	±	2021/06/24	DOCUMENT NUMBER		
2 PLACES	±	2021/08/13	SD-130008-012		
1 PLACE	±	2021/08/27	DOC TYPE DOC PART REVISION		
0 PLACES	±		PSD 001 C		
ANGULAR TOL	± 0.5 °	INITIAL REVISION:	MATERIAL NUMBER		
DRAFT WHERE APPLICABLE MUST REMAIN WITHIN DIMENSIONS		DRWN: BRUPERT	CUSTOMER		
		2009/08/24	SEE TABLE		
		2009/08/27	GENERAL MARKET		
		THIRD ANGLE PROJECTION	SHEET NUMBER		
		DRAWING	1 OF 1		
		C-SIZE			
		SERIES			
		130008			