

KA5x0165Rxx-SERIES

KA5H0165R/RN, KA5M0165R/RN, KA5L0165R/RN,
KA5H0165RVN

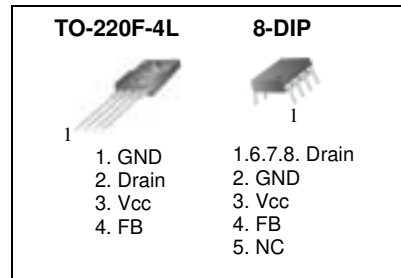
Fairchild Power Switch(FPS)

Features

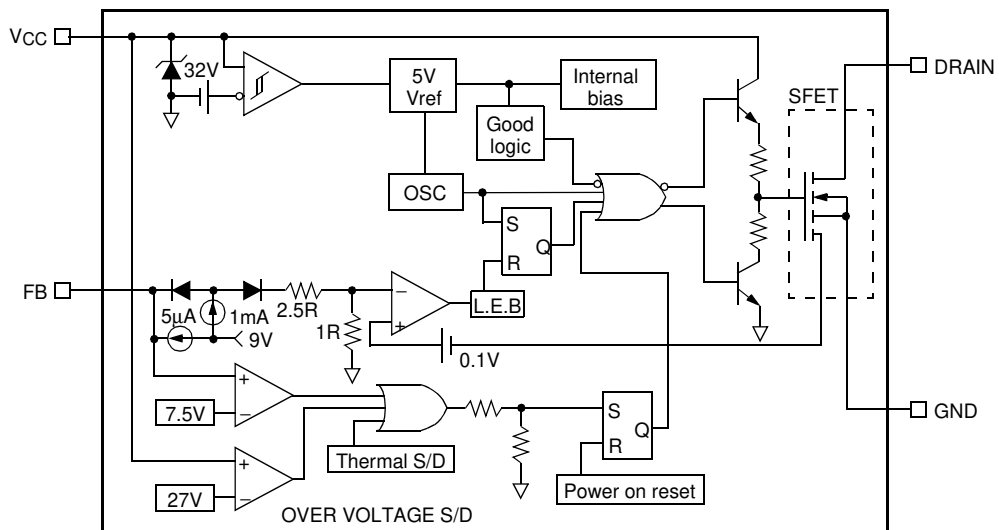
- Precision Fixed Operating Frequency (100/67/50kHz)
- Low Start-up Current (Typ. 100uA)
- Pulse by Pulse Current Limiting
- Over Load Protection
- Over Voltage Protection (Min. 25V)
 - except KA5H0165RVN
- Internal Thermal Shutdown Function
- Under Voltage Lockout
- Internal High Voltage Sense FET
- Auto-Restart Mode

Description

The Fairchild Power Switch(FPS) product family is specially designed for an off-line SMPS with minimal external components. The Fairchild Power Switch(FPS) consist of high voltage power SenseFET and current mode PWM IC. Included PWM controller features integrated fixed oscillator, under voltage lock out, leading edge blanking, optimized gate turn-on/turn-off driver, thermal shut down protection, over voltage protection, and temperature compensated precision current sources for loop compensation and fault protection circuitry compared to discrete MOSFET and controller or RCC switching converter solution, The Fairchild Power Switch(FPS) can reduce total component count, design size, weight and at the same time increase efficiency, productivity, and system reliability. It is well suited for cost effective design of flyback converters.



Internal Block Diagram



Absolute Maximum Ratings

(Ta=25°C, unless otherwise specified)

| Characteristic | Symbol | Value | Unit |
|---|----------|-------------|------|
| Drain-Gate Voltage (RGS=1MΩ) | VDGR | 650 | V |
| Gate-Source (GND) Voltage | VGS | ±30 | V |
| Drain Current Pulsed ⁽¹⁾ | IDM | 4.0 | ADC |
| Continuous Drain Current (TC=25°C) | ID | 1.0 | ADC |
| Continuous Drain Current (TC=100°C) | ID | 0.7 | ADC |
| Single Pulsed Avalanche Energy ⁽²⁾ | EAS | 95 | mJ |
| Maximum Supply Voltage | VCC,MAX | 30 | V |
| Analog Input Voltage Range | VFB | -0.3 to VSD | V |
| Total Power Dissipation | PD | 40 | W |
| | Derating | 0.32 | W/°C |
| Operating Junction Temperature. | TJ | +160 | °C |
| Operating Ambient Temperature. | TA | -25 to +85 | °C |
| Storage Temperature Range. | TSTG | -55 to +150 | °C |

Note:

1. Repetitive rating: Pulse width limited by maximum junction temperature
2. L=24mH, starting Tj=25°C

Electrical Characteristics (SFET Part)

(Ta=25°C unless otherwise specified)

| Parameter | Symbol | Condition | Min. | Typ. | Max. | Unit |
|---|---------------------|--|------|------|------|------|
| Drain-Source Breakdown Voltage | BVDSS | V _{GS} =0V, I _D =50μA | 650 | - | - | V |
| Zero Gate Voltage Drain Current | I _{DSS} | V _{DS} =Max. Rating, V _{GS} =0V | - | - | 50 | μA |
| | | V _{DS} =0.8Max. Rating, V _{GS} =0V, T _C =125°C | - | - | 200 | μA |
| Static Drain-Source on Resistance ^(Note) | R _{DS(ON)} | V _{GS} =10V, I _D =0.5A | - | 8 | 10 | Ω |
| Forward Transconductance ^(Note) | g _{fs} | V _{DS} =50V, I _D =0.5A | 0.5 | - | - | S |
| Input Capacitance | C _{iss} | V _{GS} =0V, V _{DS} =25V, f=1MHz | - | 250 | - | pF |
| Output Capacitance | C _{oss} | | - | 25 | - | |
| Reverse Transfer Capacitance | C _{rss} | | - | 10 | - | |
| Turn on Delay Time | t _{d(on)} | V _{DD} =0.5B V _{DSS} , I _D =1.0A (MOSFET switching time is essentially independent of operating temperature) | - | 12 | - | nS |
| Rise Time | t _r | | - | 4 | - | |
| Turn Off Delay Time | t _{d(off)} | | - | 30 | - | |
| Fall Time | t _f | | - | 10 | - | |
| Total Gate Charge (Gate-Source+Gate-Drain) | Q _g | V _{GS} =10V, I _D =1.0A, V _{DS} =0.5B V _{DSS} (MOSFET switching time is essentially independent of operating temperature) | - | - | 21 | nC |
| Gate-Source Charge | Q _{gs} | | - | 3 | - | |
| Gate-Drain (Miller) Charge | Q _{gd} | | - | 9 | - | |

Note:

1. Pulse test: Pulse width ≤ 300μS, duty cycle ≤ 2%

2. $S = \frac{1}{R}$

Electrical Characteristics (Control Part) (Continued)

(Ta=25°C unless otherwise specified)

| Parameter | Symbol | Condition | Min. | Typ. | Max. | Unit |
|--|---------------------|--------------------------|------|------|------|-------|
| UVLO SECTION | | | | | | |
| Start Threshold Voltage | VSTART | VFB=GND | 14 | 15 | 16 | V |
| Stop Threshold Voltage | VSTOP | VFB=GND | 8.2 | 8.8 | 9.4 | V |
| OSCILLATOR SECTION | | | | | | |
| Initial Accuracy | FOSC | KA5H0165Rxx | 90 | 100 | 110 | kHz |
| Initial Accuracy | FOSC | KA5M0165Rx | 61 | 67 | 73 | kHz |
| Initial Accuracy | FOSC | KA5L0165Rx | 45 | 50 | 55 | kHz |
| Frequency Change With Temperature ⁽²⁾ | $\Delta F/\Delta T$ | -25°C ≤ Ta ≤ +85°C | - | ±5 | ±10 | % |
| Maximum Duty Cycle | Dmax | KA5H0165Rxx | 62 | 67 | 72 | % |
| Maximum Duty Cycle | Dmax | KA5M0165Rx KA5L0165Rx | 72 | 77 | 82 | % |
| FEEDBACK SECTION | | | | | | |
| Feedback Source Current | IFB | Ta=25°C, 0V ≤ Vfb ≤ 3V | 0.7 | 0.9 | 1.1 | mA |
| Shutdown Feedback Voltage | VSD | Vfb ≥ 6.5V | 6.9 | 7.5 | 8.1 | V |
| Shutdown Delay Current | Idelay | Ta=25°C, 3V ≤ Vfb ≤ VSD | 4 | 5 | 6 | μA |
| REFERENCE SECTION | | | | | | |
| Output Voltage ⁽¹⁾ | Vref | Ta=25°C | 4.80 | 5.00 | 5.20 | V |
| Temperature Stability ⁽¹⁾⁽²⁾ | Vref/ΔT | -25°C ≤ Ta ≤ +85°C | - | 0.3 | 0.6 | mV/°C |
| CURRENT LIMIT(SELF-PROTECTION)SECTION | | | | | | |
| Peak Current Limit | IOVER | Max. inductor current | 0.53 | 0.6 | 0.67 | A |
| PROTECTION SECTION | | | | | | |
| Thermal Shutdown Temperature ⁽¹⁾ | TSD | - | 140 | 160 | - | °C |
| Over Voltage Protection | VOVP | except KA5H0165RVN | 25 | 27 | 29 | V |
| TOTAL STANDBY CURRENT SECTION | | | | | | |
| Start-up Current | ISTART | VCC=14V | - | 100 | 170 | μA |
| Operating Supply Current (Control Part Only) | IOP | VCC ≤ 28 | - | 7 | 12 | mA |

Note:

1. These parameters, although guaranteed, are not 100% tested in production
2. These parameters, although guaranteed, are tested in EDS (wafer test) process

Typical Performance Characteristics

(These characteristic graphs are normalized at $T_a=25^\circ\text{C}$)

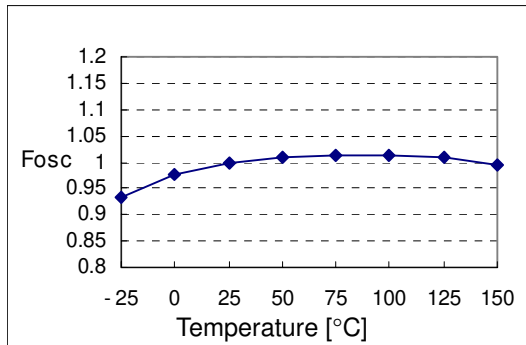


Figure 1. Operating Frequency

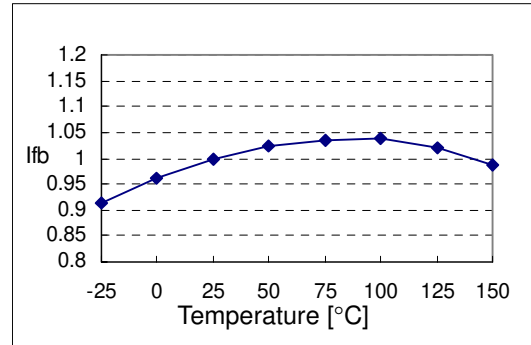


Figure 2. Feedback Source Current

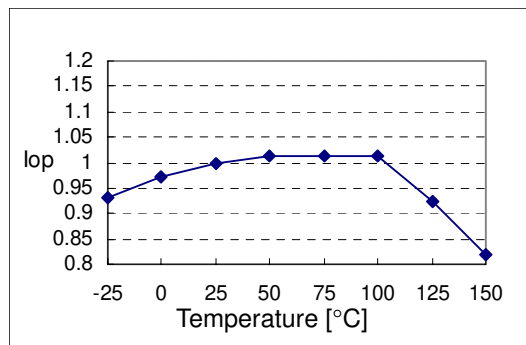


Figure 3. Operating Supply Current

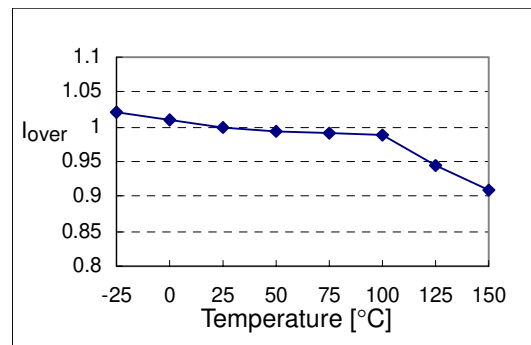


Figure 4. Peak Current Limit

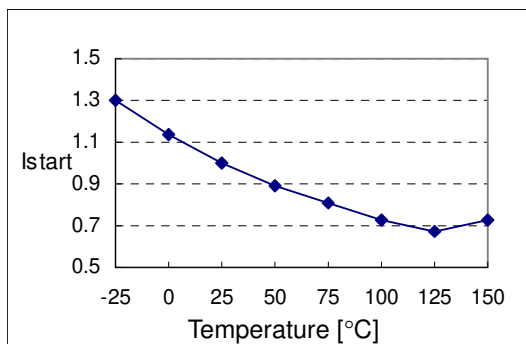


Figure 5. Start up Current

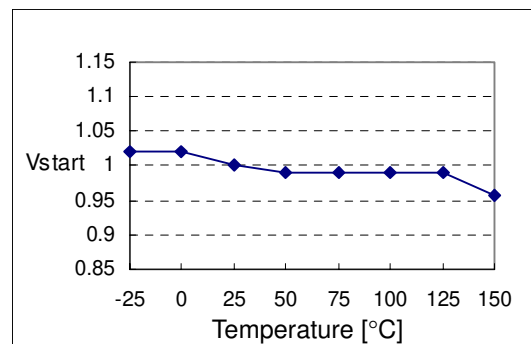


Figure 6. Start Threshold Voltage

Typical Performance Characteristics (Continued)

(These characteristic graphs are normalized at $T_a=25^\circ\text{C}$)

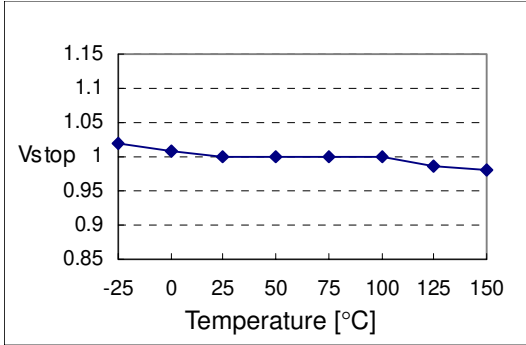


Figure 7. Stop Threshold Voltage

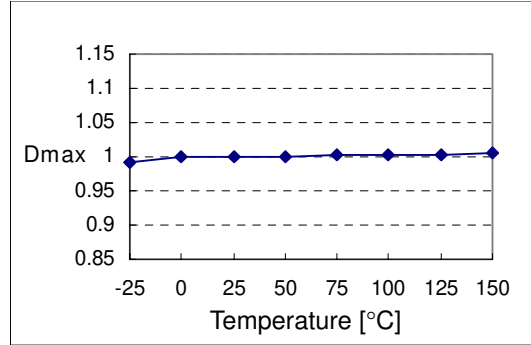


Figure 8. Maximum Duty Cycle

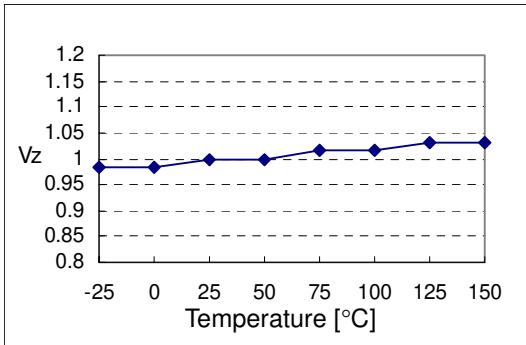


Figure 9. VCC Zener Voltage

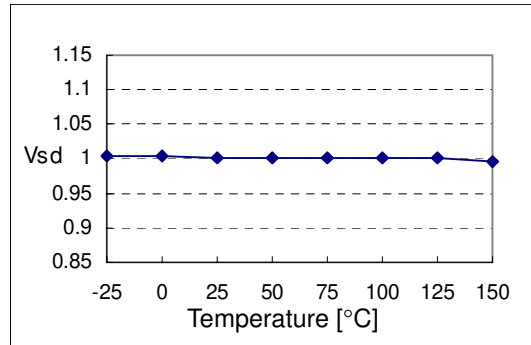


Figure 10. Shutdown Feedback Voltage

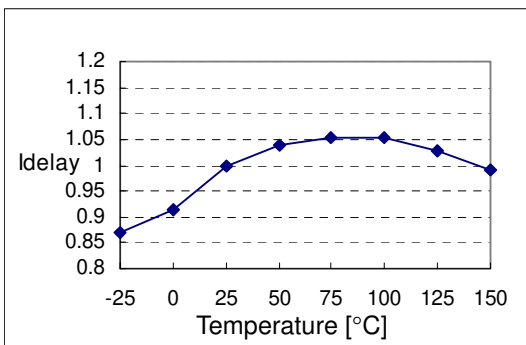


Figure 11. Shutdown Delay Current

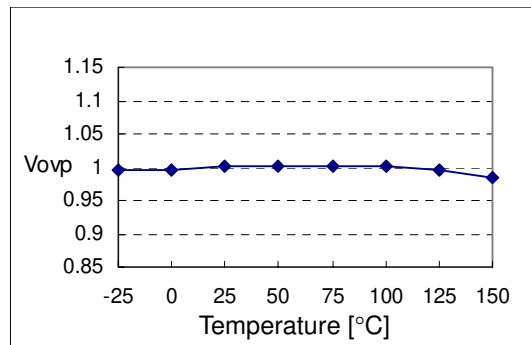


Figure 12. Over Voltage Protection

Typical Performance Characteristics (Continued)

(These characteristic graphs are normalized at $T_a=25^\circ\text{C}$)

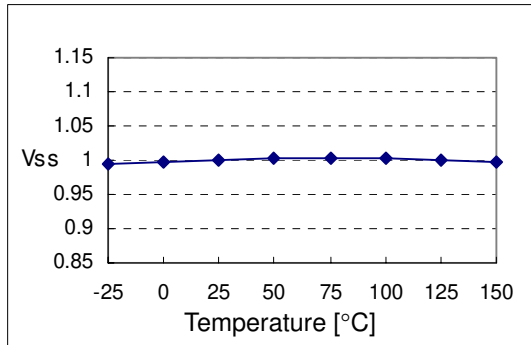


Figure 13. Soft Start Voltage

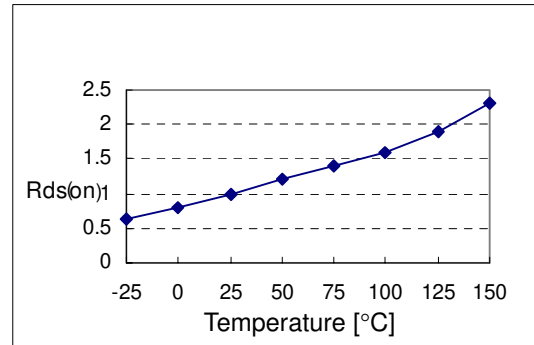
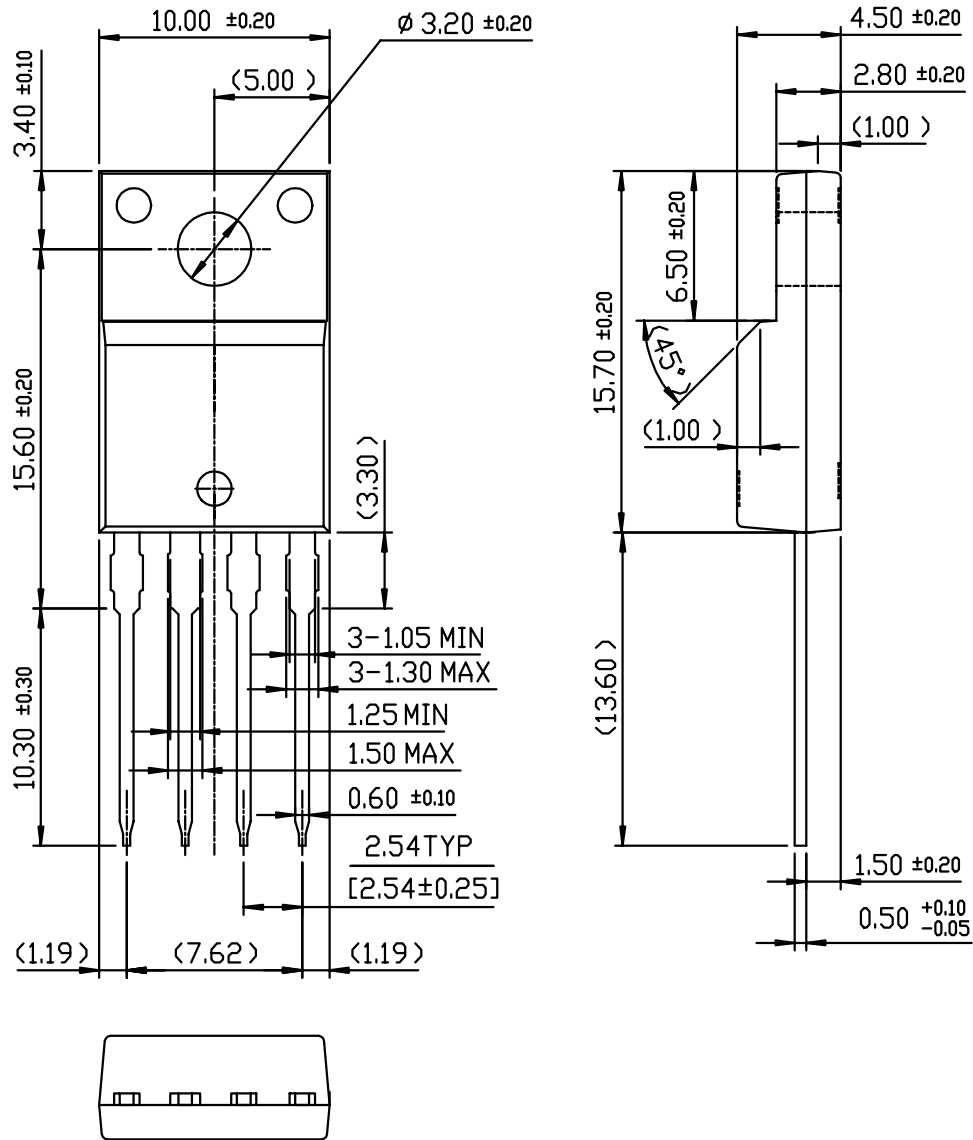


Figure 14. Static Drain-Source on Resistance

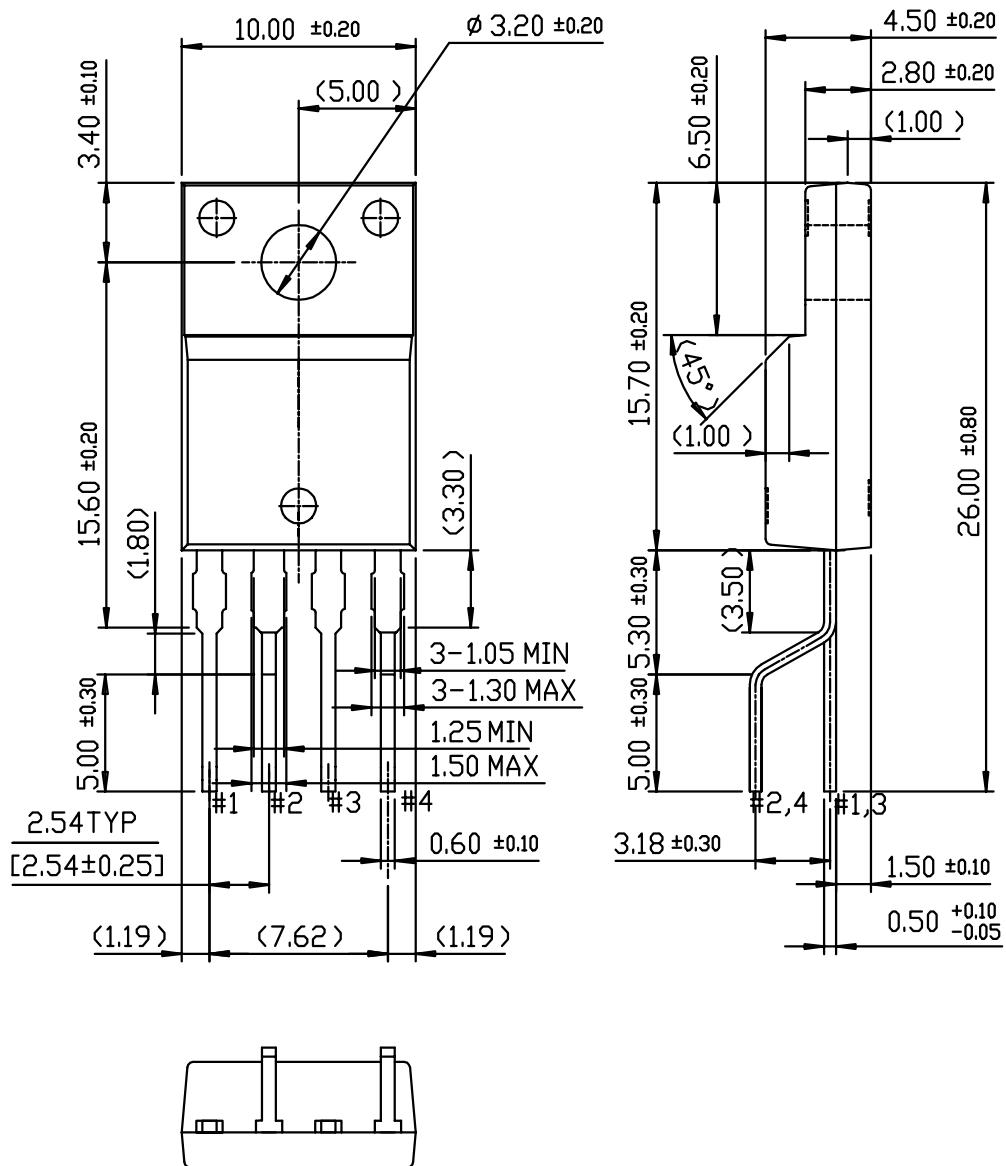
Package Dimensions

TO-220F-4L



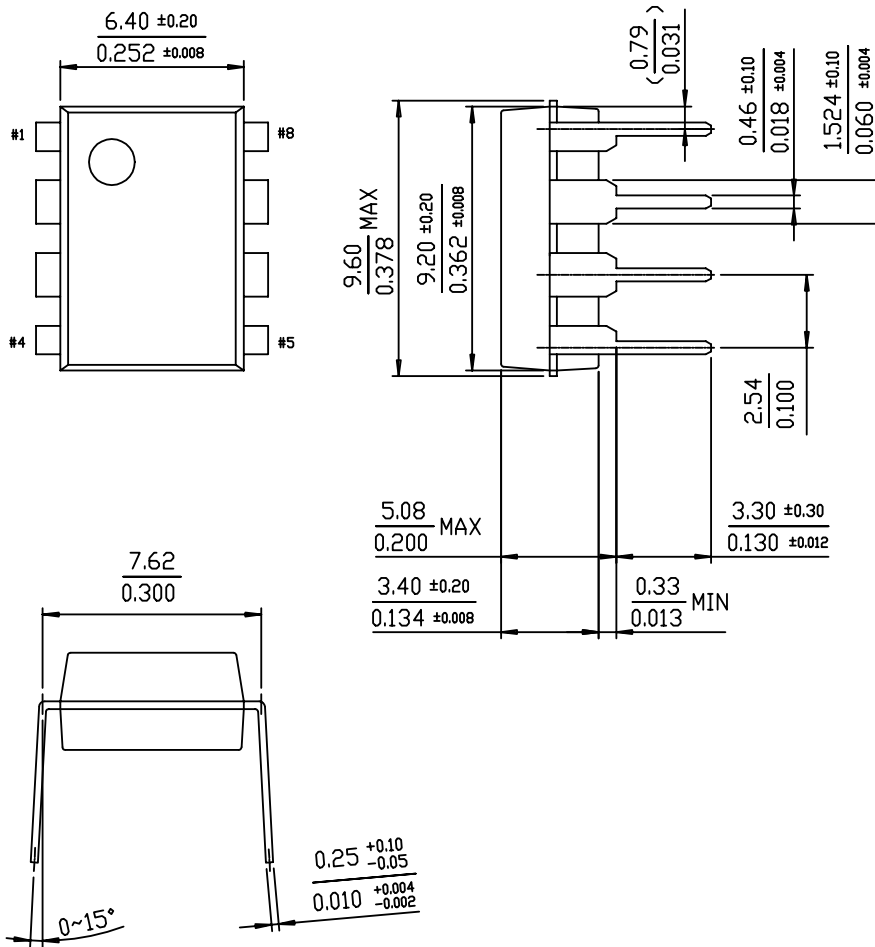
Package Dimensions (Continued)

TO-220F-4L(Forming)



Package Dimensions (Continued)

8-DIP



Ordering Information

| Product Number | Package | Marking Code | BV _{DSS} | FOSC | RDS(on) |
|----------------|---------------------|--------------|-------------------|--------|---------|
| KA5H0165RTU | TO-220F-4L | 5H0165R | 650V | 100kHz | 8Ω |
| KA5H0165RYDTU | TO-220F-4L(Forming) | | | | |
| KA5M0165RTU | TO-220F-4L | 5M0165R | 650V | 67kHz | 8Ω |
| KA5M0165RYDTU | TO-220F-4L(Forming) | | | | |
| KA5L0165RTU | TO-220F-4L | 5L0165R | 650V | 50kHz | 8Ω |
| KA5L0165RYDTU | TO-220F-4L(Forming) | | | | |
| KA5H0165RN | 8-DIP | 5H0165R | 650V | 100kHz | 8Ω |
| KA5M0165RN | 8-DIP | 5M0165R | 650V | 67kHz | 8Ω |
| KA5L0165RN | 8-DIP | 5L0165R | 650V | 50kHz | 8Ω |

| Product Number | Package | Marking Code | BV _{DSS} | FOSC | RDS(on) |
|----------------|---------|--------------|-------------------|--------|---------|
| KA5H0165RVN | 8-DIP | 5H0165RV | 650V | 100kHz | 8Ω |

TU : Non Forming Type

YDTU : Forming Type

DISCLAIMER

FAIRCHILD SEMICONDUCTOR RESERVES THE RIGHT TO MAKE CHANGES WITHOUT FURTHER NOTICE TO ANY PRODUCTS HEREIN TO IMPROVE RELIABILITY, FUNCTION OR DESIGN. FAIRCHILD DOES NOT ASSUME ANY LIABILITY ARISING OUT OF THE APPLICATION OR USE OF ANY PRODUCT OR CIRCUIT DESCRIBED HEREIN; NEITHER DOES IT CONVEY ANY LICENSE UNDER ITS PATENT RIGHTS, NOR THE RIGHTS OF OTHERS.

LIFE SUPPORT POLICY

FAIRCHILD'S PRODUCTS ARE NOT AUTHORIZED FOR USE AS CRITICAL COMPONENTS IN LIFE SUPPORT DEVICES OR SYSTEMS WITHOUT THE EXPRESS WRITTEN APPROVAL OF THE PRESIDENT OF FAIRCHILD SEMICONDUCTOR CORPORATION. As used herein:

1. Life support devices or systems are devices or systems which, (a) are intended for surgical implant into the body, or (b) support or sustain life, and (c) whose failure to perform when properly used in accordance with instructions for use provided in the labeling, can be reasonably expected to result in a significant injury of the user.
2. A critical component in any component of a life support device or system whose failure to perform can be reasonably expected to cause the failure of the life support device or system, or to affect its safety or effectiveness.