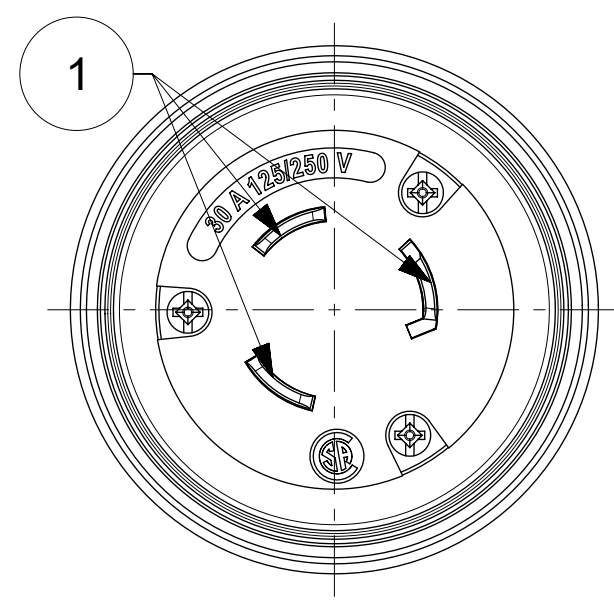
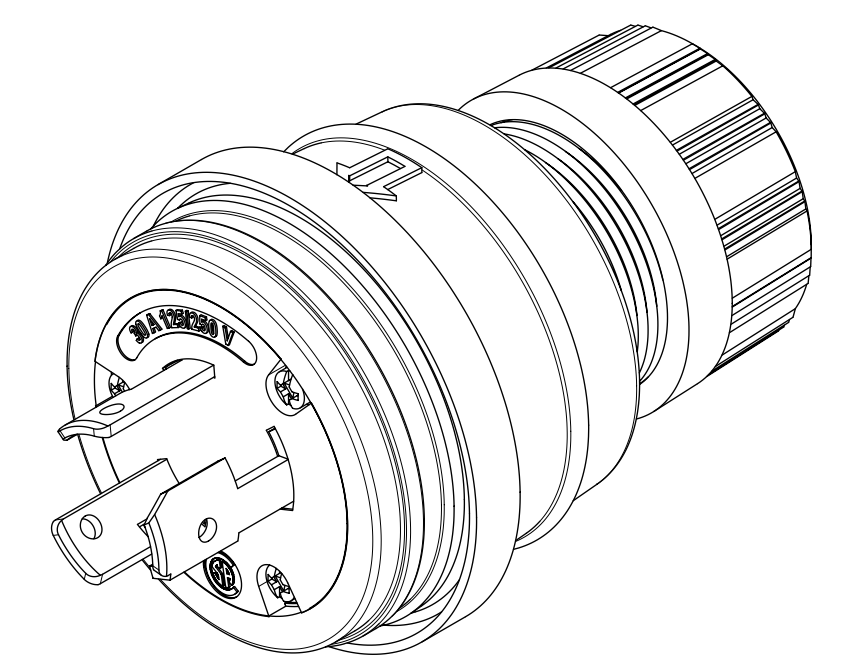
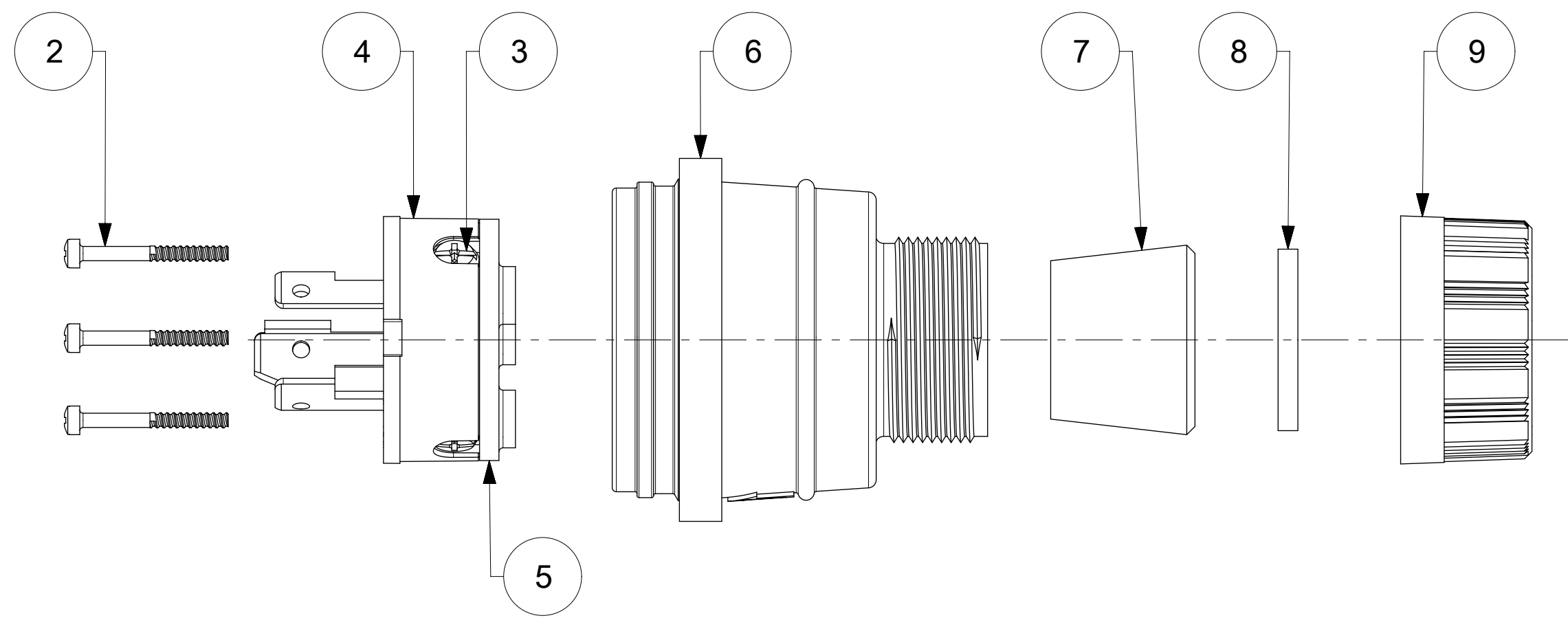
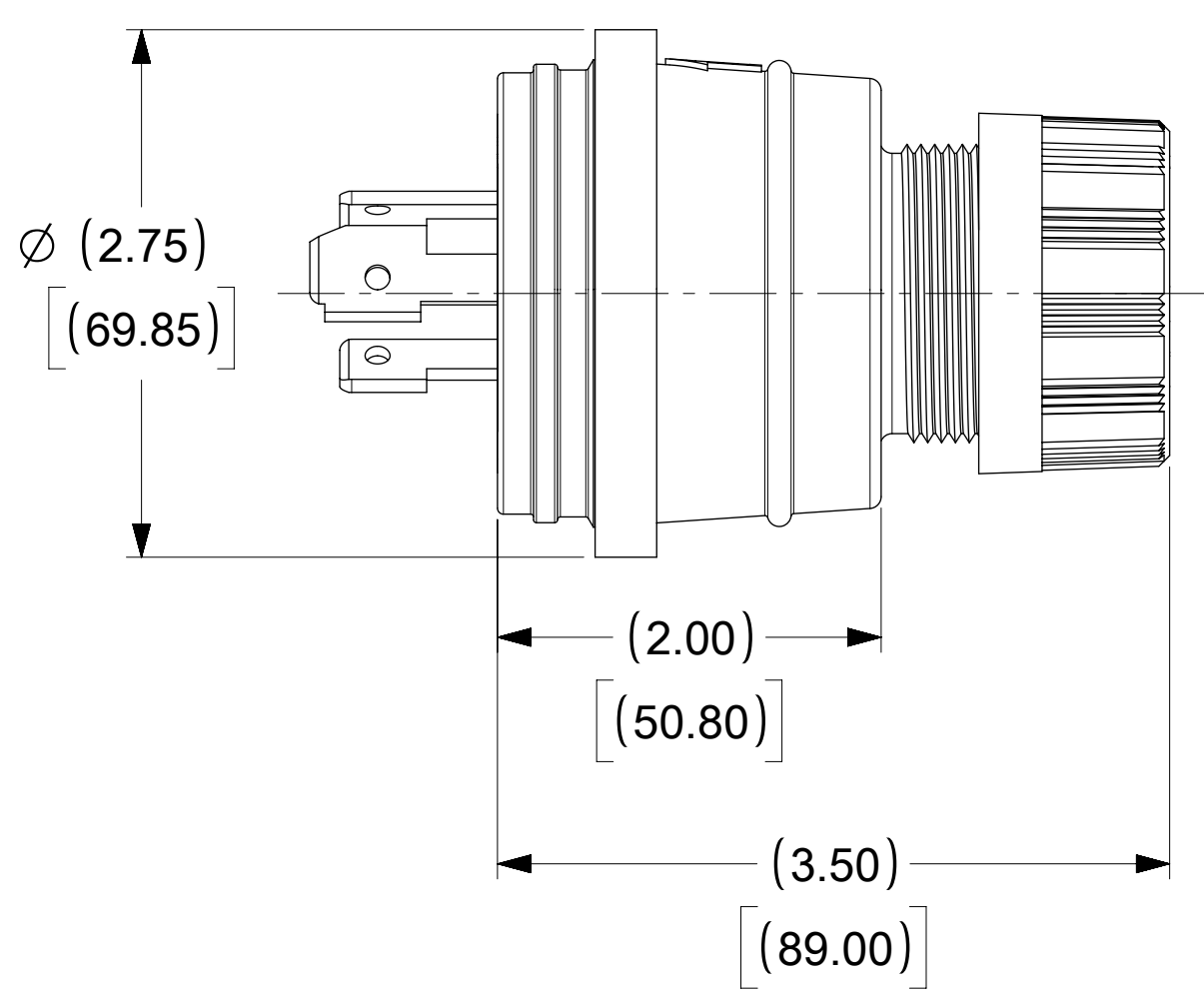


ORDER NO.	WOODHEAD NO.	COLOR
130147-0272	28W08-P	YELLOW



FACE VIEW



ITEM NO.	DESCRIPTIONS	MATERIAL	QTY.
1	BLADE	BRASS, NICKEL PLATED	3
2	RETAINING SCREWS	STAINLESS STEEL	3
3	CLAMP AND TERMINAL SCREW ASSY	BRASS, ZINC PLATED	3
4	INSERT	NYLON	1
5	TERMINAL COVER	POLYCARBONATE	1
6	HOUSING	SILICON WITH NYLON THREAD	1
7	GROMMET	RUBBER	1
8	FRICTION RING	NYLON	1
9	COMPRESSION NUT	NYLON	1

SYMBOLS		THIS DRAWING CONTAINS INFORMATION THAT IS PROPRIETARY TO MOLEX ELECTRONIC TECHNOLOGIES, LLC AND SHOULD NOT BE USED WITHOUT WRITTEN PERMISSION	
$\nabla = 0$	DIMENSION UNITS	SCALE	CURRENT REV DESC: RELEASED
$\nabla = 0$	INCH[MM]	NTS	
$\nabla = 0$	GENERAL TOLERANCES (UNLESS SPECIFIED)		molex WATERTITE CONNECTOR TURNEX 3P3W NON-NEMA
$\nabla = 0$	ANGULAR TOL	\pm °	
$\nabla = 0$	4 PLACES	\pm	EC NO: 614291
$\nabla = 0$	3 PLACES	\pm	DRWN: DSOPPIN 2018/12/19
$\nabla = 0$	2 PLACES	\pm	CHK'D: DNGUYEN62 2019/03/28
$\nabla = 0$	1 PLACE	\pm	APPR: HKNEELAND 2019/03/30
$\nabla = 0$	0 PLACES	\pm	INITIAL REVISION:
$\nabla = 0$	DRAFT WHERE APPLICABLE MUST REMAIN WITHIN DIMENSIONS		DRWN: DSOPPIN 2018/12/19
$\nabla = 0$	THIRD ANGLE PROJECTION		APPR: HKNEELAND 2019/03/30
$\nabla = 0$	DRAWING		DOCUMENT NUMBER
$\nabla = 0$	C-SIZE		1301470272
$\nabla = 0$	SERIES		DOC TYPE
$\nabla = 0$	130147		PSD
$\nabla = 0$	MATERIAL NUMBER		DOC PART
$\nabla = 0$	SEE TABLE		000
$\nabla = 0$	CUSTOMER		REVISION
$\nabla = 0$	GENERAL MARKET		A
$\nabla = 0$	SHEET NUMBER		1 OF 1